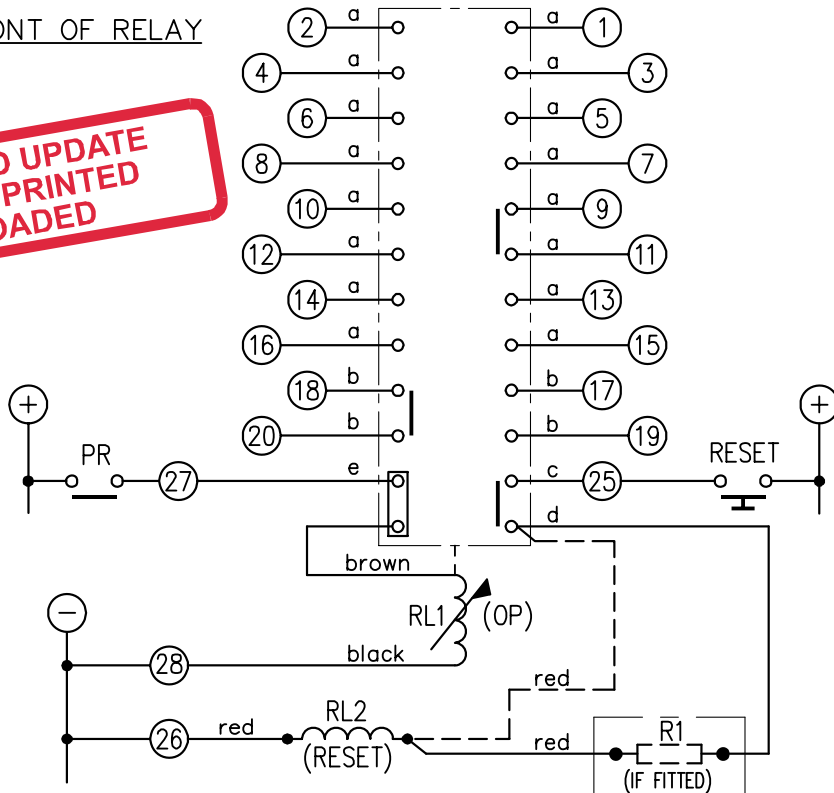


LOOKING ON FRONT OF RELAY

**NOT SUBJECT TO UPDATE  
ONCE COPIED / PRINTED  
OR DOWNLOADED**



**PRINTED ON 03/06/2011  
ENSURE CORRECT REVISION  
DESTROY AFTER USE**

2112W50120

| ASSEMBLY WIRES USED |            |        |
|---------------------|------------|--------|
| a                   | 2107B10001 | 16 OFF |
| b                   | 2107B10002 | 4 OFF  |
| c                   | 2107B10003 | 1 OFF  |
| d                   | 2107B10004 | 1 OFF  |
| e                   | 2107D10164 | 1 OFF  |

| RL2 (RESET) KIT | SOLKIT:6V  | SOLKIT:6V            | SOLKIT:6V            | SOLKIT:12V           | SOLKIT:36V | SOLKIT:36V            |
|-----------------|------------|----------------------|----------------------|----------------------|------------|-----------------------|
| RL1 (OP) COIL   | 2112G20013 | 2112G20014           | 2112G20016           | 2112G20017           | 2112G20020 | 2112G20023            |
| R1              | NIL        | 1X6R8 2102C15687 W21 | 1X18R 2102C25180 W22 | 1X27R 2102C15270 W21 | NIL        | 1X470R 2102C15471 W21 |
| Vdc             | 24         | 30                   | 48                   | 60                   | 125        | 240                   |

| KEY | CONTACT CONFIG. | OUTPUT CONTACT PAIR / TERMINAL No. |     |     |     |      |       |       |       |       |       |   |   |   |
|-----|-----------------|------------------------------------|-----|-----|-----|------|-------|-------|-------|-------|-------|---|---|---|
|     |                 | 1-3                                | 2-4 | 5-7 | 6-8 | 9-11 | 10-12 | 13-15 | 14-16 | 17-19 | 18-20 |   |   |   |
| ⊖⊖  | 10M             | M                                  | M   | M   | M   | M    | M     | M     | M     | M     | M     | M | M | M |
| ⊖⊖  | 9M 1B           | M                                  | B   | M   | M   | M    | M     | M     | M     | M     | M     | M | M | M |
| ⊖⊖  | 8M 2B           | B                                  | B   | M   | M   | M    | M     | M     | M     | M     | M     | M | M | M |
| ⊖⊖  | 7M 3B           | B                                  | B   | M   | B   | M    | M     | M     | M     | M     | M     | M | M | M |
| ⊖⊖  | 6M 4B           | B                                  | B   | B   | B   | M    | M     | M     | M     | M     | M     | M | M | M |
| ⊖⊖  | 5M 5B           | B                                  | B   | B   | B   | M    | B     | M     | M     | M     | M     | M | M | M |
| ⊖⊖  | 4M 6B           | B                                  | B   | M   | B   | M    | M     | B     | B     | B     | B     | M | M | M |
| ⊖⊖  | 3M 7B           | B                                  | B   | B   | B   | M    | M     | B     | B     | B     | B     | M | M | M |
| ⊖⊖  | 2M 8B           | B                                  | B   | B   | B   | M    | B     | B     | B     | B     | B     | M | M | M |

NOTE:  
 1. CONTACT CONFIGURATION ABOVE IS REQUIRED FOR RELAY OPERATION. FOR DETAILS OF VARIABLE CONTACT OPTIONS SEE TABLE OPPOSITE.  
 2. RESISTOR R1 IS FITTED ONLY WHEN REQUIRED. SEE TABLE ABOVE.  
 3. DASHED LINE --- SHOWS CONNECTIONS WHEN RESISTORS ARE NOT FITTED.

FRAME REFERENCE: E2FAQM.  
 FRAME TERMINAL BLOCK ASSY: -  
 ASSEMBLY INSTRUCTIONS: -  
 TYPICAL ASSEMBLY DRAWING 2995G10032.  
 AT INDICATED POSITIONS FIT AS FOLLOWS:  
 T - FIT TRIP ISOLATION CONTACT 2995B10053  
 S - FIT STANDARD CONTACT 2995B10054  
 SECURE CONTACTS USING FIXING SCREW 2109F99009.  
 POSITIONS SHOWN BLANK ARE UNUSED

|    |   |   |    |
|----|---|---|----|
| 2  | T | T | 1  |
| 4  | T | T | 3  |
| 6  | T | T | 5  |
| 8  | T | T | 7  |
| 10 | T | T | 9  |
| 12 | T | T | 11 |
| 14 | T | T | 13 |
| 16 | T | T | 15 |
| 18 | T | T | 17 |
| 20 | T | T | 19 |
| 22 |   |   | 21 |
| 24 |   |   | 23 |
| 26 | S | S | 25 |
| 28 | S | S | 27 |

VIEW FROM NUMBERED SIDE OF BLOCK

OUTER TERMINAL BLOCK ASSY: -  
 ASSEMBLY INSTRUCTIONS: -  
 TYPICAL ASSEMBLY DRAWING 2995G10029.  
 AT INDICATED POSITIONS FIT AS FOLLOWS:  
 S - FIT STANDARD CONTACT 2995B10051  
 HC - FIT 'HEAVY CURRENT' KIT 2995G10030  
 WHERE ⊖⊖ IS SHOWN FIT CT SHORTING KIT 2995G10031  
 POSITIONS SHOWN BLANK ARE UNUSED.  
 ALL POSITIONS FIT SCREW 2106F12506.

|    |   |   |    |
|----|---|---|----|
| 2  | S | S | 1  |
| 4  | S | S | 3  |
| 6  | S | S | 5  |
| 8  | S | S | 7  |
| 10 | S | S | 9  |
| 12 | S | S | 11 |
| 14 | S | S | 13 |
| 16 | S | S | 15 |
| 18 | S | S | 17 |
| 20 | S | S | 19 |
| 22 |   |   | 21 |
| 24 |   |   | 23 |
| 26 | S | S | 25 |
| 28 | S | S | 27 |

VIEW FROM INSIDE FACE

|  |          |                      |   |                  |                               |
|--|----------|----------------------|---|------------------|-------------------------------|
| Title:<br>T.B. AND WIRING DIAG. FOR TR141-10 RELAY IN EPSILON E2 CASE. |          |                      | First used on:  |                  |                               |
| 3 RDW 31/05/11 MN112/3408  |          |                      | Similar Articles:   |                  |                               |
| 2 RDW 14/11/05 MN112/2744  |          |                      | Supersedes:   |                  |                               |
| 1 08/02/00   |          |                      | Drg.No.<br><b>2112W50120</b>                                    |                  |                               |
| ISSUE  | DATE     | MOD.No.              | VA TECH Reyrolle<br><b>AUTOMATION, CONTROL &amp; PROTECTION</b> |                  |                               |
| DRAWN: A.LAW.  | CHECKED: | APPROVED: R.D.WATSON | DATE: 17/07/02  | Copyright © 2000 | VA TECH Reyrolle Ltd. Hebburn |