

[siemens.com/mobility](https://www.siemens.com/mobility)

Switchguard ELP 319 end position detector

Fail-safe detection of points

The Switchguard ELP 319 end position detector detects the end position of the following components:

- points with mid-blade locking
- high-speed points
- manually operated points
- spring return points
- mechanical locking units
- movable frogs and frog wing rails

Switchguard ELP 319 satisfies the following requirements:

- detection of open and closed point blades
- control of point opening
- control of the locking function
- indication of point trailing operations
- detection of gage narrowing

Switchguard ELP 319 interacts with all types of relay interlockings through to electronic interlockings.

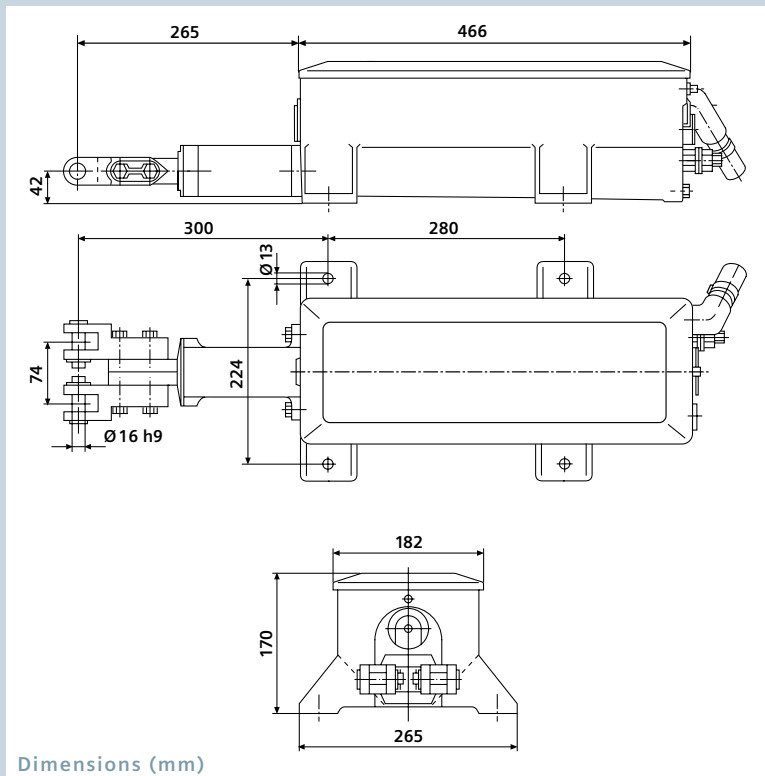
Benefits

- Universally applicable
- Versatile and flexible
- Compact and cost-effective
- Robust and protected
- Virtually maintenance-free



Technical data

Slide stroke	infinitely adjustable from 30 mm to 190 mm
Pointing capacity	230 V AC, 50/60 Hz, 6 A (cos $\varphi = 1$) or 4 A (cos $\varphi = 0.8$)
Maximum pointing current	≤ 16 A
Weight	27.4 kg
Temperature range	-40 °C to +70 °C
Protection against ingress of foreign bodies and water	IP 54 in line with DIN VDE 0470, Part 1



References

- German Railways
- Egyptian National Railways
- Express Rail Link, Sdn. Bhd., Malaysia
- Finnish Rail Administration
- Queensland Rail, Australia
- Railways of the People's Republic of China
- Swiss Federal Railways
- Taiwan High Speed Railway Corporation