

KB2's Energy Circuits

Suitable
for year
6!

Help KB2 and REG find out which circuits power bulbs best!

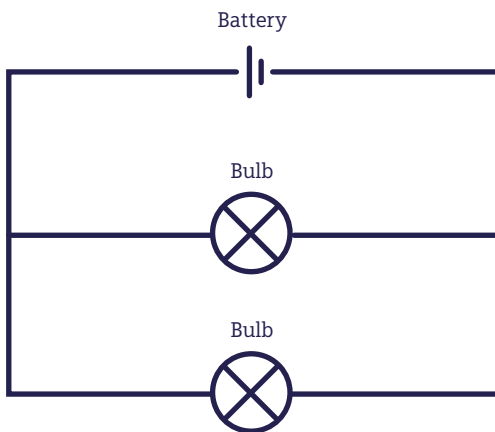


Task 1

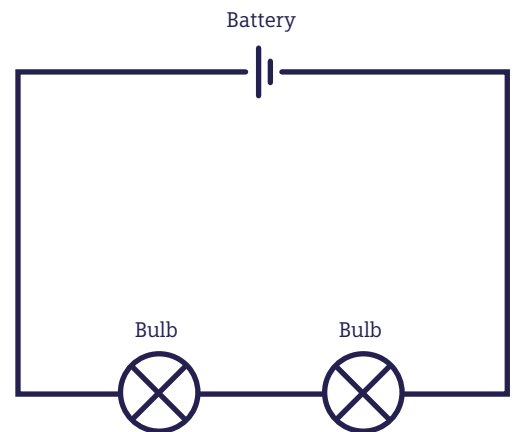
In pairs, build a parallel or series circuit like the examples below. Start with one bulb and then add another bulb and then another until your circuit powers 3 bulbs.

You will need: 1 Battery, Wires and 3 Bulbs

Parallel



Series



Task 2

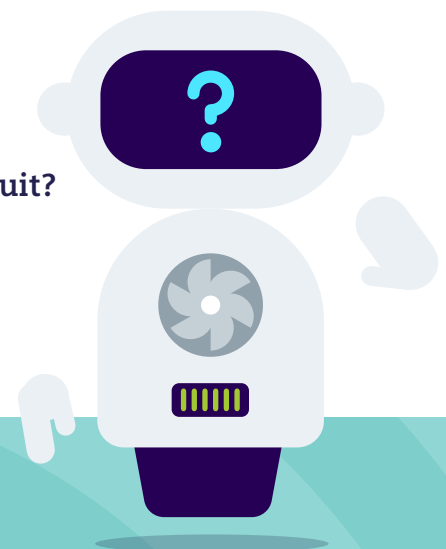
Which circuit did you make?

What happened when you added the 2nd bulb to the parallel circuit?

.....
.....

What happened when you added the 2nd bulb to the series circuit?

.....
.....



Task 3

Find a pair that have made the other circuit and compare your answers from task 2.

Which circuit, series or parallel, do you think would work better in powering lots of bulbs?

Task 4

Our national grid, which is a massive circuit, provides electricity to all our homes using a parallel circuit. **Draw a parallel circuit below connecting REG's house and KB2's house so they both get equal power from the battery.**

