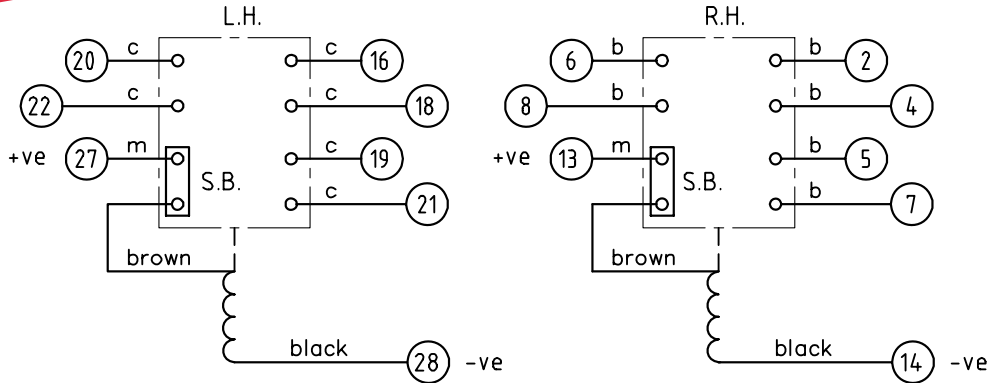


LOOKING ON FRONT OF RELAY

2112W50080

**FOR INTERNAL USE ONLY
UNCONTROLLED COPY
NOT SUBJECT TO UPDATE**



**CREATED 04/05/2020
WORKS STANDARD
IF IN DOUBT ASK**

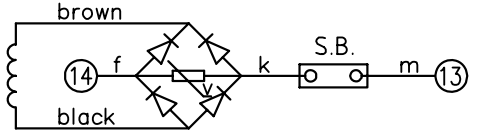
ASSEMBLY WIRES USED		
b	2107B10002	6 OFF
c	2107B10003	6 OFF
m	2107D10181	2 OFF

KEY

- make contact
- break contact
- c/o contact
- ext. conn
- plug bridge - shorting
- metering point
- 5Kv barrier
- test socket - shorting
- plug & socket

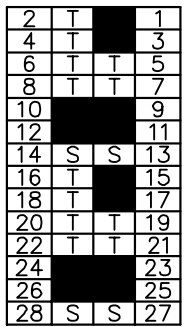
COIL	2112G20019	2112G20020	2112G20022	2112G20023	2112G20026	2112G20029
Vdc	24	30	50	60	125	240
CONTACT CONFIG.	OUTPUT CONTACT PAIR / TERMINAL No.					
R.H. →	1-3	2-4	5-7	6-8	9-11	10-12
L.H. →	15-17	16-18	19-21	20-22	23-25	24-26
3M 1SB	/	M	M	M	/	/
2M 1B 1SB	/	B	M	M	/	/
1M 2B 1SB	/	B	M	B	/	/
3B 1SB	/	B	B	B	/	/

NOTE: WHEN RECTIFIER IS SPECIFIED COIL CONNS AND ADDITIONAL WIRES ARE AS SHOWN.



FRAME REFERENCE: E4FS09.
FRAME TERMINAL BLOCK ASSY: -

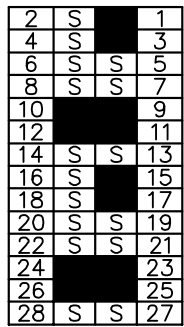
ASSEMBLY INSTRUCTIONS: -
TYPICAL ASSEMBLY DRAWING 2995G10032.
AT INDICATED POSITIONS FIT AS FOLLOWS:
T - FIT TRIP ISOLATION CONTACT 2995B10053
S - FIT STANDARD CONTACT 2995B10054
SECURE CONTACTS USING FIXING SCREW 2109F99009.
POSITIONS SHOWN BLANK ARE UNUSED



VIEW FROM NUMBERED SIDE OF BLOCK

OUTER TERMINAL BLOCK ASSY: -

ASSEMBLY INSTRUCTIONS: -
TYPICAL ASSEMBLY DRAWING 2995G10029.
AT INDICATED POSITIONS FIT AS FOLLOWS:
S - FIT STANDARD CONTACT 2995B10051
HC - FIT 'HEAVY CURRENT' KIT 2995G10030
WHERE IS SHOWN FIT CT SHORTING KIT 2995G10031
POSITIONS SHOWN BLANK ARE UNUSED.
ALL POSITIONS FIT SCREW 2106F12506.



VIEW FROM INSIDE FACE

Copyright © 2015 VA TECH Reyrolle Ltd. Hebburn

Title: T.B. AND W.D. FOR AR212SB 4 CONTACT RELAYS IN EPSILON E4 CASE.			First used on:		
5 N.C 19/06/15 MN112/3882			Similar Articles:		
4 RDW 10/07/12 MN111C/3479			Supersedes:		
3 RDW 16/01/04 MN112/2606			Drg.No.		
2 12/04/00 MN995/09			2112W50080		
ISSUE DATE MOD.No.			Original Scale:		
DRAWN: A.LAW. CHECKED:			APPROVED: R.D.WATSON DATE: 17/07/02 IE: OPS:		

**VA TECH Reyrolle
AUTOMATION, CONTROL & PROTECTION**