

REVISION	DATE	BY		DATE	BY
			DRAWN	15/11/17	JW
			CHEK'D		
			VERIF'D		

Confidential - Property of Siemens Industry, Inc.		
CUSTOMER		
ORDER NO.	DWG. NO.	
	3F3Y150K4D16	SH 1 OF 2

SIEMENS

CATALOG NO. 3F3Y150K4D16
 SERIAL NO. SERIES H
 150 kVA 60 Hz 3 PHASE
 4.8 % IMP AT 170 °C

150 °C RISE 30 °C AVG. AMBIENT
 220 °C TEMP CLASS 40 °C MAX. AMBIENT

PRIMARY (H1 H2 H3) 480V V 10 kV BIL
 SECONDARY(X0 X1 X2 X3) 208Y/120V V 10 kV BIL

WINDING MATERIAL AL
 ENCLOSURE TYPE 3R WEIGHT 915 LBS
 ENERGY EFFICIENCY EXCEEDS CSA DOE 10 CFR PART 431:2016
 C802.2-2012

SPACINGS BETWEEN ANY VENTILATED ENCLOSURE PANEL AND
 ANY ADJACENT WALL SHALL BE A MINIMUM OF 5 INCHES
 EXCEPT WHEN WALL MOUNTED USING APPROVED WALL MOUNTING KIT
 ELECTROSTATIC SHIELD

SUITABLE FOR NONSINUSOIDAL CURRENT LOAD WITH K-FACTOR NOT TO EXCEED K-4
 SUITABLE FOR INDOOR OR OUTDOOR LOCATIONS
 BEFORE HANDLING, INSTALLING AND OPERATING, SEE INSTRUCTION MANUAL

NEMA Class **ANN** Dry Type Transformer Siemens Industry, Inc. Norcross, GA dsu0087e

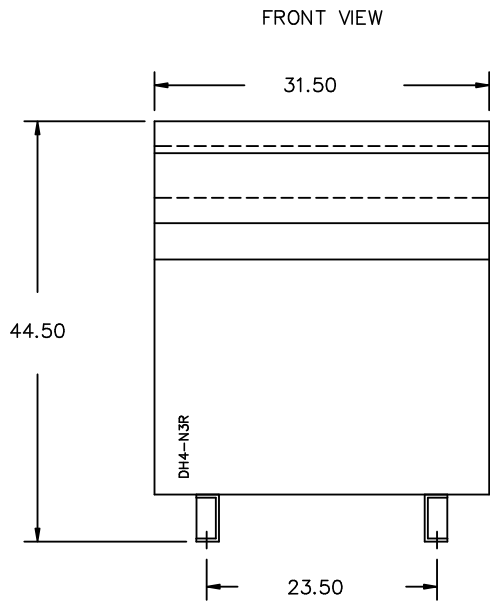
VOLTS CONNECT
 504 1
 492 2
 480 3
 468 4
 456 5
 444 6
 432 7

UL LISTED
 DRY TYPE TRANSFORMER
 7705 E112313
 TYPE K **SR** LR 3902

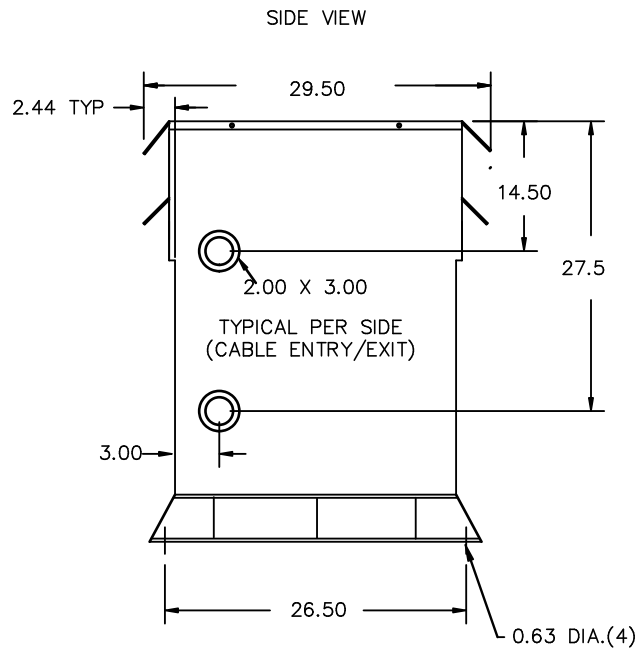
SEISMIC QUALIFICATIONS, FLOOR MOUNT ONLY
 OSP-0136-10 IBC 2012/ASCE 7-10
 SDS<=2.0g Z/h=1 Ip=1.5



3F3Y150K4D16



All Dimensions in inches

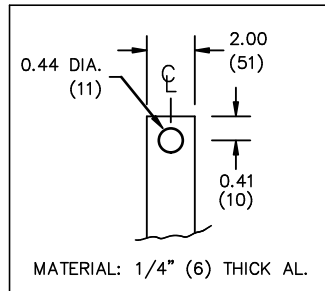


ENCLOSURE COLOR :ANSI 61 GREY – OUTDOOR

H.V.1. TERMINAL DETAIL

L.V.1. TERMINAL DETAIL

MECHANICAL TYPE LUGS INCLUDED
SUITABLE FOR 350MCM-6 CU/AL
CONDUCTORS
1 CONDUCTOR PER PHASE



CUSTOMER NOTES:

- HV1 TERMINATED AT TOP FRONT
- LV1 TERMINATED AT BOTTOM FRONT

Confidential – Property of
Siemens Industry, Inc.

REVISION	DATE	BY	DATE	BY	CUSTOMER
			DRAWN	15/11/17	
			CHEK'D		
			VERIF'D		
		ORDER NO.		DWG. NO.	
				3F3Y150K4D16	
					SH 2 OF 2