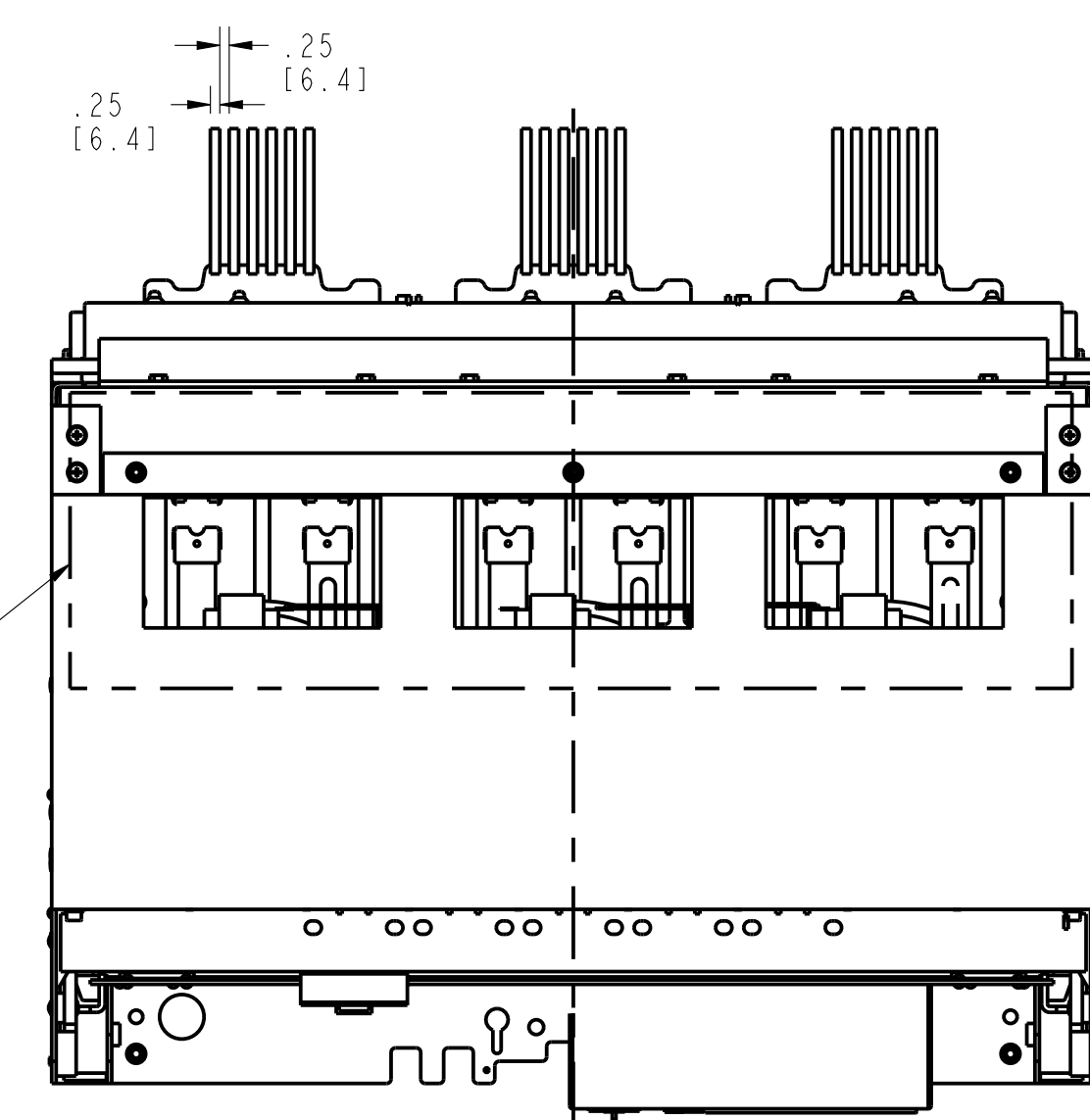
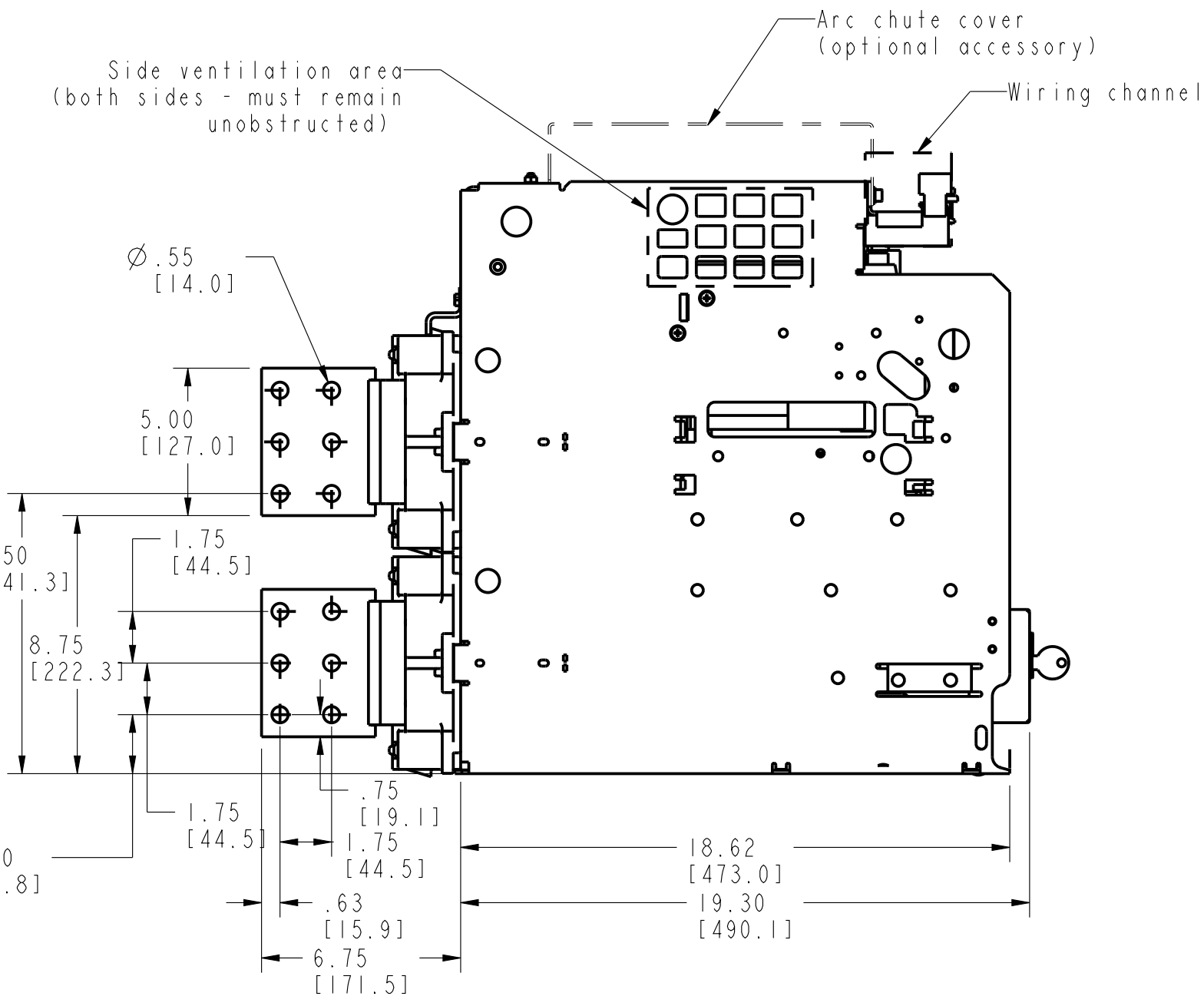


REVISIONS				
REV	ECN/MCR	DESCRIPTION	DATE CHANGED BY	APPROVED BY
OP		INITIAL PRELIMINARY RELEASE	02-26-15	M. Rodr



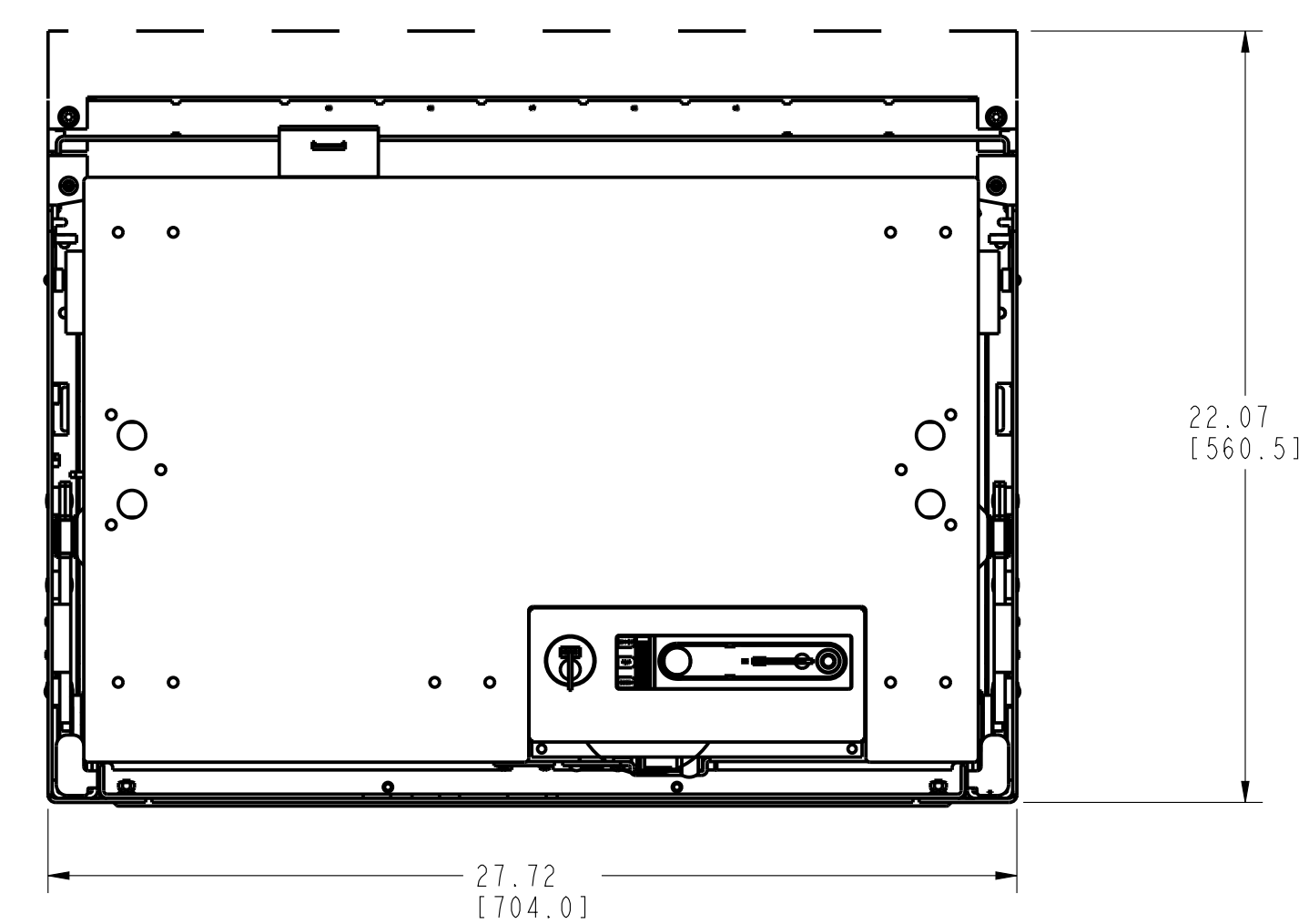
Top ventilation area
(must remain unobstructed)



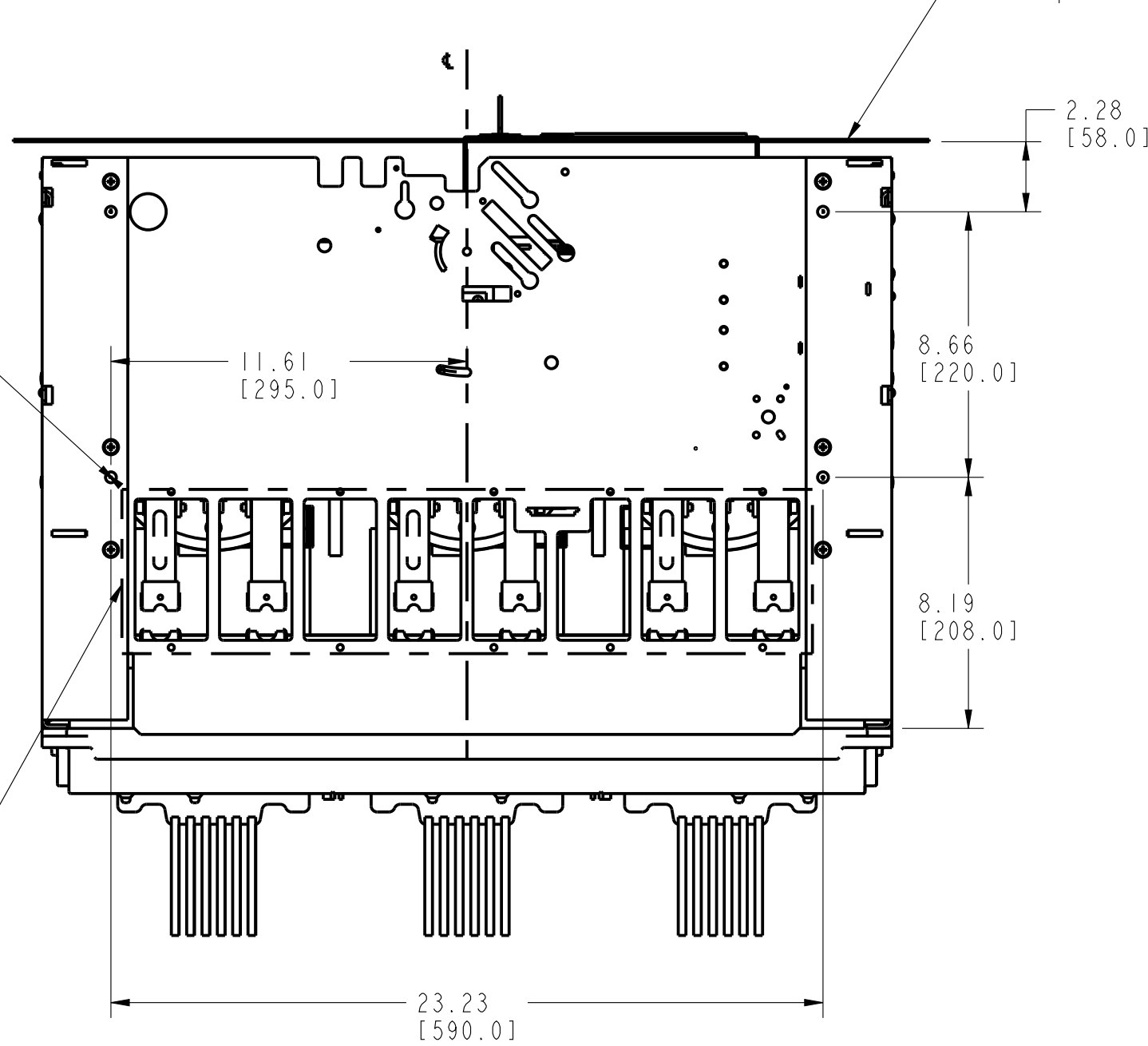
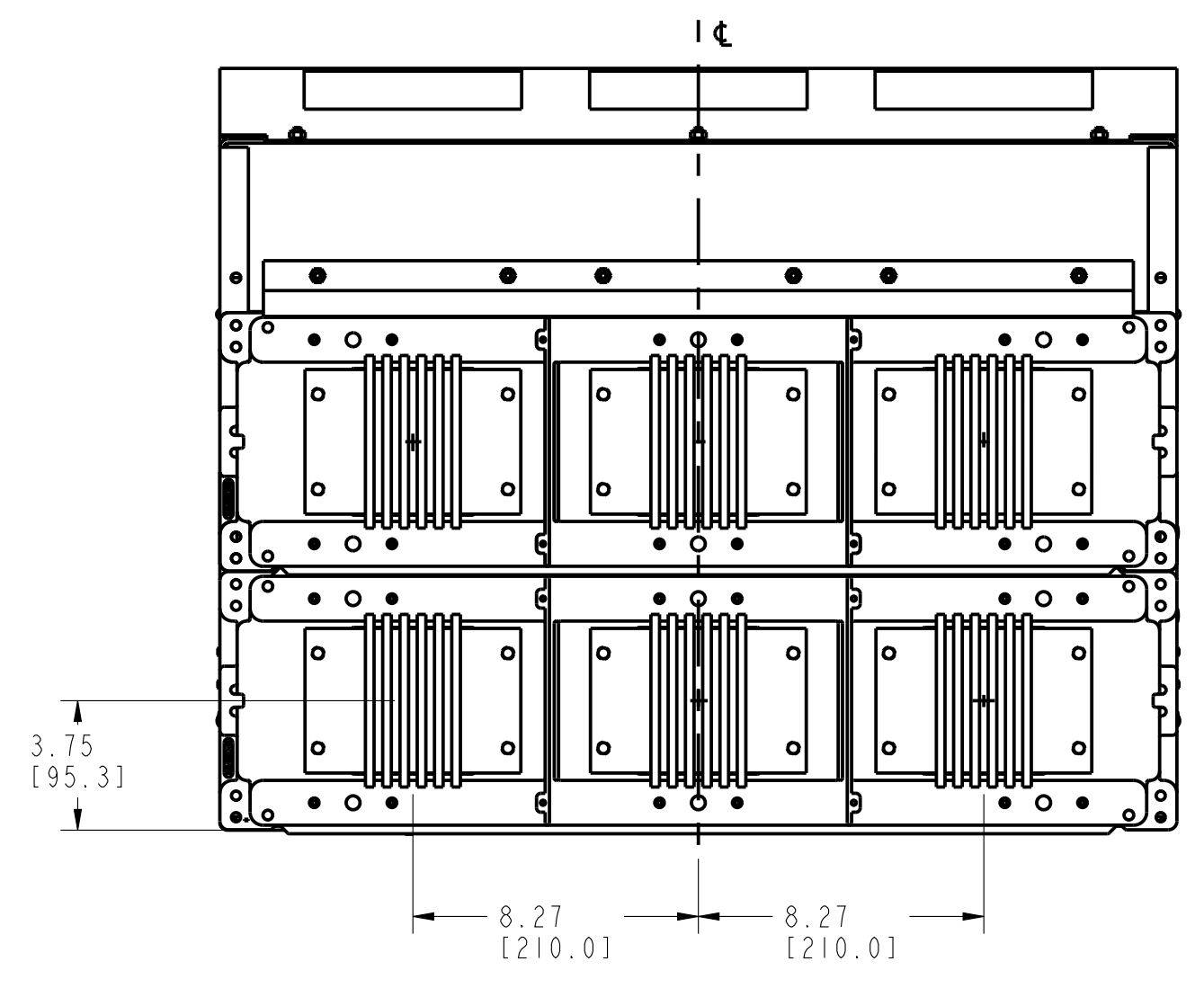
Side ventilation area
(both sides - must remain unobstructed)

Arc chute cover
(optional accessory)

Wiring channel



Door panel



Ø.35 [9.0]
Mounting holes

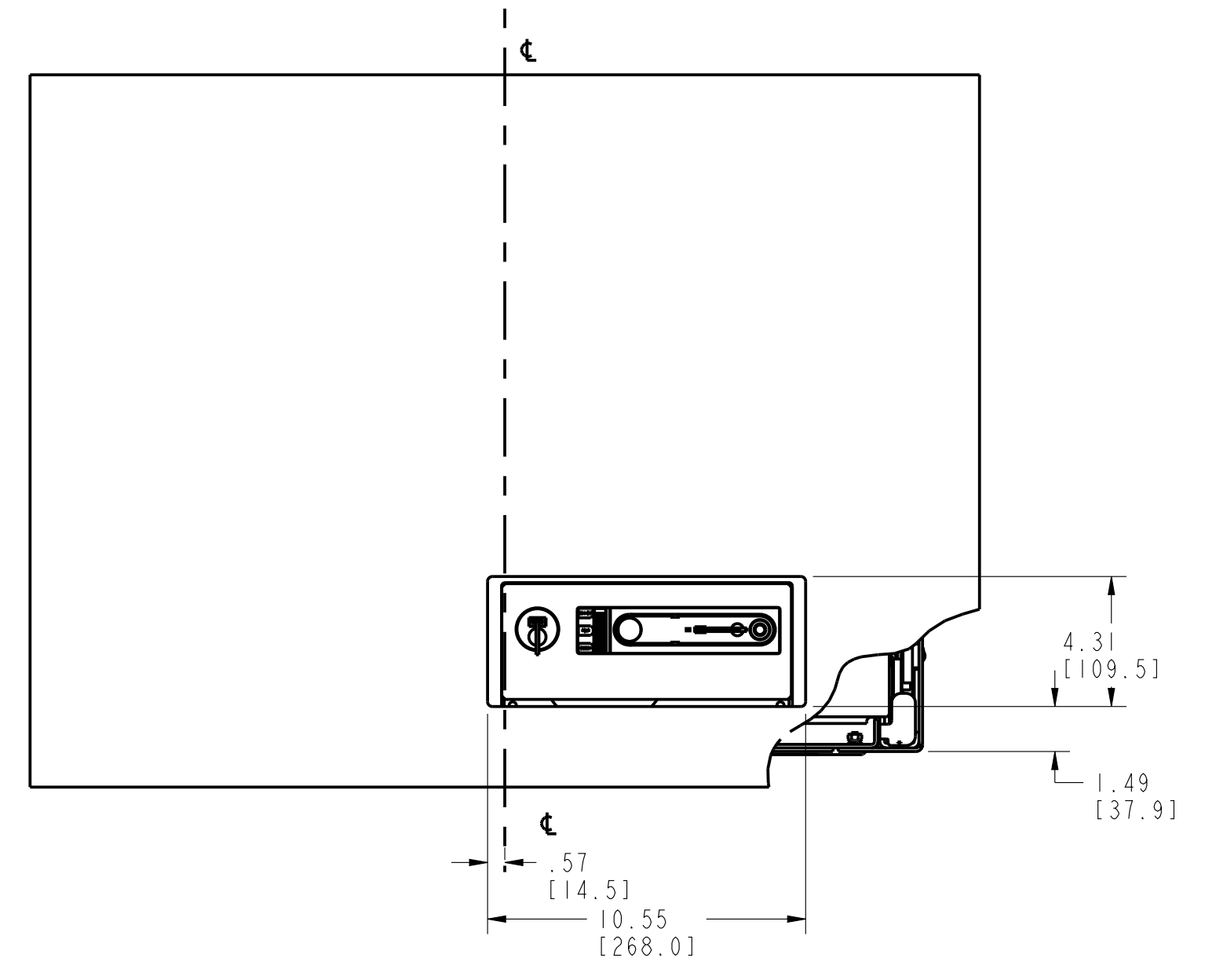
Bottom ventilation area
(to remain unobstructed
for 5000A circuit breakers)

814887	Drawing applicable for the following frames WLF4A332, WLF4A340, WLF4A350
PART OR IDENTIFYING NO.	MATERIAL/SPECIFICATION

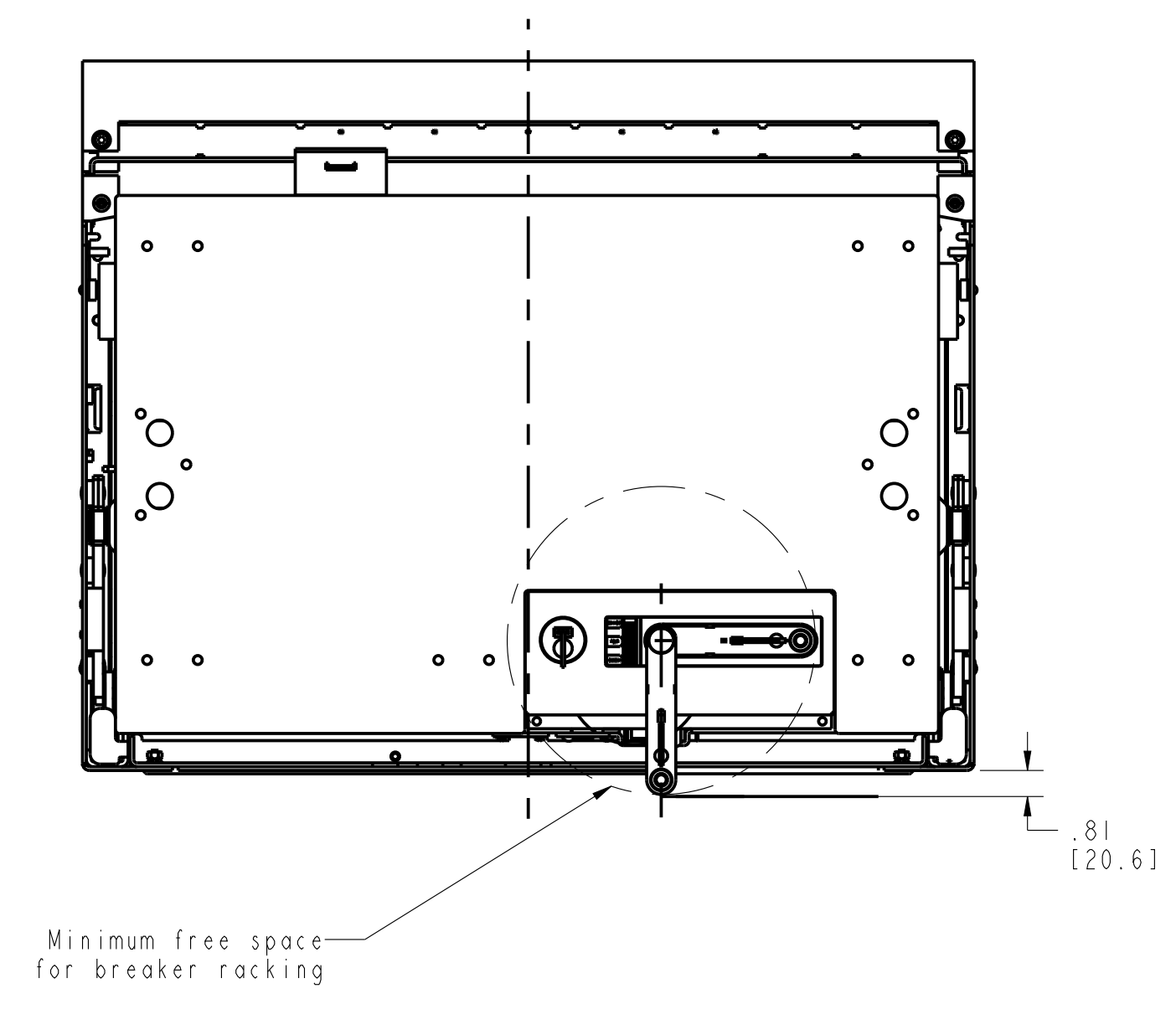
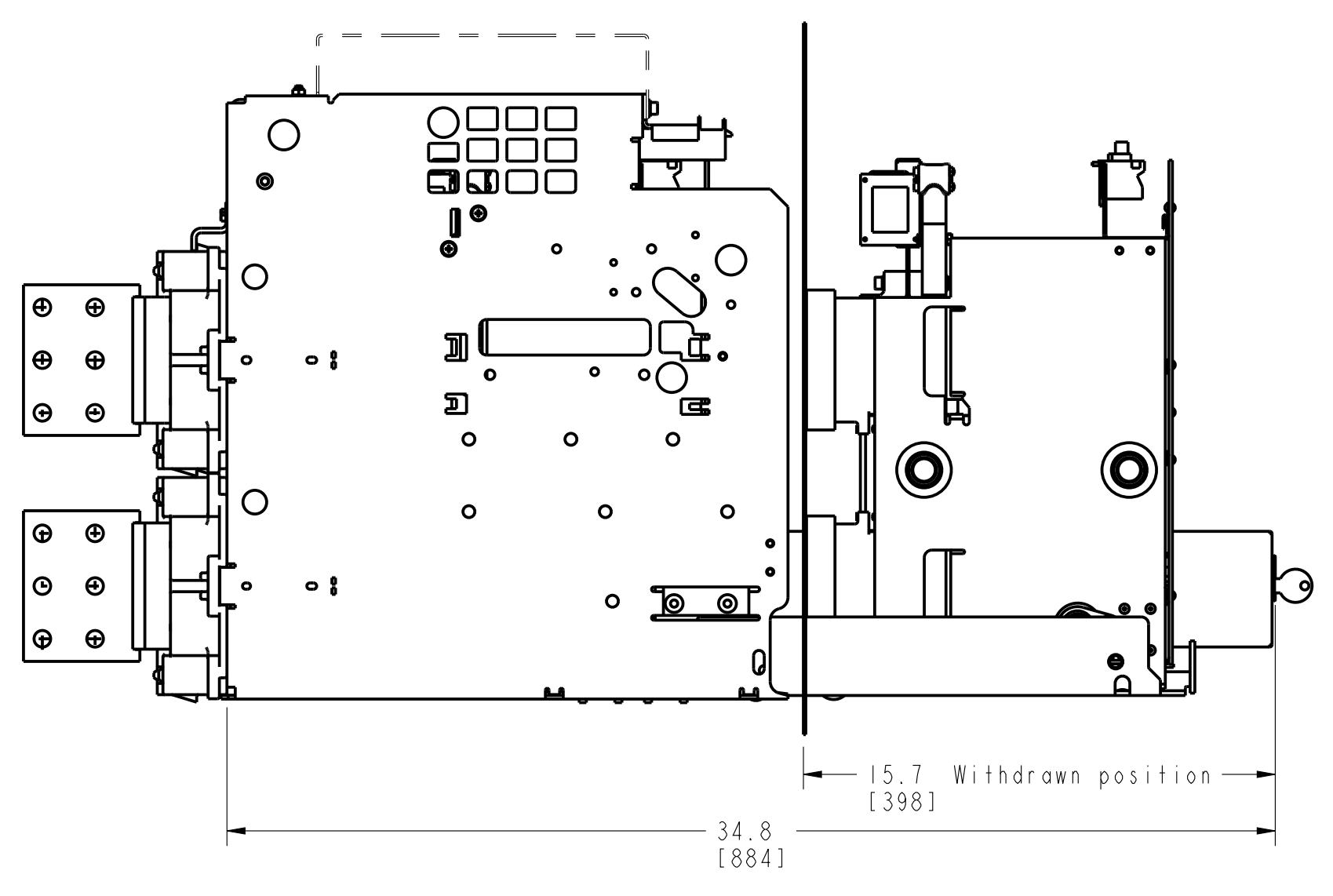
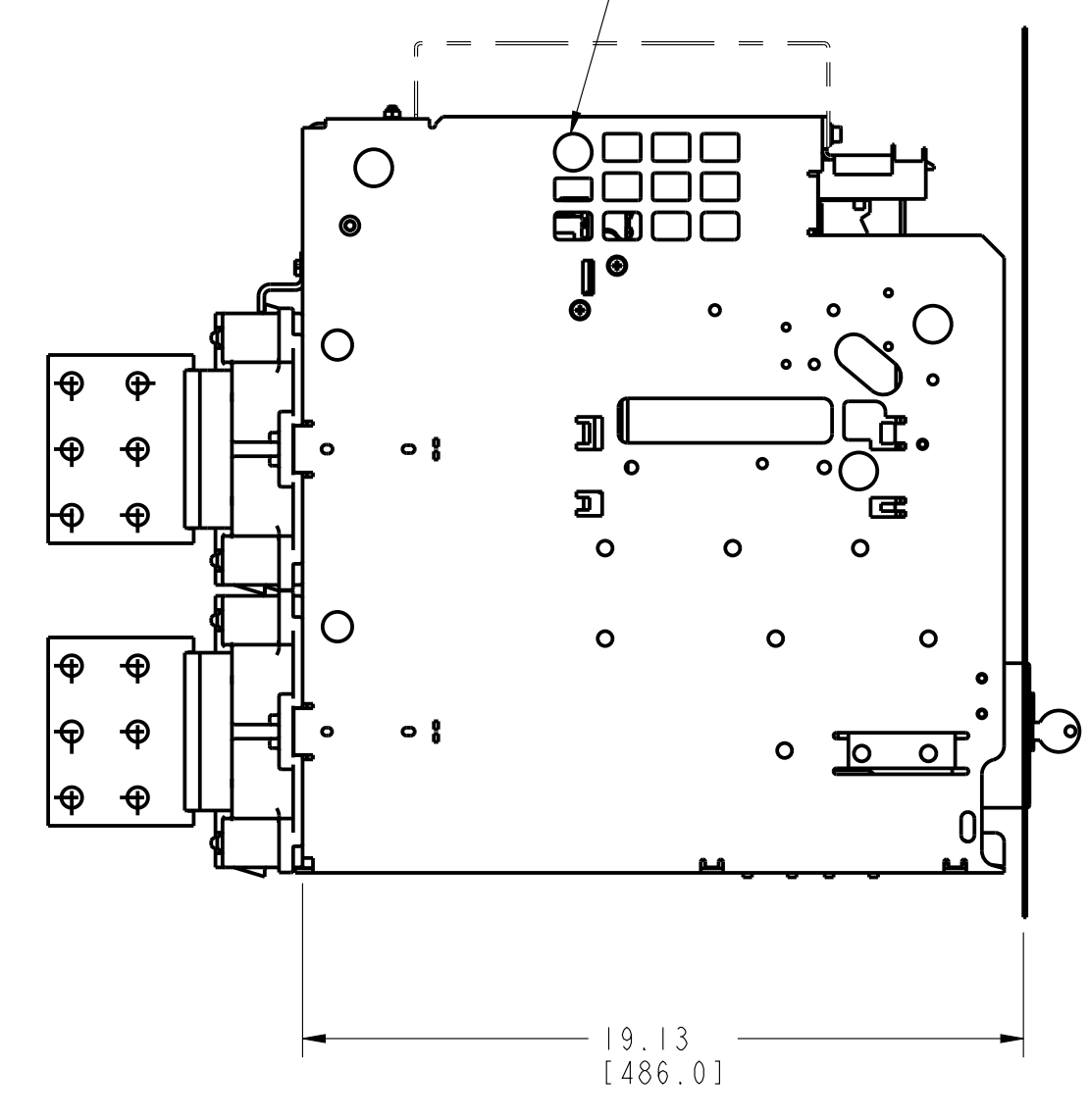
CONFIDENTIAL - PROPERTY OF Siemens Industry, Inc.				
Siemens Industry, Inc.				
UL 1066 FS3 Drawout 3P Fuse Carriage				
UNLESS OTHERWISE SPECIFIED DIMENSIONS ARE IN INCHES DO NOT SCALE DRAWING				
TOLERANCES: .X1 ±.01 .XIII ±.005 ANGULAR ±1.00				
DWN M. Rodriguez	DATE 02-26-15	SIZE D	FSCM NO.	DWG NO. 814887
CHK S. Puppala	DATE 3-2-15			REV. OP
APVD K. Flowers	DATE 3-06-15	SCALE 1:5	PROJ FILE 814887	SHEET 1 OF 2

REVISIONS				
REV	ECN/MCR	DESCRIPTION	DATE CHANGED BY	APPROVED BY
OP		See First Page for Changes Description	02-26-15	M. Rodr

Door cut-out (with edge protector)
Fuse Carriage



Lifting Point, Cradle and
Breaker must be lifted separately.
Do not lift by other points.



814887	Drawing applicable for the following frames WLF4A332, WLF4A340, WLF4A350		
PART OR IDENTIFYING NO.	MATERIAL/SPECIFICATION		
CONFIDENTIAL- PROPERTY OF Siemens Industry, Inc.			
UNLESS OTHERWISE SPECIFIED DIMENSIONS ARE IN INCHES DO NOT SCALE DRAWING		Siemens Industry, Inc.	
TOLERANCES: .X1 ±.01 .XIII ±.005 ANGULAR ±1.00		UL 1066 FS3 Drawout 3P Fuse Carriage	
DWN M. Rodriguez	DATE 02-26-15	SIZE D	FSCM NO.
CHK S. Puppola	DATE 3-2-15	DWG NO. 814887	
APVD K. Flowers	DATE 3-6-15	SCALE 1:5	PROJ FILE 814887
		SHEET 2 OF 2	REV. OP