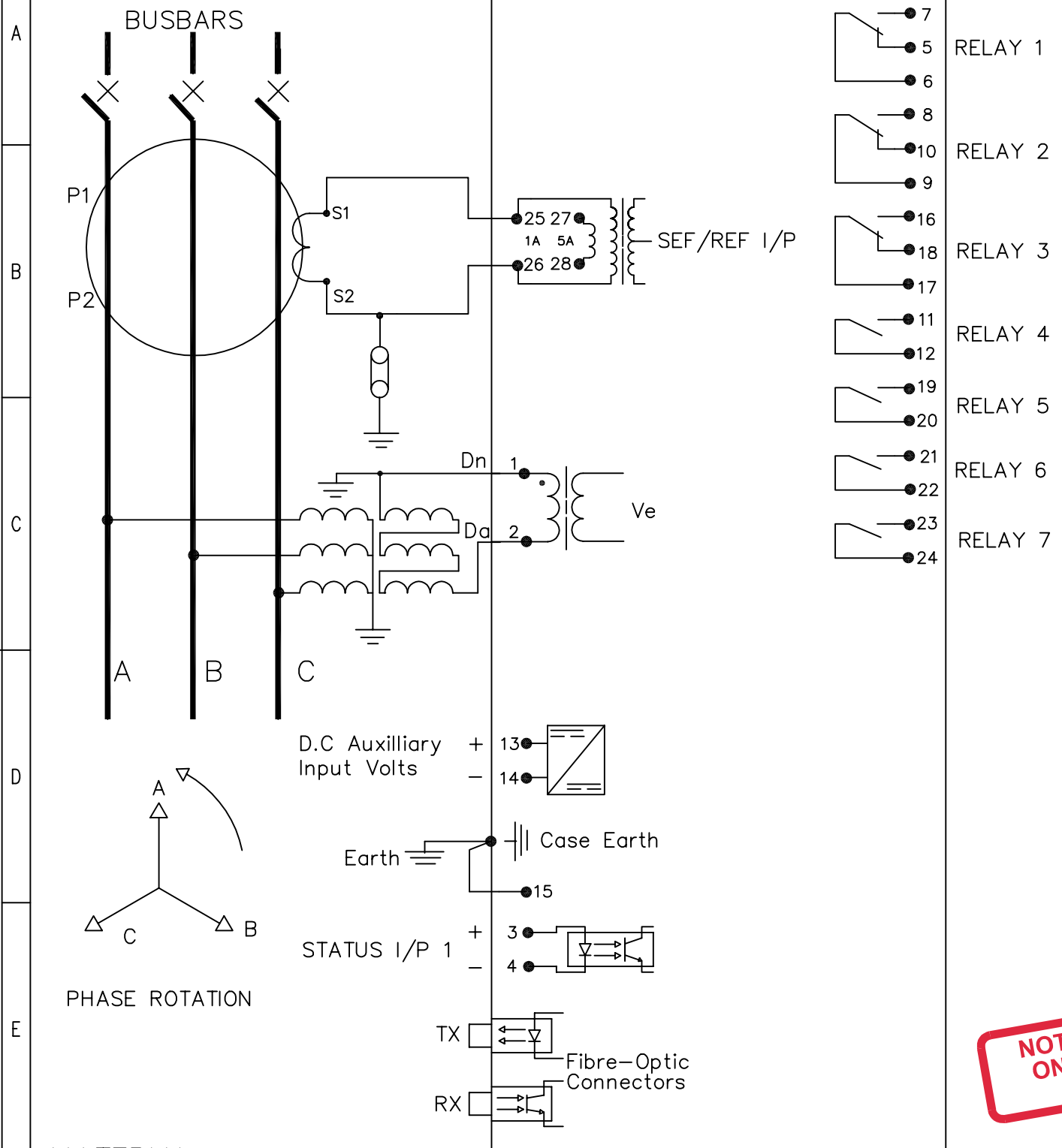


IF IN DOUBT ASK
DO NOT SCALE

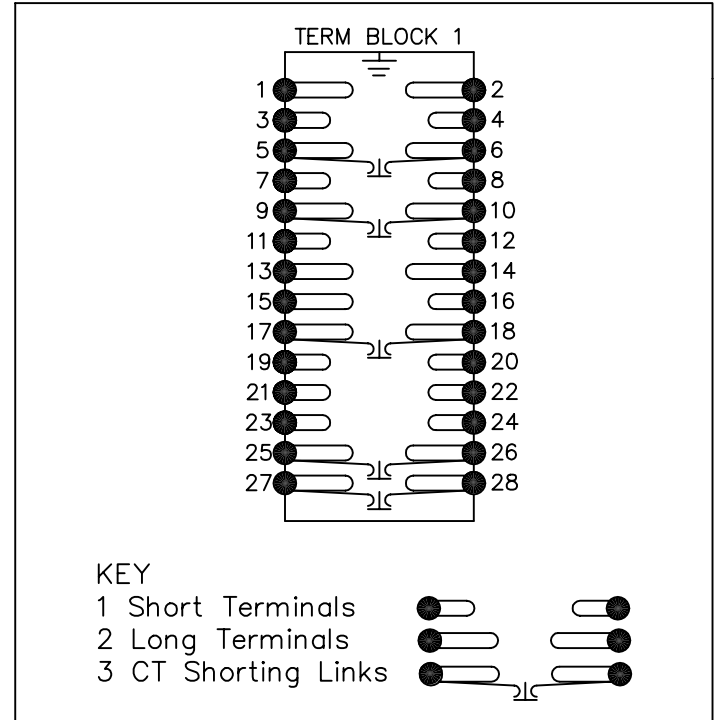
DCD22xA(ARGUS 2)MODULAR SIZE 4 CASE



NOTES

- 1 CT CIRCUITS ARE SHOWN CONNECTED TO RELAY 1 AMP TAP. USE ALTERNATIVE TAP FOR 5AMP RATED CTs.
- 2 CT & EARTH CONNECTIONS ARE TYPICAL ONLY.
- 3 METROSIL & SETTING RESISTORS ARE REQUIRED FOR HIGH IMPEDANCE & RESTRICTED EARTH FAULT APPLICATIONS.
- 4 FOR TERMINAL DIAGRAM SEE 2434W50004 (A2)

TERMINAL BLOCKS VIEWED FROM REAR



**NOT SUBJECT TO UPDATE
ONCE COPIED / PRINTED
OR DOWNLOADED**

MATERIAL:

Dimensions in millimetres : Surface texture in micrometres.
Machine where marked ✓
For explanation of dimensions, tolerances, notes etc. see B.S.308.
Limit on untoleranced unmachined dimensions ± _____
Limits on untoleranced machined dimensions to B.S.4500;
i.e. up to 6±0.1; over 30 to 120±0.3; over 315±0.8;
over 6 to 30±0.2; over 120 to 315±0.5;
General unmachined angular tolerance ± _____

Finish: _____
Treatment: _____

Title:
TYPICAL SCHEMATIC DIAGRAM SINGLE POLE DIRECTIONAL SEF
NUMERIC OVERCURRENT PROTECTION (ARGUS 2) EPSILON

**Reyrolle Protection
Hebburn.**

Original Scale:
NTS

First used on:
Similar Articles: 2434W10029
Supersedes:
Drg. No.
2434W10050

| | | | | | | | | | | | |
|---------------|---------|---------------------|---------------|----|-----|-----|----------------|-----|----|-----|----|
| DRAWN M LEASK | CHECKED | APPROVED R.D.WATSON | DATE 23/07/02 | IE | OPS | PCP | Purch.Spec. TQ | EAC | CE | STD | A3 |
|---------------|---------|---------------------|---------------|----|-----|-----|----------------|-----|----|-----|----|

| | | |
|-------|----------|--------------|
| 2 | 18/4/02 | MN434/2292 |
| 1 | 22/11/99 | CHANGE NOTED |
| ISSUE | DATE | NOTED |

Copyright © 1999 Reyrolle Ltd.