

SIEMENS

Ingenuity for life



SIPAPER DCS APL

Consistent cost savings
with integrated automation

Integrated automation for success in a global environment

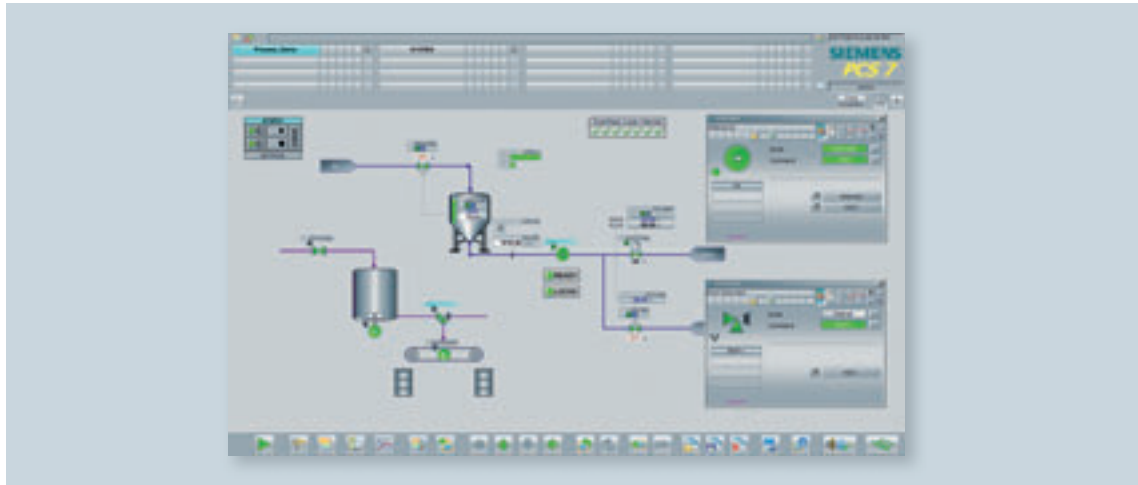
The global trend toward corporate mergers, combined with cost pressures and the resulting need for global standardization in the paper industry, calls for solutions in the area of automation as well.

SIPAPER DCS (decentralized control system) APL is an integral part of the SIPAPER product family. SIMATIC PCS 7-based hardware in conjunction with software based on the Pulp & Paper module library provide a hierarchically structured and coordinated solution – for example, for the drive system or master control system – that covers the entire process chain from timber yard to dispatch and all control technology levels.

Integral solutions instead of costly system diversity

Different individual systems are often still used in the automation of pulp and paper plants. This creates difficulties as a result of interfaces, higher training costs, disparate operating philosophies, and the logistics costs for maintenance. The short and frequently asynchronous innovation cycles of individual systems also entail costs and effort for migration and distract from the core business. There is only one way to avoid follow-up investments on individual systems, and that is to move away from island solutions toward integrated automation on a standard system platform – with SIPAPER DCS APL.





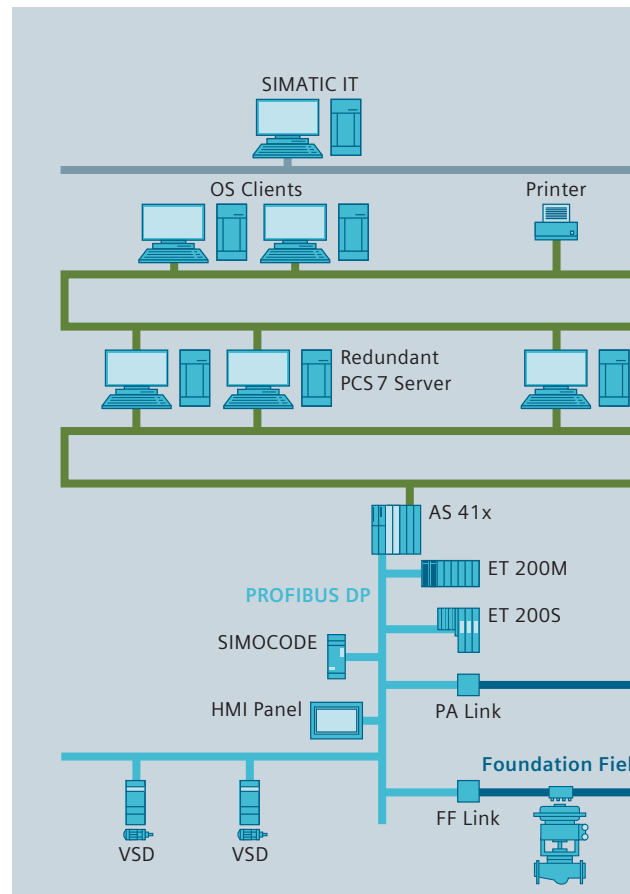
**SIPAPER DCS APL –
our solution in detail**

SIPAPER DCS APL is based on SIMATIC, the foremost automation system on the global market. Supplemented by ready-made, coordinated software modules developed specifically for Pulp & Paper together with our customers, SIPAPER enables standard automation of all functions and process areas across the entire production plant. SIMATIC's leading position on the market, combined with the consistent use of SIPAPER standard modules worldwide, work to protect your investment – and both are backed by our global service and support network.

**Well thought-out solutions
with multiple benefits**

With SIPAPER DCS APL, our use of identical components and well thought-out solutions for the drive, automation, and quality system facilitates the complete integration of all parts. Our DCS solution's scalability allows it to be adapted simply, quickly, and at low cost to new production and market requirements or to innovations that result from added functionalities or new technologies, for example.

Your plant can grow with your requirements and it can always be kept up-to-date technically. SIPAPER DCS APL also offers an end-to-end system, completely integrated from the field level to the production control level (ERP).



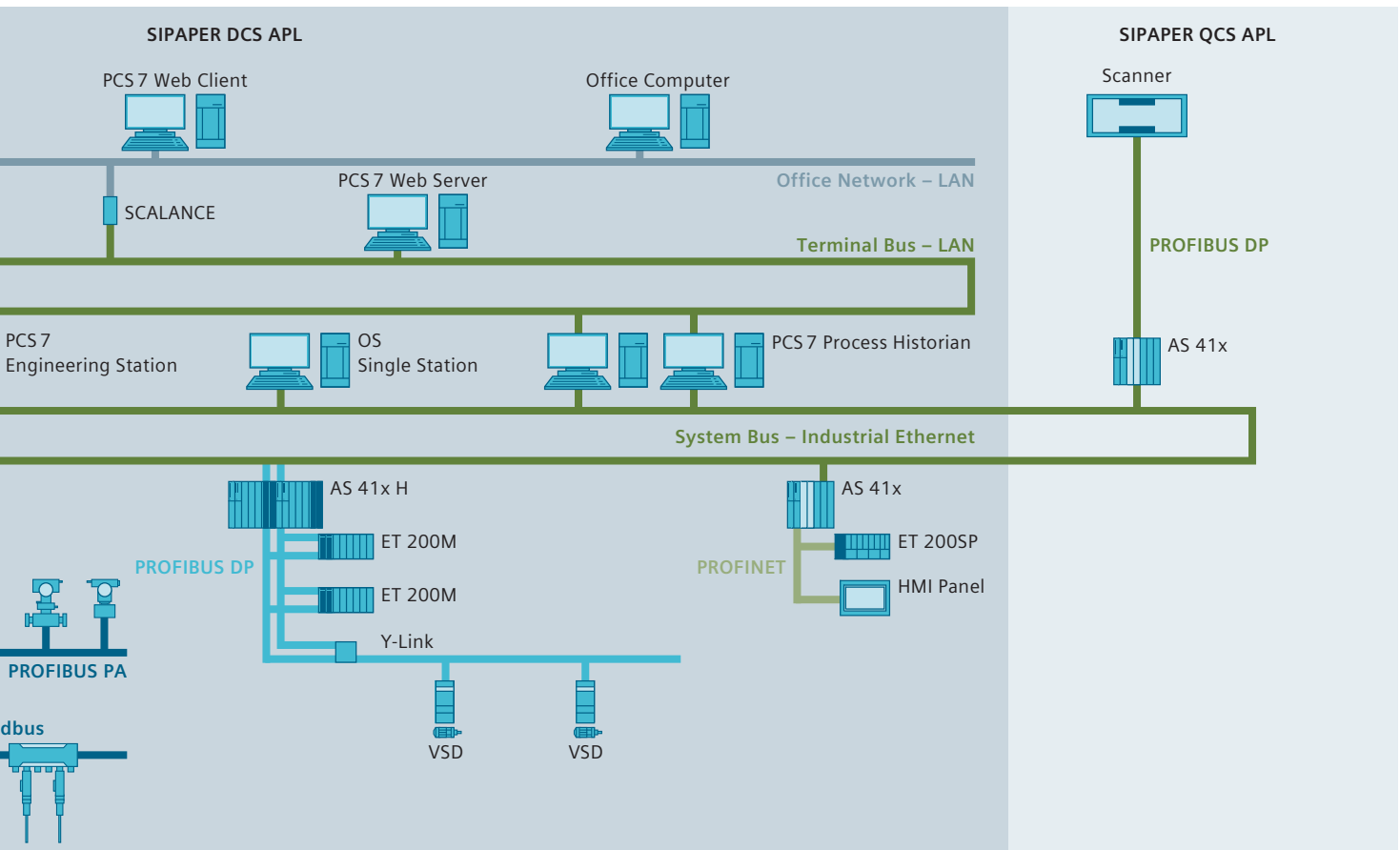
Advantages of SIPAPER DCS APL at a glance

- Individualized solutions based on the innovative standard of SIMATIC, the world's leading automation system.
- Global application in all industrial sectors and international support over the entire lifecycle.
- Investment protection through verified migration. SIPAPER DCS APL allows the migration of legacy systems onto future versions of the PCS 7 process control system without reconfiguration, with the existing hardware largely retained.
- Future-proof investment, thanks to the ease of expanding/adapting the system to new market conditions – and also through comprehensive process information that supports sound business decisions.
- Using the same system components for drives, process automation, and quality control systems saves costs. Standard user interfaces and concepts with SIPAPER APL reduce errors and facilitate the work of operating personnel.

Transparency for sound decisions

The incorporation of all levels from field level to production control provides unprecedented data transparency and diagnostics options as the basis for optimized processes and reduced downtimes. A high level of automation in your plant is achieved by high-performance software with SIPAPER modules.

In process controllers, the step chains are displayed in overview diagrams, with commentaries provided, and switching conditions are represented dynamically. This provides up-to-date tracking of the process sequence at all times, along with the latest status information.



Standard operating conditions

Our diagrams and faceplates for operation and monitoring have been tailored to the requirements of the paper industry in collaboration with our customers. Every process object has several views, which makes it possible to select trends, make notes, and display specific information about "Operation" and "Maintenance." This enables the operator to quickly recognize whether a fault message can be assigned to the process or to a technical malfunction, and to make a fast decision about what remedial action is required.

SIPAPER – solutions for the paper industry

As a comprehensive industry solution for the pulp and paper industry, our SIPAPER product family integrates all services for the permanent maximization of your plant's performance. A solution is defined for every function that:

- horizontally targets improvement of the production process – from the pulp to the finished product
- vertically includes linking to the company's information flows, complete with processing of the information required to support management decision-making
- optimized maintenance, as well as guaranteed retention of the plant's value through ongoing developments, innovations, and migrations.

This protects your investment in SIPAPER over your entire plant's lifecycle.



Thanks to this networking of the horizontal, vertical, and lifecycle dimensions, every one of our solutions is essentially designed for maximizing your plant's productivity on a permanent basis.

**For more productivity, more performance,
more drive. SIPAPER APL – the complete solution
from Siemens for the paper industry.**

Siemens AG
Fiber Industry
Werner-von-Siemens-Straße 60
91052 Erlangen
Germany

E-mail: sipaper@siemens.com
www.siemens.com/sipaper

Article No. VRFF-B10016-00-7600

Dispo 21619

TH 464-130715 | DB | 04141.

DR.VM.LD.14.XXPP.52.01

Printed in Germany

© Siemens AG 2017

Subject to changes and errors. The information given in this document only contains general descriptions and/or performance features which may not always specifically reflect those described, or which may undergo modification in the course of further development of the products. The requested performance features are binding only when they are expressly agreed upon in the concluded contract.

All product designations may be trademarks or product names of Siemens AG or supplier companies whose use by third parties for their own purposes could violate the rights of the owners.