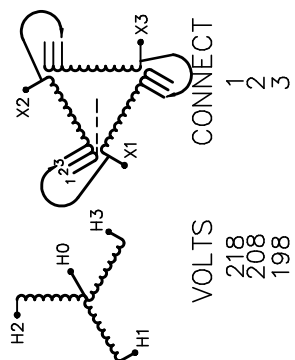


REVISION	DATE	BY	DATE	BY
			18/11/20	RM
		CHEK'D		
		VERIF'D		

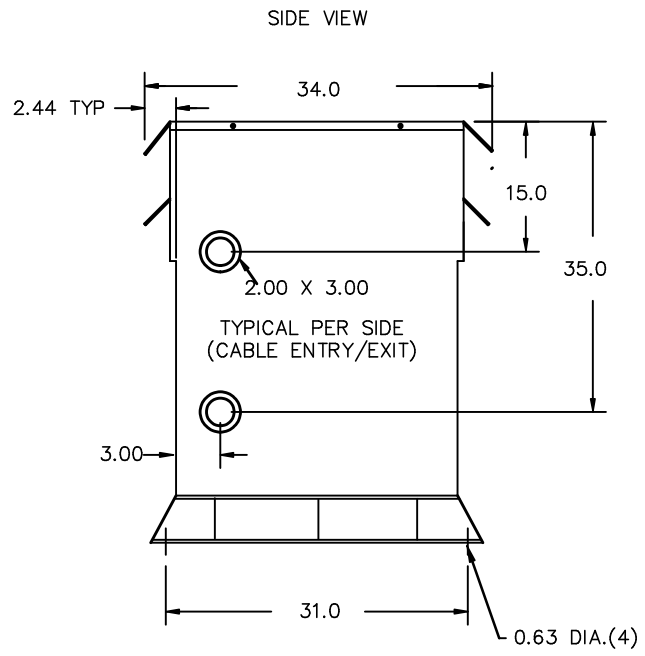
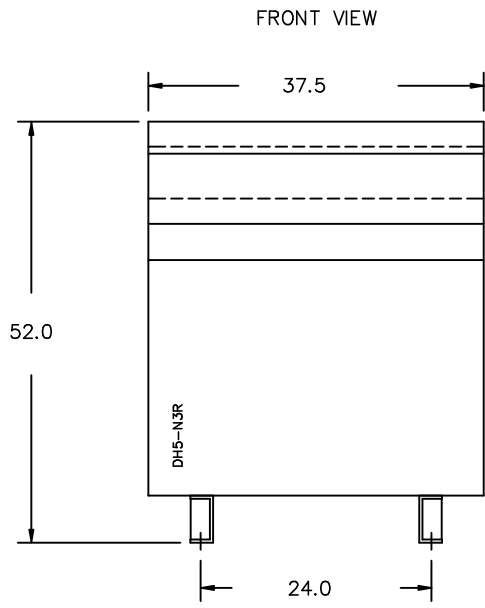
CUSTOMER	
ORDER NO.	DWG. NO.
	3B5S300D16
SH 1 OF 3	

SIEMENS

<p>CATALOG NO. 3B5S300D16</p> <p>SERIAL NO.</p> <p>300 kVA 60 Hz 3 PHASE</p> <p>4.2 % IMP AT 170 °C</p> <p>150 °C RISE 30 °C AVG. AMBIENT</p> <p>220 °C TEMP CLASS 40 °C MAX. AMBIENT</p> <p>PRIMARY (X1 X2 X3) 208 V 10kV BIL</p> <p>SECONDARY(H0 H1 H2 H3) 480Y/277 V 10kV BIL</p>	<p style="text-align: center;">WINDING MATERIAL AL</p> <p>ENCLOSURE TYPE 3R WEIGHT 2050LBS</p> <p>ENERGY EFFICIENCY EXCEEDS CSA DOE 10 CFR PART 431:2016 C802.2-2012</p> <p>SPACINGS BETWEEN ANY VENTILATED ENCLOSURE PANEL AND ANY ADJACENT WALL SHALL BE A MINIMUM OF 5 INCHES EXCEPT WHEN WALL MOUNTED USING APPROVED WALL MOUNTING KIT TRANSFORMER SUITABLE FOR STEP UP OPERATION ONLY</p> <p>SUITABLE FOR INDOOR OR OUTDOOR LOCATIONS BEFORE HANDLING, INSTALLING AND OPERATING, SEE INSTRUCTION MANUAL</p> <p>NEMA Class ANN Dry Type Transformer</p>	 <p style="text-align: center;">VOLTS CONNECT</p> <p style="text-align: center;">218 1 208 2 198 3</p>
		<p>TYPE K</p> <p>UL LISTED DRY TYPE TRANSFORMER E112313 LR 3902</p> <p>SEISMIC QUALIFICATIONS, FLOOR MOUNT ONLY OSP-0136-10 IBC 2012/ASCE 7-10 SDS<=2.0g Z/h=1 Ip=1.5</p>



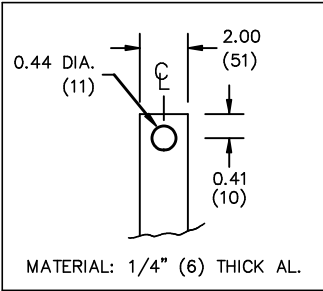
Siemens Industry, Inc.



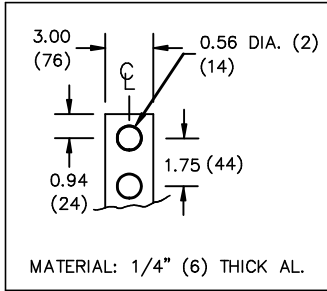
All Dimensions in inches

ENCLOSURE COLOR :ANSI 61 GREY – OUTDOOR

H.V.1. TERMINAL DETAIL



L.V.1. TERMINAL DETAIL



CUSTOMER NOTES:

- HV1 TERMINATED AT BOTTOM FRONT
- LV1 TERMINATED AT TOP FRONT

Siemens Industry, Inc.

REVISION	DATE	BY	DATE	BY
		DRAWN	18/11/20	RM
		CHEK'D		
		VERIF'D		

CUSTOMER		
ORDER NO.	DWG. NO.	
	3B5S300D16	SH 2 OF 3

ENCLOSURE BOTTOM VIEW



NOTE:
 WHEN BOTTOM CABLE ENTRY IS OPTED, THE SPACE USED FOR CONDUITS IN THE FRONT OF THE TRANSFORMER SHOULD NOT OBSTRUCT MORE THAN 50% OF THE FRONT AIR INTAKE AREA DEFINED BETWEEN THE BOTTOM PLATE AND THE SUPPORTING LEGS. SEE MANUAL FOR ADDITIONAL INFORMATION

Siemens Industry, Inc.

REVISION	DATE	BY	DATE	BY
		DRAWN	18/11/20	RM
		CHEK'D		
		VERIF'D		

CUSTOMER	
ORDER NO.	DWG. NO. 3B5S300D16
SH 3 OF 3	