

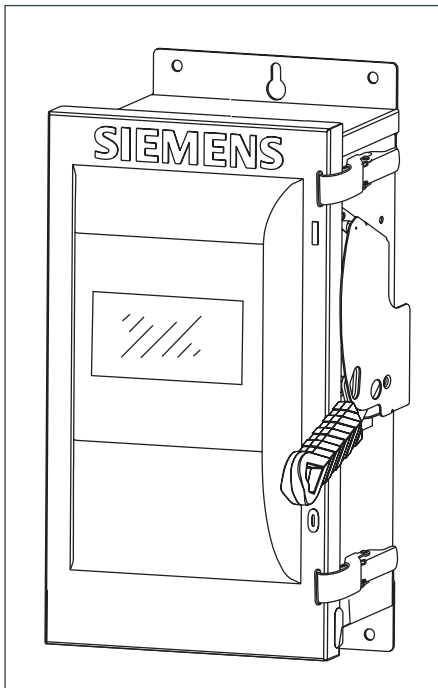
SIEMENS

Data Sheet

VBII Heavy Duty Safety Switch with Viewing Window

60A, 600V, Type 12 and 4/4X

usa.siemens.com/switches



Standards and Ratings

- UL Listed under file #E4776
- Meets UL98 for switches and UL50 for enclosures
- Meets NEMA Standard KS-1 for enclosed switches
- Meets NEC wire bending space requirements
- Rated 10,000 AIC with Class H fuses or 200,000 AIC with Class R and J fuses
- Rated 100,000 AIC at 600Vdc with Class R or J fuses
- 12t rated ($\text{Amps}^2 \times \text{Seconds} = 200,000$)
- 12X overload current rating exceeds standard 10X industry standard
- Suitable for use as service entrance equipment
- Includes internal shields which meet NEC 2020 230.62 line side barrier requirements

Features

- Quick-make and break switching action
- Double break visible blade design
- Highly visible ON/OFF indication
- Window permits viewing of both visible blades and indicating type fuses
- Rugged installer friendly enclosure design
- Modular design allows quick and easy replacement of part
- Front removable lugs which can easily be converted to copper body or compression type lugs
- Defeatable dual cover interlock

Product Specifications

Heavy Duty 600A, 600V Type 12 and 4/4X

General Information

| Catalog Number | Volts | Description | Shipping Weight (lbs.) |
|--|-------|----------------------------|------------------------|
| Type 12 Industrial ¹ | | | |
| HF362JW | 600 | 3 Pole, 3 Wire Fusible | 22 |
| HNF362JW | 600 | 3 Pole, 3 Wire Non-Fusible | 20 |
| Type 4/4X Stainless Steel | | | |
| HF362SW | 600 | 3 Pole, 3 Wire, Fusible | 23 |
| HF362SSW ⁶ | 600 | 3 Pole, 3 Wire, Fusible | 23 |
| HNF362SW | 600 | 3 Pole, 3 Wire Non-Fusible | 23 |
| HNF362SSW ⁶ | 600 | 3 Pole, 3 Wire Non-Fusible | 23 |

Horsepower Ratings^{2 3 4} – 600 Volts

| Catalog Number | 3 Phase, 480V AC | | 3 Phase, 600V AC | | 250V DC |
|------------------------|------------------|-----|------------------|-----|---------|
| | Std | Max | Std | Max | |
| HF362JW | 15 | 30 | 15 | 50 | 25 |
| HF362SW | 15 | 30 | 15 | 50 | 25 |
| HF361SSW | 15 | 30 | 15 | 50 | 25 |
| HNF362JW ⁵ | — | 50 | — | 60 | 25 |
| HNF362SSW ⁵ | — | 50 | — | 60 | 25 |
| HNF362SSW | — | 50 | — | 60 | 25 |

Mechanical Lug Wire Range (60/75°C, Cu/Al)

| Description | Wire Range |
|-----------------------|-------------------------------------|
| Line, Load Neutral | #12-2 AWG (Al) or #14-2 AWG (Cu) |
| Ground | #14-4 AWG |

Compression Lugs⁸

| Wire Size | Burdndy | | Thomas-Betts | | IlSCO | |
|-----------|--------------------------|--------|------------------|----------------|-----------------|-------|
| | CU Only | CU/AL | CU Only | CU/AL | CU Only | CU/AL |
| #14-10 | — | — | 256-30695-1352 | 60097 | — | — |
| #8 | YA8C-L1 BOX YA8C-TC14 | YA8CA3 | 54130 54930BE | 60102 61102 | — | ACL-8 |
| #6 | YA6C-L BOX YA6C | YA6CA1 | 54105 54905BE | 60107 61107 | CRB-6 CRB-6L | ACL-6 |
| #4 | — | — | 54106 | 61112 | CRB-4 | — |

¹ Also rated 3R/3S for outdoor use.

² Horsepower ratings listed also apply to Design E motors with no derating.

³ Dual horsepower ratings: Std - applies when non-time delay fuses are installed.
Max - applies when time-delay fuses are installed.

⁴ Also rated 10HP at 250V AC systems.

⁵ Also rated 20HP on 3Ø, 240V AC systems

⁶ The enclosure of catalog numbers HF362SSW and HNF362SSW is constructed from 316 grade stainless steel.

⁷ Place "DOOR" at the end of the switch catalog number.

⁸ If compression lugs are used for the neutral, order compression lug neutral barrier kit HCL623.

Accessories

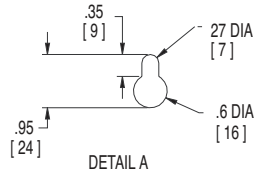
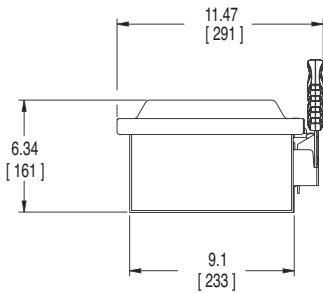
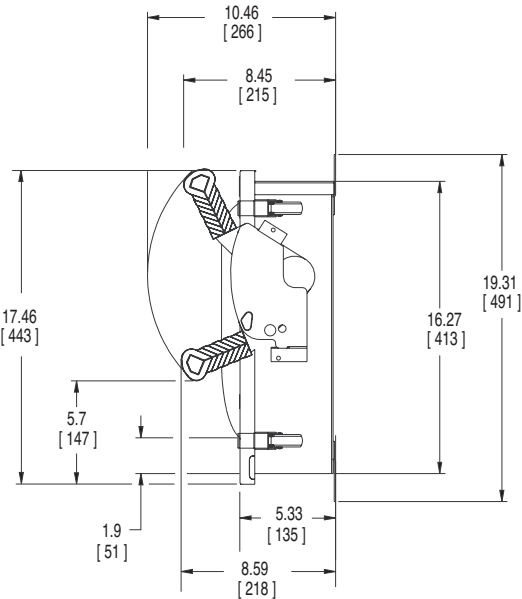
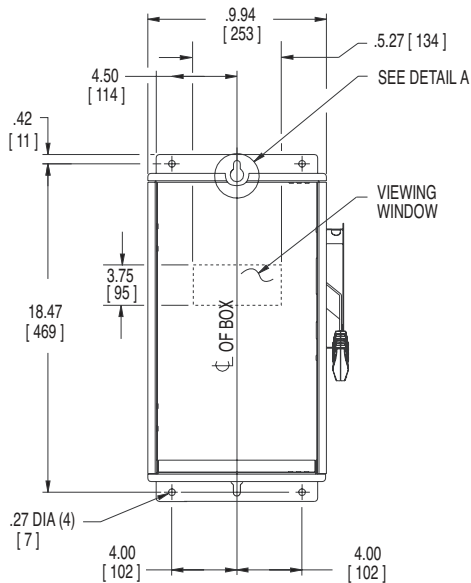
| Catalog Number | Description |
|----------------|---|
| HA161234 | One Normally Open and Closed Auxiliary Switches |
| HA261234 | Two Normally Open and Closed Auxiliary Switches |
| HA361234 | Low Voltage Auxiliary Switch |
| HG61234 | Equipment Ground Lug Kit (Factory installed) |
| HG261234 | Isolated Equipment Ground Lug Kit |
| HP62 | Fuse Puller |
| HN623 | Neutral Kit |
| HR62 | 600 Volt Class R Fuse Clip Kit (3 fuse clips per kit) |
| HLC612 | Copper Lug Kit (9 lugs per kit) |
| HLC623 | Compression Lug Neutral Barrier Kit |
| SSH100 | 1.00" Type 12 and 4X Hub |
| SSH150 | 1.50" Type 12 and 4X Hub |

Replacement Parts

| Catalog Number | Description |
|----------------|---|
| HFB62 | Fusible Line Side Replacement Base (HF362JW, HF362SW) |
| HBB62 | Fusible Load Side Replacement Base (HF362JW, HF362SW) |
| HN623 | Non-Fusible 600 Replacement Base (HNF362JW, HNF362SW) |
| HH6123 | Replacement Handle/Handle Guard (HH6123S for Type 4X) |
| HL612 | Replacement Lugs (3 lugs per kit) |
| HM6123 | Replacement Mechanism (HM6123S for Type 4X) |
| ⁷ | Replacement Door |

Dimension Drawings

Heavy Duty 600A, 600V Type 12 and 4/4X



No knockouts in enclosures.
 Dimensions shown in inches and millimeters (.).
 Dimension shown accurate to $\pm 1/8$ inch.

| | LINE SIDE WIRE BEND | LOAD SIDE WIRE BEND |
|------------|------------------------|------------------------|
| 600V fused | 3.54 (90) | 3.57 (91) |
| Non-Fused | 3.54 (90) | 8.68 (220) |

Type 12 Enclosure: Galvanized Steel
 .054 Thick (17 Gauge)
 Finish: ANSI Grey #61 Paint

HF362SW and HNF362SW
 Type 4X Enclosure: 304 Stainless Steel
 .055 Thick (17 Gauge)

HF362SSW and HNF362SSW
 Type 4X Enclosure: 316 Stainless Steel
 .055 Thick (17 Gauge)

Published by
Siemens Industry, Inc. 2021.

Siemens Industry, Inc.
 3617 Parkway Ln
 Peachtree Corners, GA 30092

For more information, please contact
 our Customer Support Center.
 Phone: 1-800-241-4453
 E-mail: info.us@siemens.com

usa.siemens.com/switches

Order No.: SSDS-HF6SW-0521
 Printed in U.S.A.
 © 2021 Siemens Industry, Inc.

The technical data presented in this document is based on an actual case or on as-designed parameters, and therefore should not be relied upon for any specific application and does not constitute a performance guarantee for any projects. Actual results are dependent on variable conditions. Accordingly, Siemens does not make representations, warranties, or assurances as to the accuracy, currency or completeness of the content contained herein. If requested, we will provide specific technical data or specifications with respect to any customer's particular applications. Our company is constantly involved in engineering and development. For that reason, we reserve the right to modify, at any time, the technology and product specifications contained herein.