

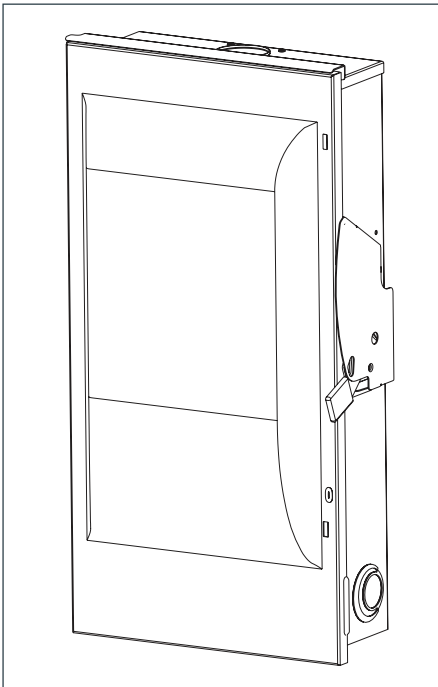
SIEMENS

Data Sheet

VBI General Duty Safety Switch

200A, 240V, Type 3R

usa.siemens.com/switches



Standards and Ratings

- UL Listed under file #E4776
- Meets UL98 for switches and UL 50 for enclosures
- Meets NEMA Standard KS-1 for enclosed switches
- Meets NEC wire bending space requirements
- Rated 10,000 AIC with Class H fuses or 100,000 AIC with Class R or T fuses
- Suitable for use as service entrance equipment
- Meets 2020 NEC 230.62 with addition of line side barrier kit (listed as accessory below)

Features

- Quick-make and break switching action
- Double break visible blade design
- Highly visible ON/OFF indication
- Rugged installer friendly enclosure design
- Modular design allows quick and easy replacement of parts
- Single cover interlock

Product Specifications

General Duty 200A, 240V, Type 3R

General Information

Catalog Number	Description	Shipping Weight (lbs.)
GF224NR ¹	2 Pole, 3 Wire Fusible	48
GF324NR	3 Pole, 4 Wire, Fusible	50
GNF324R	3 Pole, 3 Wire, Non-Fusible	47

Horsepower Ratings ²

Catalog Number	1 Phase, 3 Wire, 240V AC		3 Phase, 3 Wire, 240V AC		250V DC
	Std	Max	Std	Max	
GF224NR	15	—	25	60	40
GF324NR	15	—	25	60	40
GNF324R	—	15	—	60	40

Mechanical Lug Wire Range (60/75°C, Cu/Al)

Description	Wire Range
Line, Load, Neutral	#6 AWG - 300 Kcmil
Neutral Ground	#14-1/0 AWG
Ground Lug Kit	#14-4 AWG

Accessories

Catalog Number	Description
HG61234	Equipment Ground Lug Kit
HN64	Neutral Kit
HR64	Class R Fuse Clip Kit (3 fuse clips per kit) (GF224NR, GF324NR)
HT24	Class T Fuse Clip Kit (1-Pole per kit) (GF224NR, GF324NR)
HSK24B ³	Line Side Barrier Kit
H150	1.50" Type "HS" Outdoor Hub
H200	2.00" Type "HS" Outdoor Hub
H250	2.50" Type "HS" Outdoor Hub
HSK24B	Line Side Barrier Kit ⁴

Replacement Parts

Catalog Number	Description
HFB64	Fusible Line Side Replacement Base (GF224NR, GF324NR)
HBB64	Fusible Load Side Replacement Base (GF224NR, GF324NR)
HNB64	Non-Fusible Replacement Base (GNF324R)
GH24	Replacement Handle/Handle Guard
HM64	Replacement Mechanism
HL64	Replacement Lugs (3 lugs per kit)

¹ These switches are UL Listed for application on grounded B phase systems.

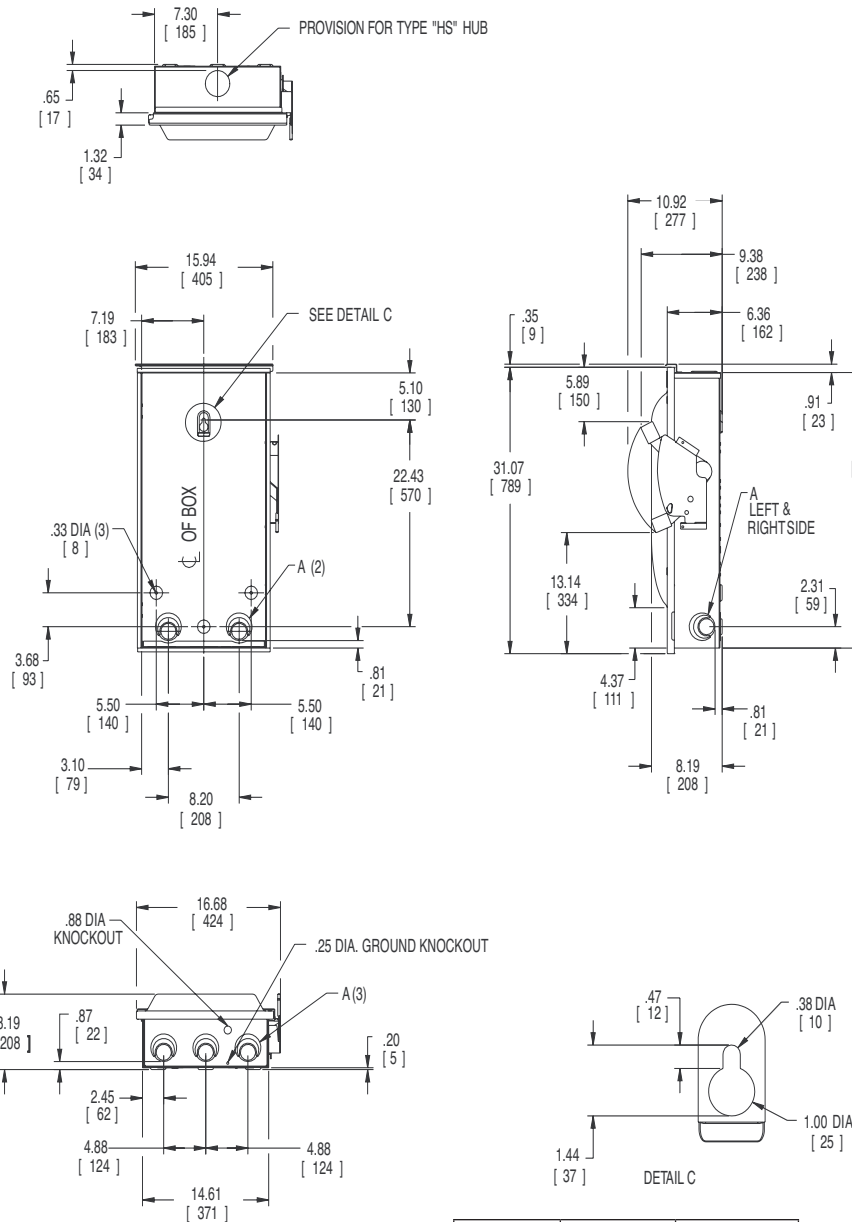
² Dual horsepower ratings: Std - applies when non-time delay fuses are installed.

Max - applies when time-delay fuses are installed

³ Internal shield which meets 2020 NEC 230.62 line side barrier requirements for service entrance equipment.

Dimension Drawings

General Duty 200A, 240V, Type 3R



Dimensions shown in inches and millimeters ().
Dimension shown accurate to ± 1/8 inch.

KNOCKOUT CODE	CONDUIT SIZE			
	1.25	1.50	2.00	2.50
A (Tangential)				

	LINE SIDE WIRE BEND	LOAD SIDE WIRE BEND
Fused	7.87 (200)	10.34 (263)
Non-Fused	7.87 (200)	15.84 (402)

Enclosure: Galvanized Steel
.054 Thick (17 Gauge)
Finish: ANSI Grey #61 Paint

Published by
Siemens Industry, Inc. 2021.

Siemens Industry, Inc.
3617 Parkway Ln
Peachtree Corners, GA 30092

For more information, please contact our Customer Support Center.
Phone: 1-800-241-4453
E-mail: info.us@siemens.com

usa.siemens.com/switches

Order No.: SSFL-GF23R-0521
Printed in U.S.A.
© 2021 Siemens Industry, Inc.

The technical data presented in this document is based on an actual case or on as-designed parameters, and therefore should not be relied upon for any specific application and does not constitute a performance guarantee for any projects. Actual results are dependent on variable conditions. Accordingly, Siemens does not make representations, warranties, or assurances as to the accuracy, currency or completeness of the content contained herein. If requested, we will provide specific technical data or specifications with respect to any customer's particular applications. Our company is constantly involved in engineering and development. For that reason, we reserve the right to modify, at any time, the technology and product specifications contained herein.