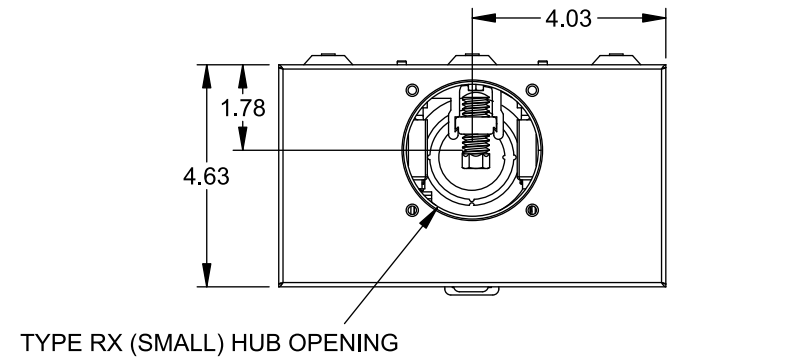
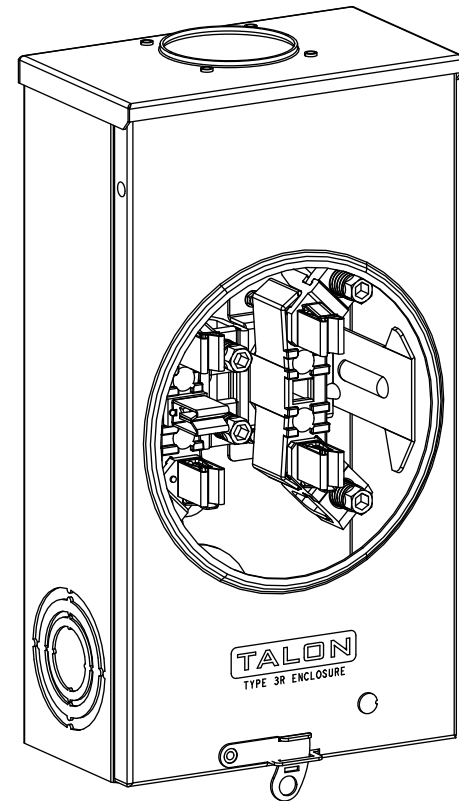


Catalog Number: UAT317-0MXA

Features and Ratings

- Ringless Type Meter Socket
- 200A Continuous, 250A Max., 600V AC
- Outdoor Enclosure (NEMA Type 3R)
- Painted G90 Steel
- 1 Phase, 3 Wire
- 5 Jaw Meter Socket
- Meter Socket Type UAT3
- For Overhead Service Only
- Small Hub Opening
- 7/16" Barrel Lock Provision w/Bracket



Accessories

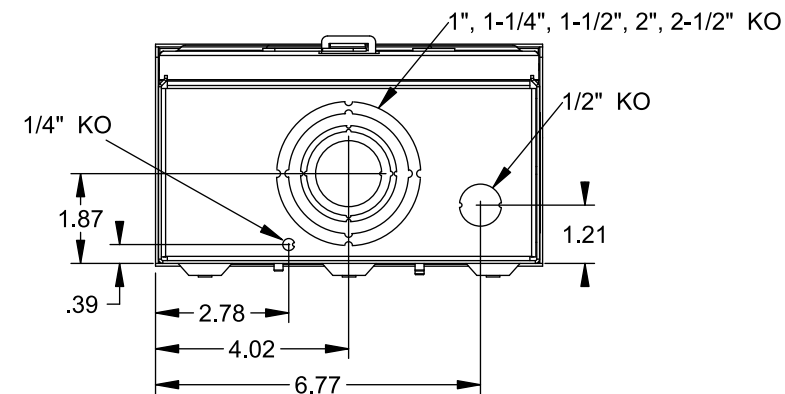
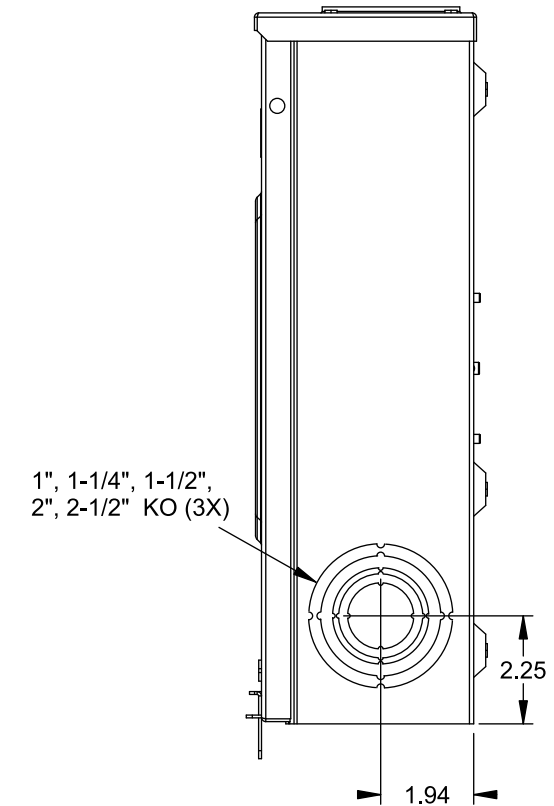
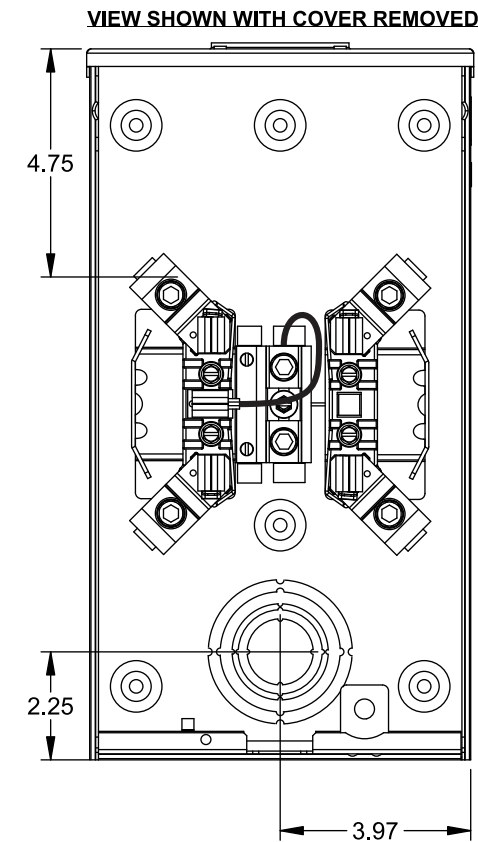
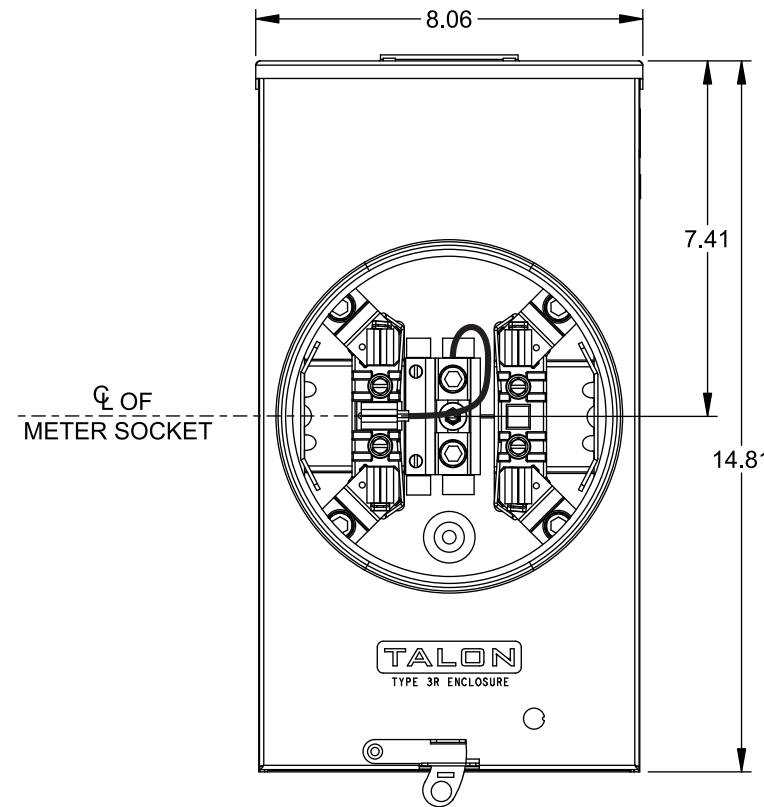
| CONDUIT HUBS (RX Type) | |
|------------------------|---------------------|
| TRADE SIZE | CATALOG No. |
| 1-1/4 INCH | EC38597 or H38597-2 |
| 1-1/2 INCH | EC38598 or H38598-2 |
| 2 INCH | EC38599 or H38599-2 |
| 2-1/2 INCH | EC38600 or H38600-2 |
| Hub Cover Plate | EC38595 or H38595-1 |

Meter Opening Cover Plate
Cat No: H659-0162
5th Jaw Kit
Cat. No: EC659-0121

Connectors, Wire Sizes and Torques

| CONNECTOR | WIRE SIZE | TORQUE |
|----------------------|----------------|--------------|
| LINE, LOAD, NEUTRAL* | #6 - 350 kcmil | 250 IN.-LBS. |
| GROUND | #2 - 14 AWG | 50 IN.-LBS. |

* External Hex Drive 1/2"
* Internal Hex Drive 5/16"



© 2015 Copyright Siemens Industry, Inc.

TALON
Meter Socket

Description: **200A Cont, 5 Jaw, UAT3, 600V AC, Painted Steel Enclosure**

JEL 6/30/15 | DO NOT SCALE DRAWING | Dwg No: **UAT317-0MXA**