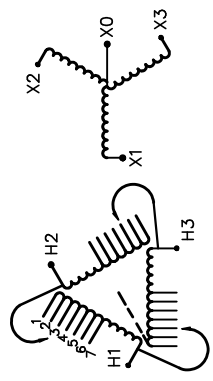


REVISION	DATE	BY	DATE	BY
		DRAWN	17/04/20	MA
		CHEK'D		
		VERIF'D		

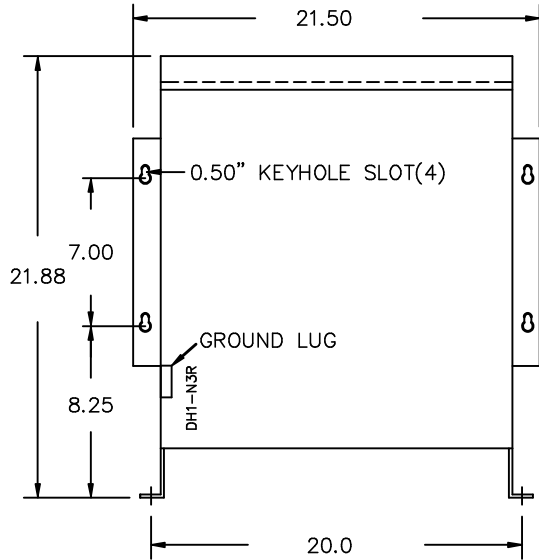
Siemens Industry, Inc.	
CUSTOMER	
ORDER NO.	DWG. NO.
	3F3Y015K13LN3D16 SH 1 OF 3

# SIEMENS

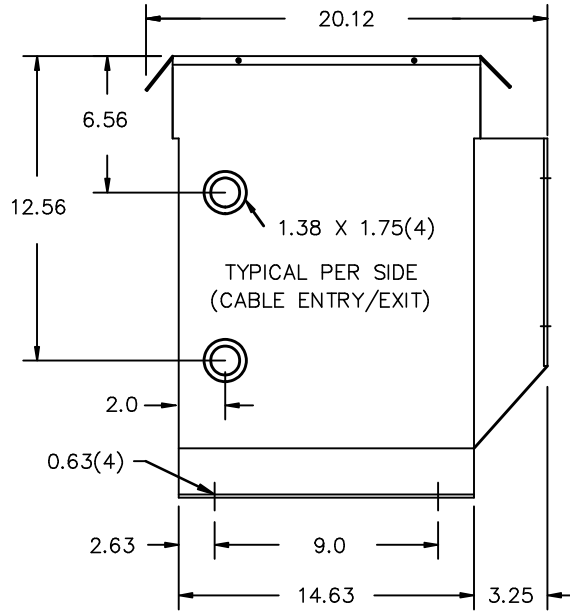
CATALOG NO. 3F3Y015K13LN3D16 SERIAL NO. SERIES H 15 kVA 60 Hz 3 PHASE 5 % IMP AT 170 °C			
150 °C RISE	30 °C AVG. AMBIENT	VOLTS CONNECT 504 492 480 468 456 444 432	
220 °C TEMP CLASS	40 °C MAX. AMBIENT	1 2 3 4 5 6 7	
PRIMARY ( H1 H2 H3 )	480 V 10 kV BIL		
SECONDARY( X0 X1 X2 X3 )	208Y/120 V 10 kV BIL		
WINDING MATERIAL	AL		
ENCLOSURE TYPE 3R	WEIGHT 175 LBS		
ENERGY EFFICIENCY EXCEEDS CSA C802.2-2012	DOE 10 CFR PART 431:2016		
SPACINGS BETWEEN ANY VENTILATED ENCLOSURE PANEL AND ANY ADJACENT WALL SHALL BE A MINIMUM OF 3 INCHES ELECTROSTATIC SHIELD SOUND LEVEL IS 3dB LOWER THAN NEMA ST20 REQUIREMENTS			
SUITABLE FOR NONSINUSOIDAL CURRENT LOAD WITH K-FACTOR NOT TO EXCEED K-13 SUITABLE FOR INDOOR OR OUTDOOR LOCATIONS BEFORE HANDLING, INSTALLING AND OPERATING, SEE INSTRUCTION MANUAL			
NEMA Class ANN Dry Type Transformer		Siemens Industry, Inc. Norcross, GA <small>dsu0087e</small>	



FRONT VIEW



SIDE VIEW



All Dimensions in inches

ENCLOSURE COLOR : ANSI-61 GREY PAINT OUTDOOR

H.V.1. TERMINAL DETAIL

L.V.1. TERMINAL DETAIL

MECHANICAL TYPE LUGS INCLUDED  
SUITABLE FOR #14-2 CU/AL  
CONDUCTORS  
1 CONDUCTOR PER PHASE

MECHANICAL TYPE LUGS INCLUDED  
SUITABLE FOR #14-2 CU/AL  
CONDUCTORS  
1 CONDUCTOR PER PHASE

CUSTOMER NOTES:

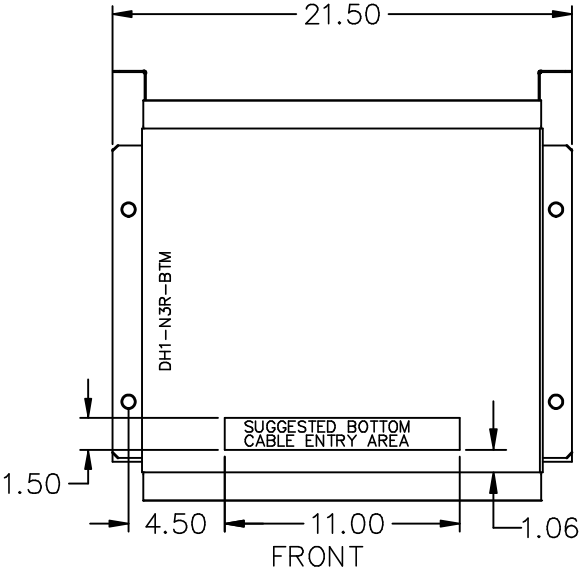
- HV1 TERMINATED AT TOP FRONT
- LV1 TERMINATED AT BOTTOM FRONT

Siemens Industry, Inc.

REVISION	DATE	BY	DATE	BY
			17/04/20	MA

CUSTOMER	
ORDER NO.	DWG. NO.
	3F3Y015K13LN3D16 SH 2 OF 3

ENCLOSURE BOTTOM VIEW



NOTE:  
 WHEN BOTTOM CABLE ENTRY IS OPTED, THE SPACE USED FOR CONDUITS IN THE FRONT OF THE TRANSFORMER SHOULD NOT OBSTRUCT MORE THAN 50% OF THE FRONT AIR INTAKE AREA DEFINED BETWEEN THE BOTTOM PLATE AND THE SUPPORTING LEGS.  
 SEE MANUAL FOR ADDITIONAL INFORMATION

Siemens Industry, Inc.

REVISION	DATE	BY	DATE	BY
		DRAWN	17/04/20	MA
		CHEK'D		
		VERIF'D		

CUSTOMER		
ORDER NO.	DWG. NO.	
	3F3Y015K13LN3D16	SH 3 OF 3