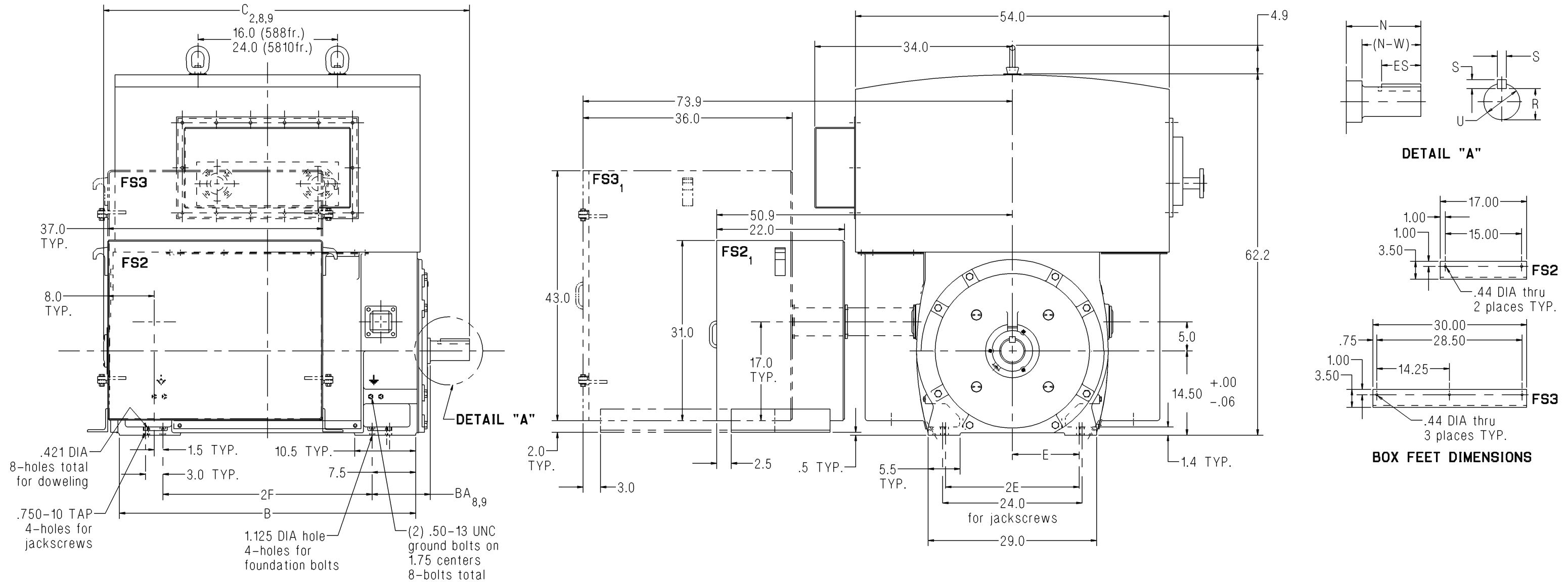


Dimension Prints for Above NEMA Motors



**Notes:**

1. Main conduit box is free standing and must be supported from below by customer. A removable bottom plate is supplied on the FS2 and FS3 conduit boxes. A 12.0" spacer is supplied on both frames for the FS2 conduit box. A 21.0" spacer is supplied on both frames for the FS3 conduit box.
2. C = Length of motor from drive end of shaft to end of non-drive end of motor.
3. V = (N-W)-0.25" = length of shaft available for coupling.
4. 2 Pole machines may rotate in one direction only.
5. Shims may be necessary under motor feet for direct connection.
6. Short shaft or long shaft is for direct connection.
7. Adding a rotating labyrinth seal to the drive end does not change any dimensions.
8. Adding a ground brush increases BA and C by:  
2 Pole: 1.55" 4 Pole & Slower: 1.55" Long Shaft 4 Pole & Slower: 1.55"
9. Adding a ground brush with rotating labyrinth seal increases BA and C by:  
2 Pole: 1.55" 4 Pole & Slower: 1.55" Long Shaft 4 Pole & Slower: 1.55"

**Standard Dimensions in Inches**

Shaft	Frame	Speed	B	BA <sub>8,9</sub>	C <sub>2,8,9</sub>	E	2F	N	(N-W)	R	S	U	V <sub>3</sub>	ES	Approx. Ship Wt. (Lbs)
Short	588S	2 Pole	43.0	10.00	55.1	11.5	28.0	7.00	6.75	2.450	0.750	2.875	6.50	5.0	6600
Short	588S	4 Pole & Slower	43.0	10.00	56.4	11.5	28.0	8.25	8.00	3.436	1.00	4.000	7.75	6.0	6800
Short	5810S	2 Pole	51.0	10.00	63.1	11.5	36.0	7.00	6.75	2.450	0.750	2.875	6.50	5.0	7900
Short	5810S	4 Pole & Slower	51.0	10.00	64.4	11.5	36.0	8.25	8.00	3.436	1.00	4.000	7.75	6.0	8100
Long	588	4 Pole & Slower	43.0	10.00	63.0	11.5	28.0	14.90	14.62	4.169	1.25	4.875	14.38	13.0	6800
Long	5810	4 Pole & Slower	51.0	10.00	71.0	11.5	36.0	14.90	14.62	4.169	1.25	4.875	14.38	13.0	8100

**Certification:** Customer \_\_\_\_\_ P.O. \_\_\_\_\_ S.O. \_\_\_\_\_ Item \_\_\_\_\_  
 HP \_\_\_\_\_ RPM \_\_\_\_\_ Frame \_\_\_\_\_ PH/HZ/Volts 3/\_\_\_\_\_/\_\_\_\_\_  
 By \_\_\_\_\_ Date \_\_\_\_\_ Terminal Box Size FS2  FS3   
 Comments \_\_\_\_\_  
 Not for construction, installation or application purposes unless certified.