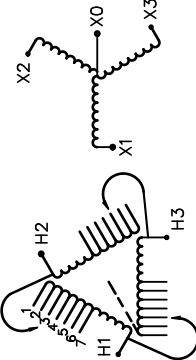


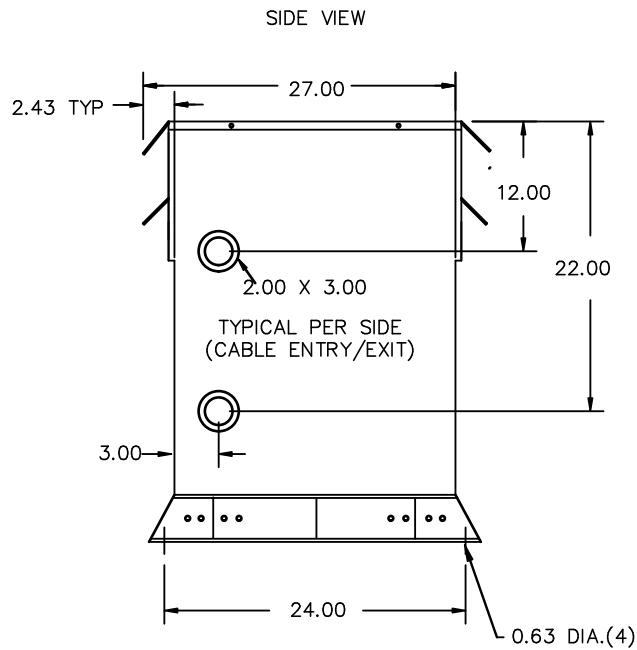
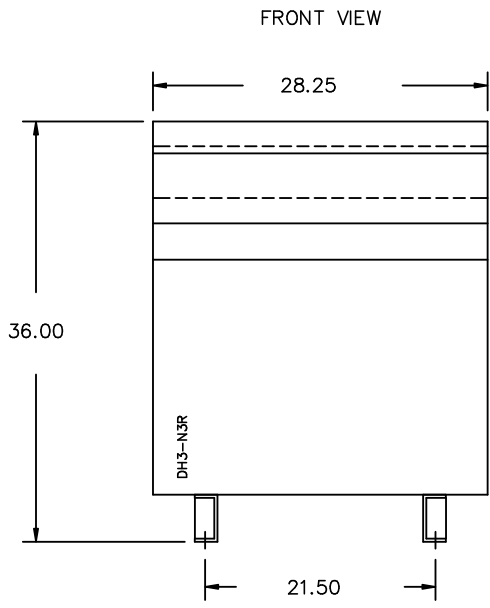
SIEMENS

| | | | |
|---|--------------------------|---|---------------|
| CATALOG NO. 3F3Y075K13CD16BA SERIAL NO. SERIES H 75 kVA 60 Hz 3 PHASE 3.7 % IMP AT 170 °C | |  | |
| 150 °C RISE | 30 °C AVG. AMBIENT | VOLTS | 504 |
| 220 °C TEMP CLASS | 40 °C MAX. AMBIENT | CONNECT | 1 2 3 4 5 6 7 |
| PRIMARY (H1 H2 H3) | 480V V 10 kV BIL | | |
| SECONDARY(X0 X1 X2 X3) | 208Y/120V V 10 kV BIL | | |
| WINDING MATERIAL CU | | | |
| ENCLOSURE TYPE 3R | WEIGHT 640 LBS | | |
| ENERGY EFFICIENCY EXCEEDS CSA C802.2-2012 | DOE 10 CFR PART 431:2016 | | |
| SPACINGS BETWEEN ANY VENTILATED ENCLOSURE PANEL AND ANY ADJACENT WALL SHALL BE A MINIMUM OF 5 INCHES EXCEPT WHEN WALL MOUNTED USING APPROVED WALL MOUNTING KIT ELECTROSTATIC SHIELD | | | |
| SUITABLE FOR NONSINUSOIDAL CURRENT LOAD WITH K-FACTOR NOT TO EXCEED K-13 SUITABLE FOR INDOOR OR OUTDOOR LOCATIONS BEFORE HANDLING, INSTALLING AND OPERATING; SEE INSTRUCTION MANUAL | | | |
| NEMA Class ANN Dry Type Transformer | | Siemens Industry, Inc. Norcross, GA 30092 | |



| REVISION | DATE | BY | DATE | BY |
|----------|------|---------|----------|----|
| | | DRAWN | 16/04/06 | PP |
| | | CHEK'D | | |
| | | VERIF'D | | |

| | |
|---|----------------------------|
| Confidential - Property of Siemens Industry, Inc. | |
| CUSTOMER | |
| ORDER NO. | DWG. NO. |
| | 3F3Y075K13CD16BA SH 1 OF 2 |



All Dimensions in inches

ENCLOSURE COLOR :ANSI 61 GREY – OUTDOOR

H.V.1. TERMINAL DETAIL

L.V.1. TERMINAL DETAIL

MECHANICAL TYPE LUGS INCLUDED
SUITABLE FOR #2/0-14 CU/AL
CONDUCTORS
1 CONDUCTOR PER PHASE

MECHANICAL TYPE LUGS INCLUDED
SUITABLE FOR 600MCM-2 CU/AL
CONDUCTORS
1 CONDUCTOR PER PHASE

CUSTOMER NOTES:

- HV1 TERMINATED AT TOP FRONT
- LV1 TERMINATED AT BOTTOM FRONT

Confidential – Property of
Siemens Industry, Inc.

| REVISION | DATE | BY | DATE | BY |
|----------|------|---------|----------|----|
| | | DRAWN | 16/04/06 | PP |
| | | CHEK'D | | |
| | | VERIF'D | | |

| | |
|-----------|--|
| CUSTOMER | |
| ORDER NO. | DWG. NO. 3F3Y075K13CD16BA SH 2 OF 2 |

0.1 dcortez 2016/04/13 17:45