

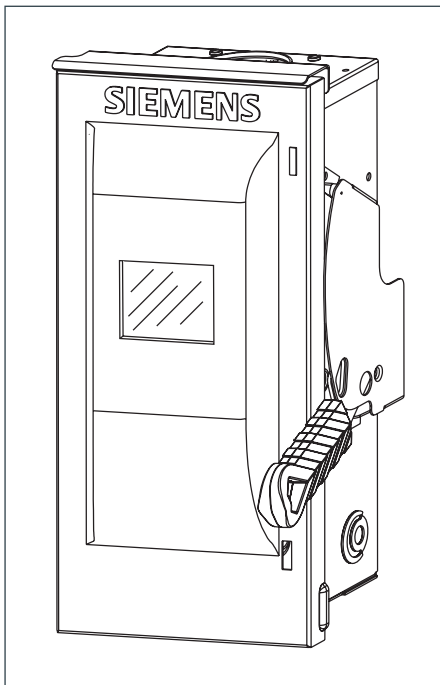
SIEMENS

Data Sheet

VBII Heavy Duty Safety Switch with Viewing Window

60 A, 600V, Type 3R

usa.siemens.com/switches



Standards and Ratings

- UL Listed under file #E4776
- Meets UL98 for switches and UL 50 for enclosures
- Meets NEMA Standard KS-1 for enclosed switches
- Meets NEC wire bending space requirements
- Rated 10,000 AIC with Class H fuses or 200,000 AIC with Class R or J fuses
- 60A switches rated 10,000 AIC at 600Vdc with Class R or J fuses
- Rated 10,000 AIC at 250Vdc with Class R or J fuses
- I^2t rated (Amps² x Seconds = 200,000)
- 12X overload current rating exceeds 10X industry standard
- Suitable for use as service entrance equipment
- Includes internal shields which meet 2020 NEC 230.62 touch safe requirements for service entrance equipment

Features

- Quick-make and break switching action
- Double break visible blade design
- Highly visible ON/OFF indication
- Window permits viewing of both visible blades and indicating type fuses in HF362RW
- Rugged installer friendly enclosure design
- Modular design allows quick and easy replacement of parts
- Front removable lugs which can easily be converted to copper body or compression type lugs
- Defeatable dual cover interlock

Product Specifications

Heavy Duty 60A, 600V Type 3R

General Information

Catalog Number	Volts	Description	Shipping Weight (lbs.)
HF362RW	600	3 Pole, 3 Wire, Fusible	20
HNF362RW	600	3 Pole, 3 Wire, Non-Fusible	19

Horsepower Ratings ^{1 2 3} – 600 Volts

Catalog Number	1 Phase, 480V AC		3 Phase, 600V AC		600V DC
	Std	Max	Std	Max	
HF362RW	15	30	15	50	25
HNF362RW ⁴	—	50	—	60	25

Mechanical Lug Wire Range (60/75°C, Cu/Al)

Description	Wire Range
Line, Load	#12-2 AWG (Al) or #14-2 AWG (Cu)
Neutral	#14-4 AWG
Ground	#14-4 AWG

Accessories

Catalog Number	Description
HA161234	One Normally Open and Closed Auxiliary Switches
HA261234	Two Normally Open and Closed Auxiliary Switches
HA361234	Low Voltage Auxiliary Switch
HG61234	Equipment Ground Lug Kit
HG261234	Isolated Equipment Ground Lug Kit
HP62	Fuse Puller (3 per kit)
HN623	Neutral Kit
HR62	60A 600 Volt Class R Fuse Clip Kit (3 fuse clips per kit)
HLC612	Copper Lug Kit (9 lugs per kit)
HCL623	Compression Lug Neutral Barrier Kit
HS075	0.75" Type "HS" Outdoor Hub
HS100	1.00" Type "HS" Outdoor Hub
HS125	1.25" Type "HS" Outdoor Hub

Replacement Parts

Catalog Number	Description
HFB62	Fusible 600 Volt Line Side Replacement Base
HBB62	Fusible 600 Volt Load Side Replacement Base
HH623	Replacement Handle/Handle Guard
HL6123	Replacement Lug (3 lugs per kit)
HM6123	Replacement Mechanism

Compression Lugs ⁵

Wire Size	Burdny		Thomas-Betts		IlSCO	
	CU Only	CU/AL	CU Only	CU/AL	CU Only	CU/AL
#14-10	—	—	256-30695-1352	60097	—	—
#8	YA8C-L BOX YA8C-TC14	YA8CA3	54130 54930BE	60102 61102	—	ACL-8
#6	YA6C-L BOX YA6C	YA6CA1	54105 54905BE	60107 61107	CRB-6 CRB-6L	ACL-6
#4	—	—	54106	61112	CRB-4	—

¹ Dual horsepower ratings: Std - applies when non-time delay fuses are installed.
Max - applies when time-delay fuses are installed.

² Horsepower ratings listed also apply to Design E motors with no derating.

³ 60A switches also rated 10HP at 250V DC.

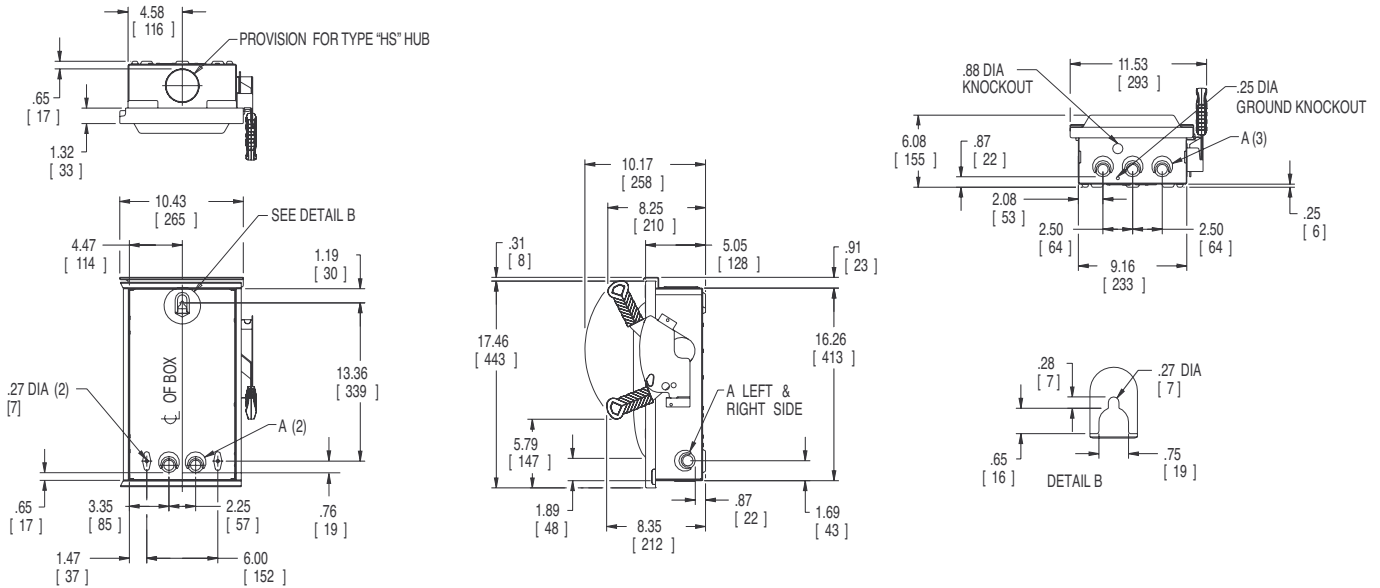
⁴ 60A switches also rated 20HP on 3Ø, 240V AC systems.

⁵ If compression lugs are used for the neutral, order compression lug neutral barrier kit HCL623.

Note: A viewing window is supplied in the door which is 5.27" wide and 3.75" high and is centered over the visible blades.

Dimension Drawings

Heavy Duty 60A, 600V Type 3R



Dimensions shown in inches and millimeters ().
Dimension shown accurate to + 1/8 inch.

KNOCKOUT CODE	CONDUIT SIZE			
	.50	.75	1.00	1.25
A (Tangential)				

	LINE SIDE WIRE BEND	LOAD SIDE WIRE BEND
600V Fused	3.54 (90)	3.57 (91)
Non-Fused	3.54 (90)	8.68 (220)

Enclosure: Galvanized Steel
.054 Thick (17 Gauge)
Finish: ANSI Grey #61 Paint

Published by
Siemens Industry, Inc. 2021.

Siemens Industry, Inc.
3617 Parkway Ln
Peachtree Corners, GA 30092

For more information, please contact
our Customer Support Center.
Phone: 1-800-241-4453
E-mail: info.us@siemens.com

usa.siemens.com/switches

Order No.: SSDS-HF6RW-0521
Printed in U.S.A.
© 2021 Siemens Industry, Inc.

The technical data presented in this document is based on an actual case or on as-designed parameters, and therefore should not be relied upon for any specific application and does not constitute a performance guarantee for any projects. Actual results are dependent on variable conditions. Accordingly, Siemens does not make representations, warranties, or assurances as to the accuracy, currency or completeness of the content contained herein. If requested, we will provide specific technical data or specifications with respect to any customer's particular applications. Our company is constantly involved in engineering and development. For that reason, we reserve the right to modify, at any time, the technology and product specifications contained herein.