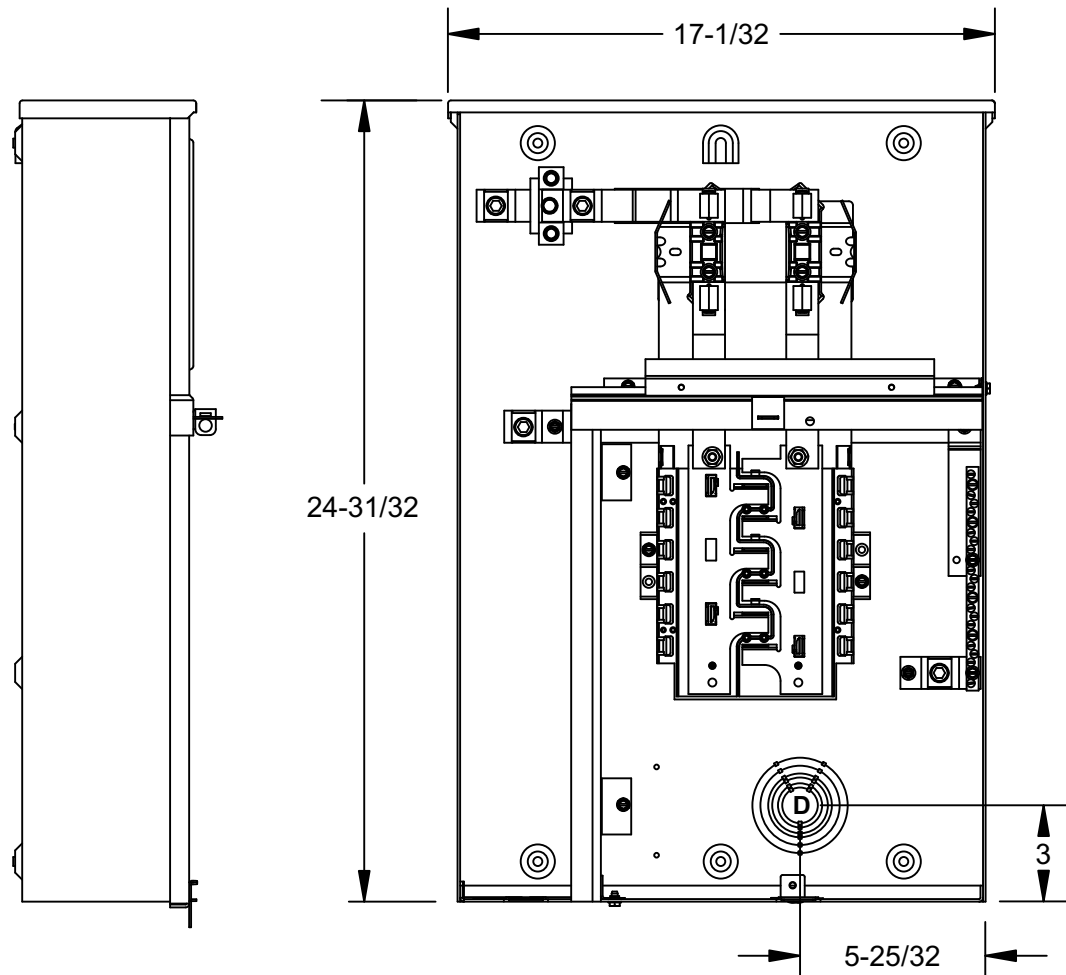
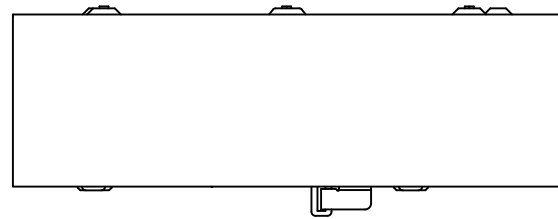


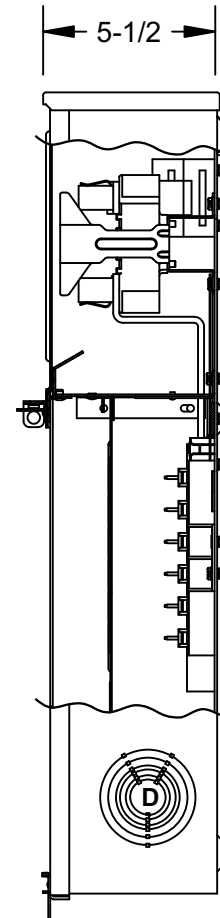
# Catalog Number: MC0606L1200RAD

## Features and Ratings

- 200 Amps Max, 10K AIC Max Rated
- 1 Phase, 3 Wire 120/240V AC
- 200 Amps Continuous, Ringless Meter Socket
- For Underground Service
- Aluminum Enclosure
- Provisions for up to 6 Disconnects

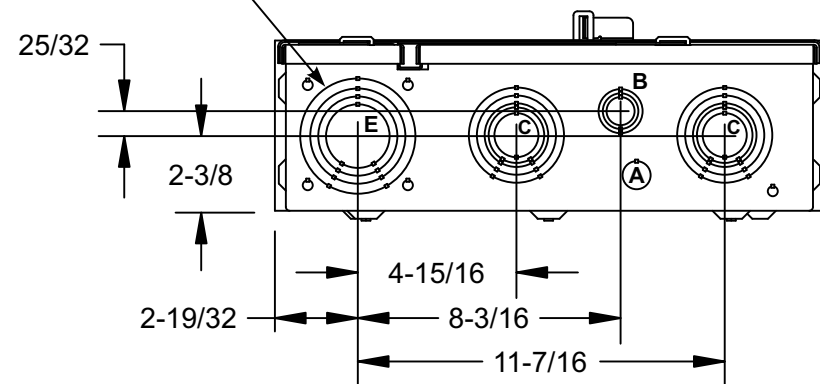


View Shown with Covers and Deadfront Removed



Partial Section

Provision for HC Type Hub



Knockouts (inches)	
A:	1/2 DIA.
B:	1/2, 3/4, 1
C:	1, 1-1/4, 1-1/2, 2, 2-1/2
D:	3/4, 1, 1-1/4, 1-1/2, 2, 2-1/2
E:	1-1/2, 2, 2-1/2, 3

## Accessories

- Filler Plate Cat. No. QF3 or ECQF3
- 2/0-#4 Lug kit: ECLK2SC (Torque 45 Lb-Ins.)
- 5th Jaw Assembly: EC5J2
- Mechanical Breaker Interlock: ECQML12
- Meter Socket Jumper: ECJS
- Equipment Grounding Bar: ECGB10

### Type HC Hubs

Trade size (in)	Catalog number
<i>HC Type Hub (bottom endwall)</i>	
2"	ECHC200
2 1/2"	ECHC250
3"	ECHC300

## Wire Sizes and Torques

(see schematic)

TERMINALS	WIRE	TORQUE
A, B, N1	#6 AWG - 350 kcmil	250 LB-INS
N2	#6 AWG - 250 kcmil	250 LB-INS
GROUND BARS (USE TYPE ECGB GROUND BAR KIT ACCESSORY)	10-14 CU/10-12 AL 8 AWG 6-4 AWG	20 LB-INS 25 LB-INS 35 LB-INS
GROUND CONDUCTORS ONLY	(2)or(3) 14 AWG (2) 12-10 AWG	20 LB-INS 20 LB-INS

### Neutral Bar Wire Size

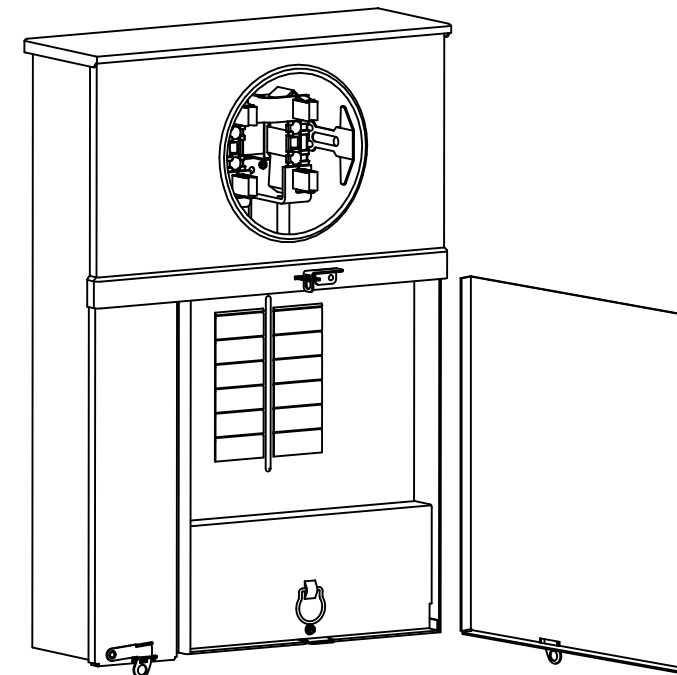
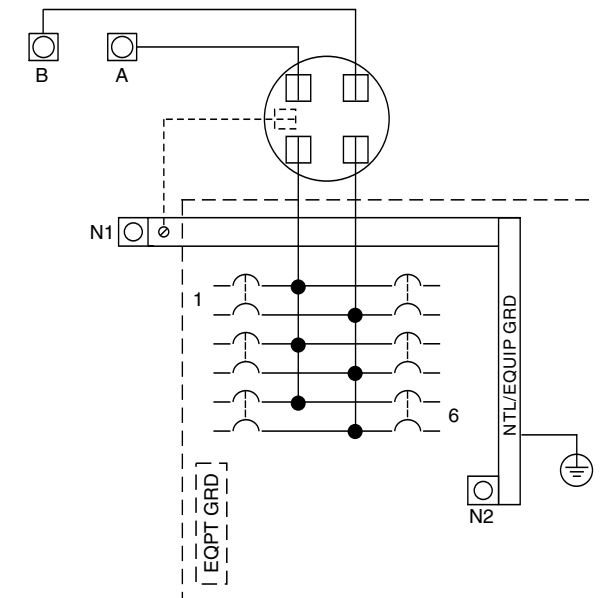
Suitable for 60°/75°C Conductors.

TERMINALS	WIRE	TORQUE
SMALL TERMINALS	10 - 14 AWG 8 AWG 6 AWG	20 LB-IN 25 LB-IN 35 LB-IN
LARGE TERMINALS	10 - 14 AWG 8 AWG 1/0 - 6 AWG	35 LB-IN 40 LB-IN 45 LB-IN

All unused neutral bar terminals may be used to terminate equipment grounding wires.

## Schematic

All Circuit Breakers are Service Disconnects.  
Use Two-Pole Breakers Only.



© 2010 Copyright Siemens Industry, Inc.

Siemens Industry, Inc.  
Building Technologies Division

## Meter Load Center Combination

Description:  
**200A 0606 Ringless Aluminum UG**

Size B	Dwg. No. MC0606L1200RAD
Dwn KAM	Date 5/10/10
DO NOT SCALE DRAWING	SHEET 1 OF 1