

IF IN DOUBT ASK
DO NOT SCALE

FRAME TERMINAL BLOCK ASSY:-

ASSEMBLY INSTRUCTIONS:-
AT INDICATED POSITIONS FIT AS FOLLOWS:
T - FIT TRIP ISOLATION CONTACT
S - FIT STANDARD CONTACT
SECURE CONTACTS USING FIXING SCREW
POSITIONS SHOWN BLANK ARE UNUSED

2	T	T	1
4	T	T	3
6	T	T	5
8	T	T	7
10	T	T	9
12	T	T	11
14	T	T	13
16	T	T	15
18		T	17
20		T	19
22		T	21
24	S	T	23
26			25
28	S	S	27

VIEW FROM NUMBERED SIDE OF BLOCK
(INSIDE OF CASE)

OUTER TERMINAL BLOCK ASSY:-

ASSEMBLY INSTRUCTIONS:-
TYPICAL OUTER BLOCK ASSY DWG
AT INDICATED POSITIONS FIT AS FOLLOWS:
S - FIT STANDARD OUTER CONTACT
POSITIONS SHOWN BLANK ARE UNUSED
ALL POSITIONS FIT SCREW .

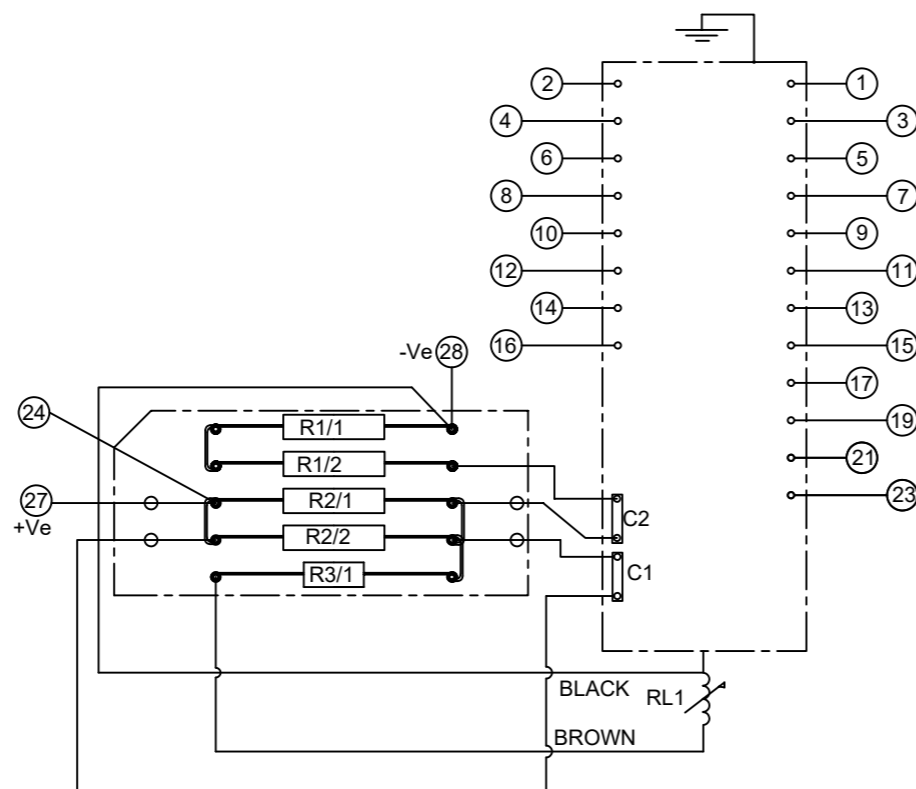
2	S	S	1
4	S	S	3
6	S	S	5
8	S	S	7
10	S	S	9
12	S	S	11
14	S	S	13
16	S	S	15
18		S	17
20		S	19
22		S	21
24	S	S	23
26			25
28	S	S	27

VIEW FROM NUMBERED SIDE OF BLOCK
(REAR SIDE OF THE DEVICE)

MATERIAL: MATERIAL.

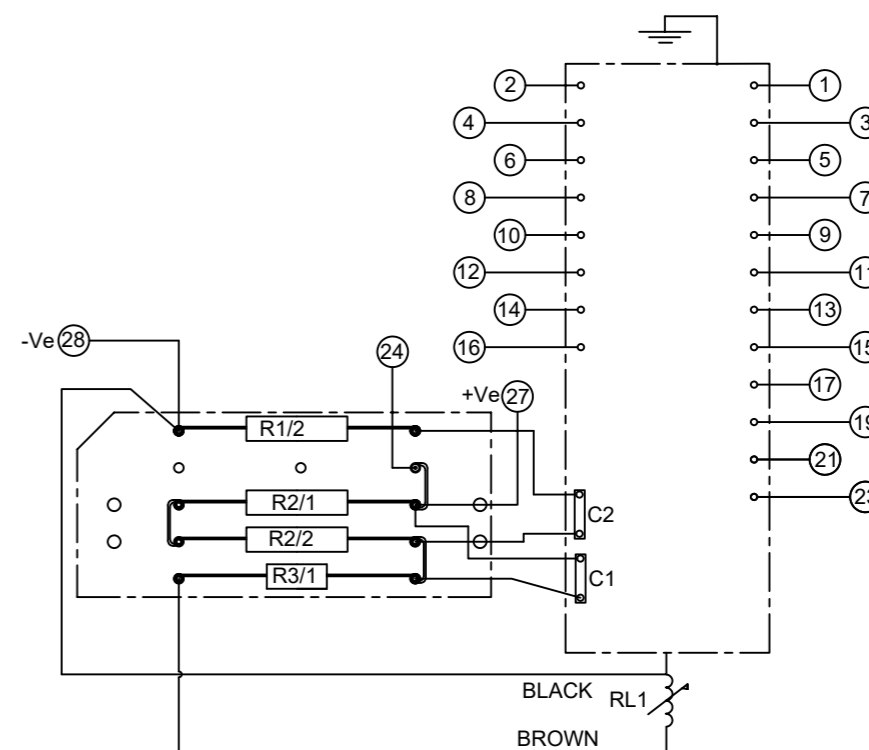
Dimensions in millimetres : Surface texture in micrometres.
Machine where marked ✓
For explanation of dimensions, tolerances, notes etc. see B.S.308.
Limit on untoleranced unmachined dimensions ± _____
Limits on untoleranced machined dimensions to B.S.4500;
i.e. up to 6±0.1; over 30 to 120±0.3; over 315±0.8;
over 6 to 30±0.2; over 120 to 315±0.5;
General unmachined angular tolerance ± _____

Earthing Connected through panel chassis



DC 125V VARIANT

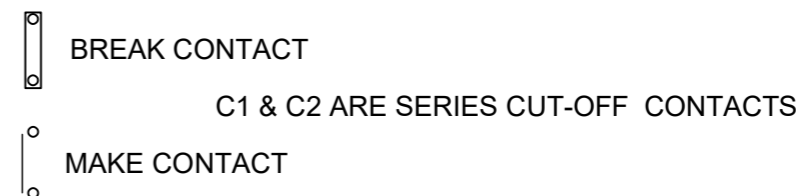
Earthing Connected through panel chassis



DC 240V VARIANT

	RESISTOR DETAILS					Coil Details (RL1)
	R1/1	R1/2	R2/1	R2/2	R3/1	
125VDC	2nos 100R ±1%, 14W(W24)		2nos 3K9 ±1%, 14W(W24)		1no 270R ±5% 6W(W22)	106285707/C53207A 383C747 1 Coil (2112G20020) 125VDC
240VDC	NA	1no 470R ±5%, 14W (W24)	1no 2.2K ±5% 14W(W24)	1no 4.7K ±5% 14W(W24)	1no 270R ±5% 6W(W22)	106181961/C53207A 383C790 1 Coil (2112G20023) 240VDC

Trip Coil	+Ve	27								
Supply	-Ve	28								
Coil Supervision		24								
CONTACT CONFIG.	OUTPUT CONTACT PAIR/TERMINAL NO.									
	1-3	2-4	5-7	6-8	9-11	10-12	13-15	14-16	17-19	21-23
10M	0B	M	M	M	M	M	M	M	M	M
8M	2B	B	B	M	M	M	M	M	M	M
6M	4B	B	B	B	M	M	M	M	M	M



Copyright © YEAR Siemens Protection Devices Ltd. Hebburn

1	16/10/2019	CHANGE
ISSUE	DATE	NOTED

Dimensions in millimetres : Surface texture in micrometres. Machine where marked ✓ For explanation of dimensions, tolerances, notes etc. see B.S.308. Limit on untoleranced unmachined dimensions ± _____ Limits on untoleranced machined dimensions to B.S.4500; i.e. up to 6±0.1; over 30 to 120±0.3; over 315±0.8; over 6 to 30±0.2; over 120 to 315±0.5; General unmachined angular tolerance ± _____	Finish:	Title: WIRING DIAGRAM FOR 7PJ15212 (SELF RESET TRIP RELAY)	First used on:
	Treatment:	SIEMENS LTD.	Similar Articles:
		Original Scale: NTS	Supersedes:
			Drg. No. 2112W60002
DRAWN : VC	CHECKED	APPROVED : NC	DATE 16/10/2019
IE	OPS	PCP	Purch.Spec. TQ
EAC	EAC.	CE	STD
A3			