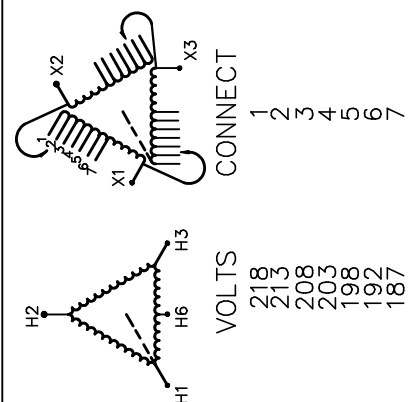


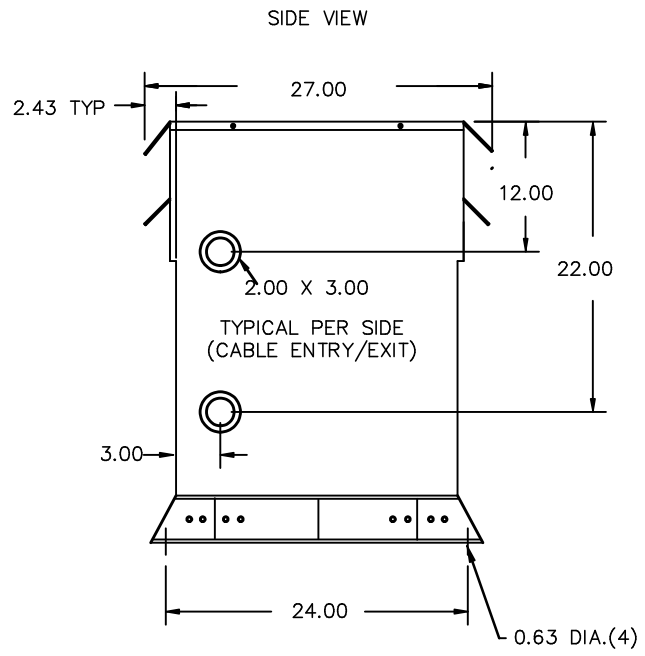
REVISION	DATE	BY	DATE	BY
1	CORRECTED PRI/SEC	18/11/05	PP	VERIF'D
			DRAWN	18/07/27
			CHEK'D	

CUSTOMER		
ORDER NO.	DWG. NO.	1
	3B1Y112D16	SH 1 OF 3

SIEMENS

<p>CATALOG NO. 3B1Y112D16</p> <p>SERIAL NO.</p> <p>112.5 kVA 60 Hz 3 PHASE</p> <p>4.1 % IMP AT 170 °C</p>	<p>SERIES H</p> <p>30 °C AVG. AMBIENT</p> <p>40 °C MAX. AMBIENT</p> <p>PRIMARY (X1 X2 X3) 208V V 10 kV BIL</p> <p>SECONDARY(H1 H2 H3) 240V V 10 kV BIL</p>	 <p>VOLTS</p> <p>218</p> <p>213</p> <p>208</p> <p>203</p> <p>198</p> <p>192</p> <p>187</p> <p>CONNECT</p> <p>1</p> <p>2</p> <p>3</p> <p>4</p> <p>5</p> <p>6</p> <p>7</p>
<p>WINDING MATERIAL AL</p> <p>ENCLOSURE TYPE 3R WEIGHT 765 LBS</p> <p>EXCEEDS CSA</p> <p>ENERGY EFFICIENCY PART 4.31:2012 C802.2-2012</p>		<p>TYPE K</p> <p>DRY TYPE TRANSFORMER</p> <p>7715</p> <p>E112313</p> <p>LISTED</p> <p>SEISMIC QUALIFICATIONS, FLOOR MOUNT ONLY</p> <p>OSP-0136-10 IBC 2012/ASCE 7-10</p> <p>SDS<=2.0g Z/h=1 Ip=1.5</p>
<p>SPACINGS BETWEEN ANY VENTILATED ENCLOSURE PANEL AND ANY ADJACENT WALL SHALL BE A MINIMUM OF 5 INCHES EXCEPT WHEN WALL MOUNTED USING APPROVED WALL MOUNTING KIT</p> <p>SUITABLE FOR INDOOR OR OUTDOOR LOCATIONS BEFORE HANDLING, INSTALLING AND OPERATING, SEE INSTRUCTION MANUAL</p> <p>NEMA Class ANN Dry Type Transformer</p>		





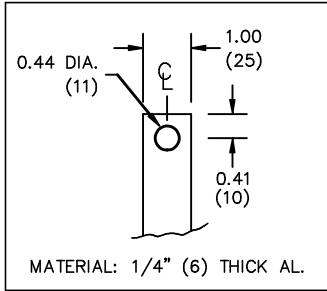
All Dimensions in inches

ENCLOSURE COLOR :ANSI 61 GREY – OUTDOOR

HV TERMINAL DETAIL

LV TERMINAL DETAIL

MECHANICAL TYPE LUGS INCLUDED
SUITABLE FOR 600MCM-2 CU/AL
CONDUCTORS
1 CONDUCTOR PER PHASE



CUSTOMER NOTES:

- HV TERMINATED AT BOTTOM FRONT
- LV TERMINATED AT TOP FRONT

Siemens Industry, Inc.

REVISION	DATE	BY	DATE	BY
			18/07/27	PP
			CHEK'D	
1	18/11/05	PP	VERIF'D	

CUSTOMER		
ORDER NO.	DWG. NO.	1
	3B1Y112D16	SH 2 OF 3

ENCLOSURE BOTTOM VIEW



NOTE:
 WHEN BOTTOM CABLE ENTRY IS OPTED, THE SPACE USED FOR CONDUITS IN THE FRONT OF THE TRANSFORMER SHOULD NOT OBSTRUCT MORE THAN 50% OF THE FRONT AIR INTAKE AREA DEFINED BETWEEN THE BOTTOM PLATE AND THE SUPPORTING LEGS.
 SEE MANUAL FOR ADDITIONAL INFORMATION

Siemens Industry, Inc.

REVISION	DATE	BY	DATE	BY	CUSTOMER
			18/07/27	PP	
			CHEK'D		
1	18/11/05	PP	VERIF'D		ORDER NO.
					DWG. NO.
					3B1Y112D16
					1
					SH 3 OF 3