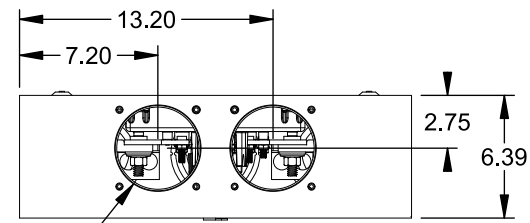


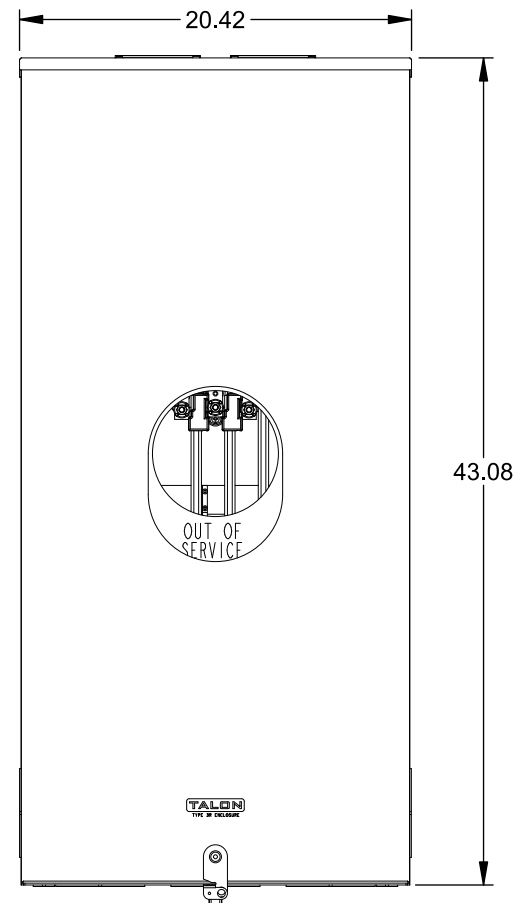
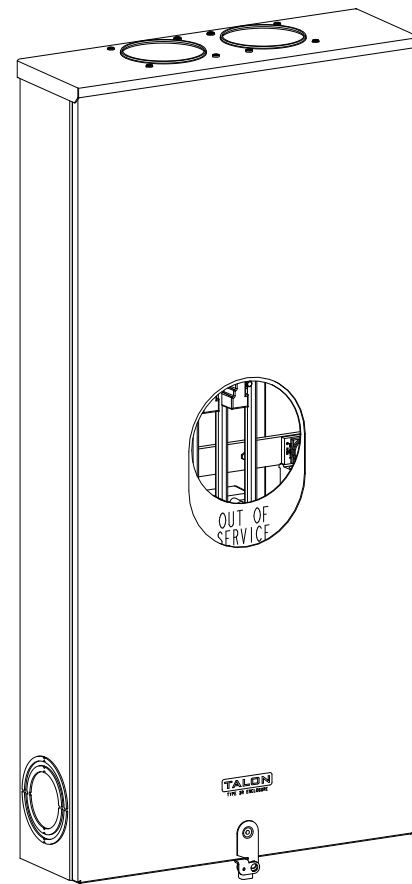
Catalog Number: 9817-9503

Features and Ratings

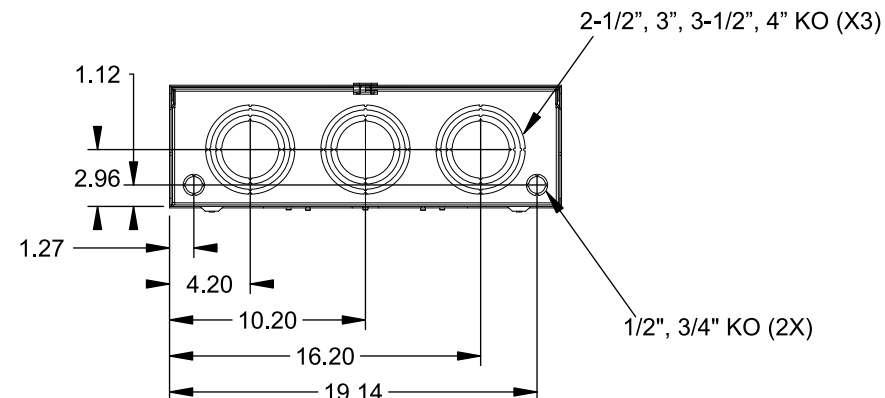
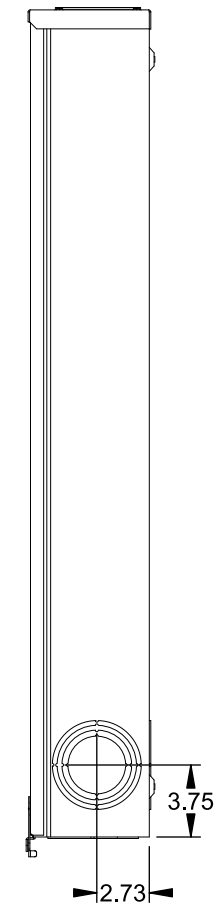
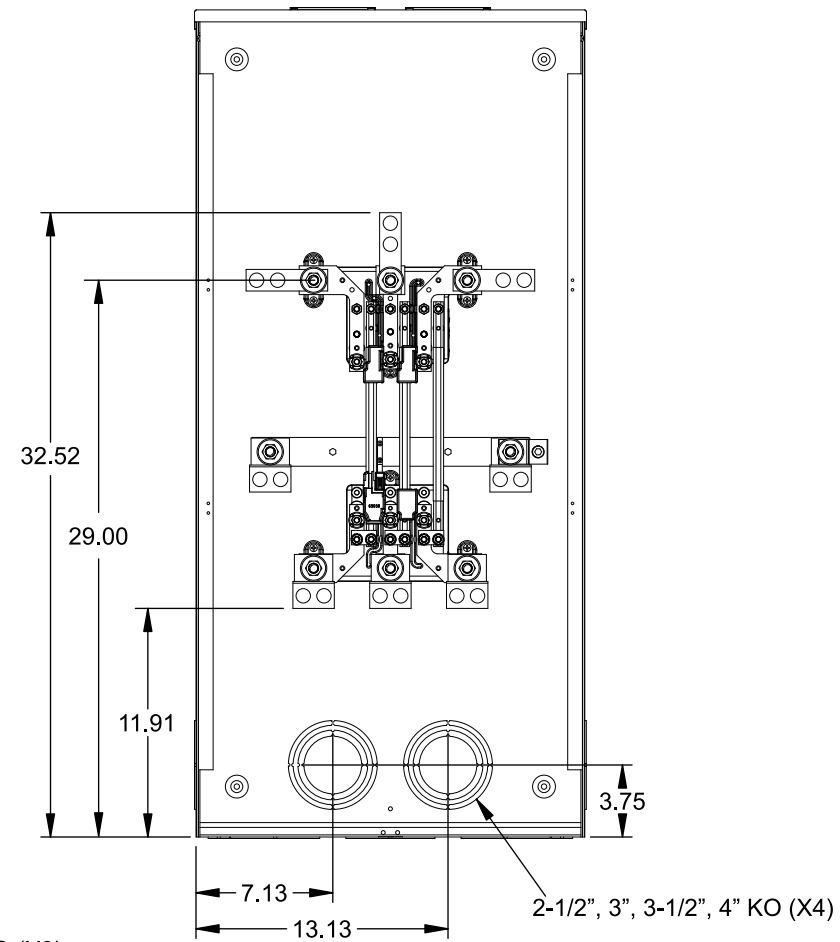
- Ringless Type Meter Socket
- 480A Continuous, 600A Max., 600V AC
- Outdoor Enclosure (NEMA Type 3R)
- Painted G90 Steel Enclosure
- 3 Phase, Commercial/Industrial Socket
- Meter Socket Type K-7T
- For Overhead & Underground Service
- Two Large Hub Openings



(2) TYPE HD (LARGE) HUB OPENINGS



VIEW SHOWN WITH COVER REMOVED



Accessories

| CONDUIT HUBS (HD Type) | |
|------------------------|---------------------|
| TRADE SIZE | CATALOG No. |
| 3 INCH | EC56856 or H56856-2 |
| 3-1/2 INCH | EC56857 or H56857-2 |
| 4 INCH | EC56858 or H56858-2 |
| Hub Cover Plate | EC56933 or H56933S |

| CAT No. | DESCRIPTION |
|----------|------------------------|
| H69623 | Bypass |
| H69685-1 | Isolated Neutral Kit |
| H69546-1 | Hex Magnet Socket Kit |
| H69232-1 | Insulated T-Handle Kit |
| H65050 | K-base Insulator Kit |
| H63864 | K-base Ground Kit |

Connectors, Wire Sizes and Torques

| CONNECTOR | PART No. | HEX DRIVE | WIRE SIZE | TORQUE |
|----------------|----------|-----------|-------------------|-------------|
| LINE* | 56427-M | 3/8" | (2)#4 - 500 kcmil | 375 IN-LBS. |
| LOAD* | 56732-M | 3/8" | (2)#4 - 500 kcmil | 375 IN-LBS. |
| NEUTRAL* | 56732-M | 3/8" | (2)#4 - 500 kcmil | 375 IN-LBS. |
| LINE/LOAD/NEUT | 68752-1 | 5/16" | (3)#6 - 250 kcmil | 275 IN-LBS. |
| GROUND* | 56734 | 5/16" | #6 - 250 kcmil | 275 IN-LBS. |

*Factory Installed

© 2016 Copyright Siemens Industry, Inc.

TALON
Meter Socket

Description: **480A Cont, 4 Terminal, K-7T, 600V AC, Painted Steel Enclosure**

JEL 2/1/16 | DO NOT SCALE DRAWING | Dwg No: **9817-9503**