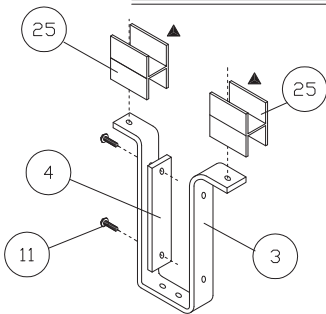


⚠ DANGER
 Hazardous voltage. Will cause death or serious injury.
 Keep out. Qualified personnel only. Disconnect and lock off all power before working on this equipment.

LOCATION DIMENSIONS



TORQUE VALUES

12 10 50 in-lbs. AL.
 72 in-lbs. CU.

NOTES

- (1) FOR PROVISIONS - FILL BLANK SPACE WITH ITEMS #25
- (2) FOR W/SE STRAP KITS SUB-ASSEMBLE ITEMS 3, 4 & 11 BEFORE PACKING

6	1C-267A	3-8-00
5	1C-174B	
4	1C-156	
3	8A-093	
2	973	

1	440	Rev	C.N.	Date	Unless otherwise specified dimensions are in inches Tolerances are non-cumulative and are as follows unless specified otherwise. .XX ± .030 .XXX ± .015 Angular ± 2' Do not scale drawing		Confidential - Property of Siemens Industry, Inc. Building Technologies Division	
0	414	Chk	RHR	Date	3-8-00	Dwg No. 11-5098-00		Rev. 6
		Apvd	RHR	Date	3-8-00	Scale	NONE	Sheet 1 of 1

Apvd S. H. 4-19-89	ITEM	DESCRIPTION	PC. NO.	QTY.
	1	F6 ØAC FRONT BRANCH BUS	12-7031-01	2
	2	F6 ØAC REAR BRANCH BUS	12-7032-01	2
	* 3	F6 ØB BRANCH BUS	12-7033-01	1
	* 4	F6 ØB HEAT SINK	11-6846-01	2
	5	F6 MOUNTING BRACKET	15-B-3018-02	2
	6	5" F6 COVER PLATE	12-6028-01	1
	7	CIRCUIT I. D. CARD	11-7505-01	2
	8	CARD HOLDER	11-7506-01	2
	9	1/4-20 X 3/8 SHWHSW	11-1553-02	4
	▲ 10	STRAP-BUS HARDWARE KIT	** 11-B-2023-05	1
	* 11	8-32 X 5/8 IHWSW	11-1512-07	4
	12	1/4-20 X 1" SHWHSW	11-1553-09	6
	13	1/4-20 X 4" SRHMS	11-1542-19	4
	14	1/4-20 X 5/8 SHWHSW	11-1553-06	2
	15	BLANK FILLER	12-5531-10	2
	16			
	17			
	18			
	19			
	20			
	21			
	22	NEUTRAL LUG ASSEMBLY	12-B-2105-07	2
	23			
	24			
	25	ØB BARRIER (FOR PROVISIONS)	11-7548-02	4
	26			
	27			
	28	INSTRUCTION SHEET	31-1218-01	1
	29	CARTON LABEL	15-A-1027-01	1
	30	CARTON	48001056	1
	31			
	32			
	33			
	34	* SUB-ASSEMBLE ITEMS 3, 4 & 11 BEFORE PACKING		
	35	FOR SHIPMENT		
	36			
	37			
	38	FD6 FRAME BRANCH BREAKER-TWIN MOUNTED		
	39	70-250A		
	40	FOR BREAKER TYPES: FXD6, FD6, HFD6 ▲		
	41			
	42	** USE 11-B-2022-05 FOR B-PHASE ▲		
	43			
	44	MERCHANDISE KIT NO. SF6D		

Revisions 0: 1A-0664: 1C-174B 1-5-98	1: 1B-190 1-27-92	5: 1C-206 01-26-98
2: 1B-908 4-13-95	6: 1C-267A 1-18-00	
3: 1C-155B 08-13-97	7: 1C-430A 2-21-01	

Chk S. H. 4-19-89	40	FOR BREAKER TYPES: FXD6, FD6, HFD6 ▲
By F 2-9-89	42	** USE 11-B-2022-05 FOR B-PHASE ▲
	43	
	44	MERCHANDISE KIT NO. SF6D

Confidential - property of Siemens Industry, Inc. Norcross, GA Building Technologies Division	FD6 FRAME MOUNTING S4/S5 COPPER BRANCH BUS	11-5098-03 Dwg No.	9
Title	Sht. 1	Of 1	Rev.

FOR USE WITH FXD6, FD6 AND HFD6 FRAME BREAKERS MOUNTED IN SPP/FPP/S5/F2/P5 PANELBOARDS (DEEP BOX).