

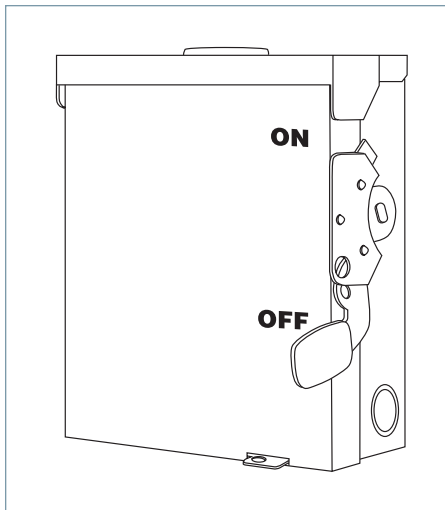
SIEMENS

Data Sheet

General Duty Safety Switch

30A 240V, Type 3R

usa.siemens.com/switches



Standards and Ratings

- UL Listed under file #E4776
- Meets UL98 for switches and UL50 for enclosures
- Meets NEMA Standard KS-1 for enclosed switches
- Meets NEC wire bending space requirements
- Suitable for use as service entrance equipment

Features

- Quick-make and break switching action
- Double break visible blade design
- Highly visible ON/OFF indication
- Factory installed ground

Product Specifications

General Duty 30A 240V, Type 3R

General Information

Catalog Number	Description	Shipping Weight
LNF221R	General Duty Enclosed Switch	3.5

Horsepower Ratings

1 Phase, 120V AC		1 Phase, 240V AC		3 Phase, 240V AC	
Standard	Max	Standard	Max	Standard	Max
1/2	2	1-1/2	3	-	-

Accessories & Hub Kits

Catalog Number	Description
ECHA075 ①	0.75" Type "HA" Outdoor Hub
ECHA100 ①	1.00" Type "HA" Outdoor Hub
ECHA125 ①	1.25" Type "HA" Outdoor Hub
W410190 ②	30A GD Neutral Kit
GSGK60 ③	Ground Lug Kit 30-60A

Wire Torque Information

Application	Wire Size	Nominal Torque
Mechanical Lug - Wire Connector	14-10 AWG	15 Lb. In.
	8 AWG	18 Lb. In.
	6 AWG	27 Lb. In.
GSGK60 Ground Lug Kit ④	14-10 AWG	35 Lb. In.
	8 AWG	40 Lb. In.
	6 AWG	45 Lb. In.

Mechanical Lug Wire Ranges

Description	Wire Range
Line & Neutral Terminals ③	14-6 Cu/ 12-6 Al 60°/75° C Wire
Load Terminals ③	14-8 Cu/ 12-8 Al 60°/75° C Wire

① Use closure plate screws provided to mount hubs.

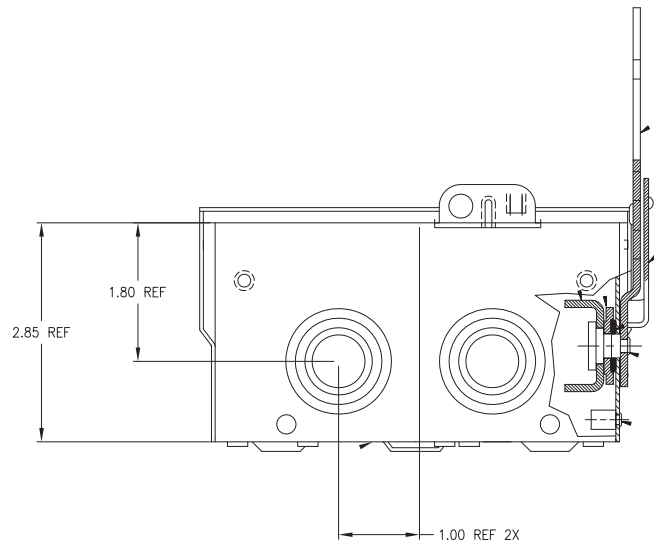
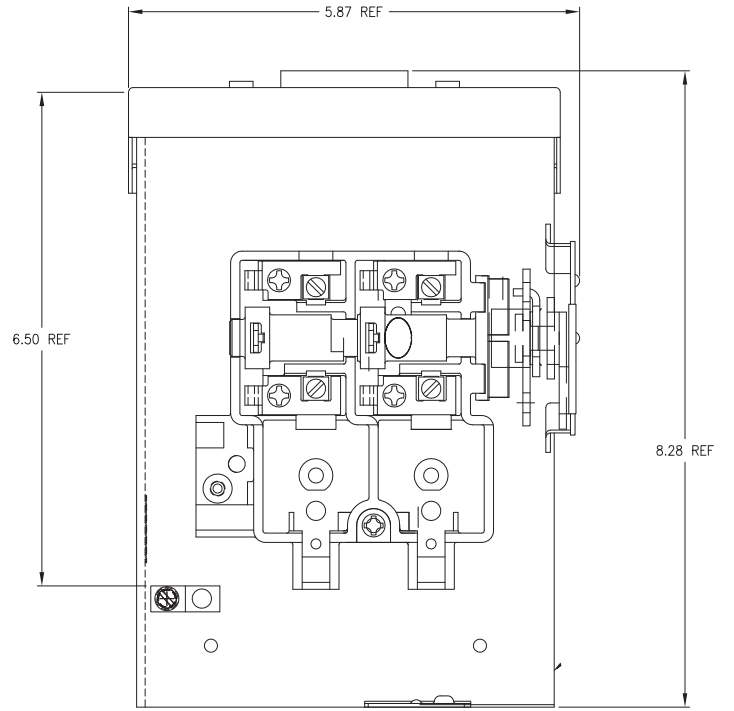
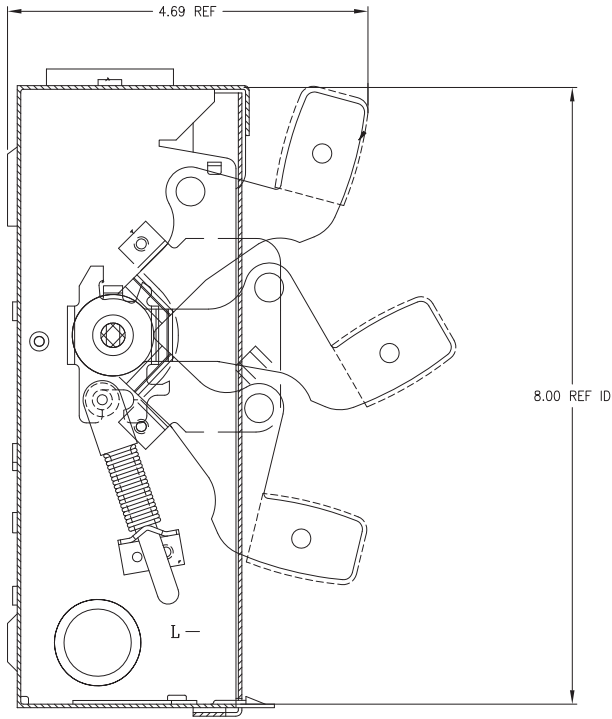
② To bond enclosure to neutral, use No. 10 screw provided. Force the screw through the aluminum seal.

③ See "Wire Torque Information" table for specific wire torque values.

④ Use Cu/Al 60°/75° C Wire.

Dimension Drawing

General Duty 30A 240V, Type 3R



Legal Manufacturer

Siemens Industry, Inc.
3617 Parkway Ln
Peachtree Corners, GA 30092
United States of America

Telephone: +1 (800) 333-7421
www.usa.siemens.com/switches

Order No. SSFL-G323R-0721
© 07.2021, Siemens Industry, Inc.

This document contains a general description of available technical options only, and its effectiveness will be subject to specific variables including field conditions and project parameters. Siemens does not make representations, warranties, or assurances as to the accuracy or completeness of the content contained herein. Siemens reserves the right to modify the technology and product specifications in its sole discretion without advance notice.