

Installation Instructions



⚠ DANGER

Hazardous voltage.
Will cause death or serious injury.

Turn power off supplying device before installing.

Types: JD Frame Types JXD2(-A), JXD6(-A), HJXD6(-A), HHJXD6, and CJD6(-A). LD Frame Types LXD6(-A), HLXD6(-A), HHLXD6, and CLD6(-A). ETI Motor Circuit Interrupters Types JXD6(-A) ETI, CJD6(-A) ETI, LXD6(-A) ETI, and CLD6(-A) ETI. JM / LM Frame Types JM6, JMK, LM6, LMK. Solid State Molded Case Circuit Breaker Sentron Series II: JD Frame Types SJD6(-A), SHJD6(-A), SCJD6(-A), and JDFP(-A); LD Frame Types SLD6(-A), SHLD6(-A), SCJD6(-A), and LDFP(-A).

⚠ SAFETY INSTRUCTIONS

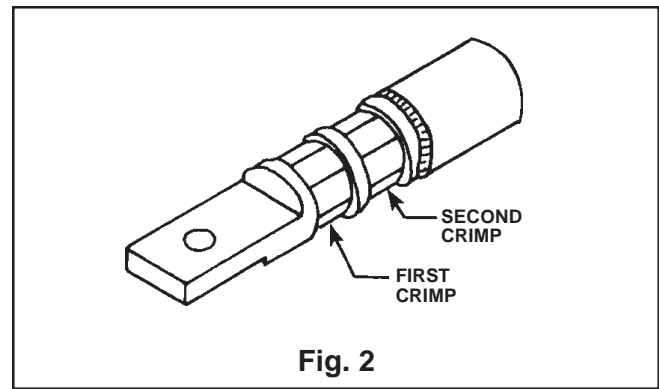
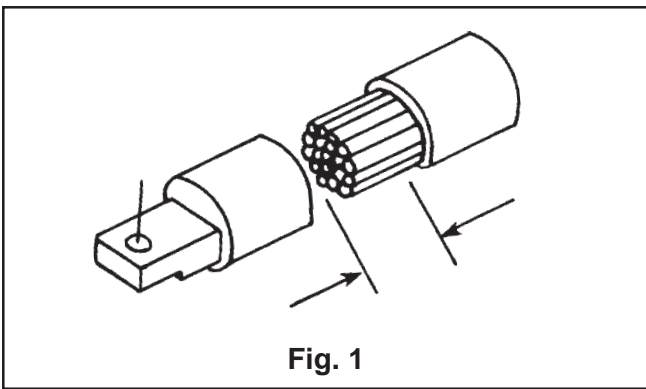
NOTE: This instruction sheet outlines the recommended installation procedure. Use of these lugs may result in reduced wire bending space. The installer should verify that adequate wire bending space is still provided for the installation, in accordance with applicable codes.

The terminals have been tested per UL-486 B with standard stranded cable.

1. Turn power off supplying device before installing compression lugs.
2. Remove any existing wire connectors from circuit breaker.
3. Install circuit breaker.
4. Pre-form cables to final configuration and strip insulation 1-1/8" on each conductor. Use of an appropriate insulation stripping tool is recommended to avoid damaging the conductor.

5. Clean aluminum conductor surfaces thoroughly using a wire brush or other suitable means, to remove oxides and other contaminants from the conductor.
NOTE: Copper wires and the compression connector should **NOT** be abrasively cleaned.

6. Remove cap from compression connector and insert cable fully into barrel of connector immediately after cleaning conductors.
7. Insure that connector tang(s) are in their proper orientation prior to crimping to avoid twisting of cables during installation.
8. Select an appropriate tool and die combination from Table 1 and make the required number of crimps within the boundaries stamped on the connector barrel. Refer to Figure 2 for sequence of multiple crimps.



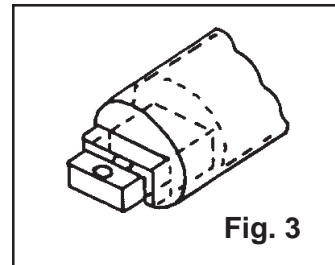


Installation Instructions

9. Remove any inhibitor compound expelled during the crimping operation from the connector body and the cable insulation.

WARNING: Short spacings do result if step #10 is not followed.

10. Slip insulating cover over connector tang and then over connector barrel such that only the connector tang is exposed.



11. Position connector tang against the circuit breaker terminal and secure with 3/8-16 X 1-1/2" socket head cap screw and conical spring washer. Conical spring washer is to be installed with convex side of washer toward underside of screw head (Fig. 4). Torque screw to 228 inch-pounds.

NOTE: If only using one lug for proper ampacity, insert spacer supplied with kit between spring washer and compression lug (Figure 4a).

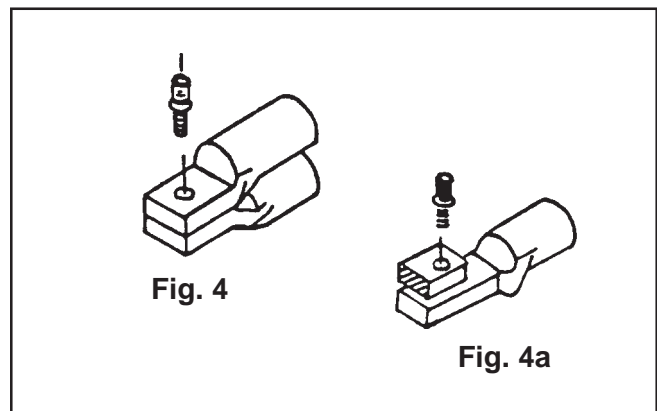


TABLE 1

COMPRESSION TOOL AND DIE CHART FOR COPPER AND ALUMINUM CONDUCTORS				
<u>Wire Size</u>	<u>Tool Mfr.</u>	<u>Tool No.</u>	<u>Die No.</u>	<u>No. of Crimps</u>
500 kcmil.	Homac	UT-15	94, 96	2
500 kcmil.	Burndy	Y-35	655, 321	3
			316	3
500 kcmil.	Kearny	WH-2	1-1/8-2	2
			1-1/2-1	2
1/0-500 kcmil.	Square D	VC-6	---	2