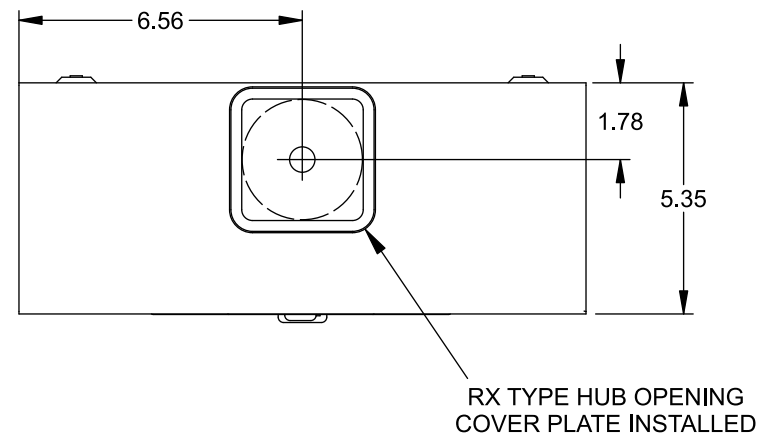


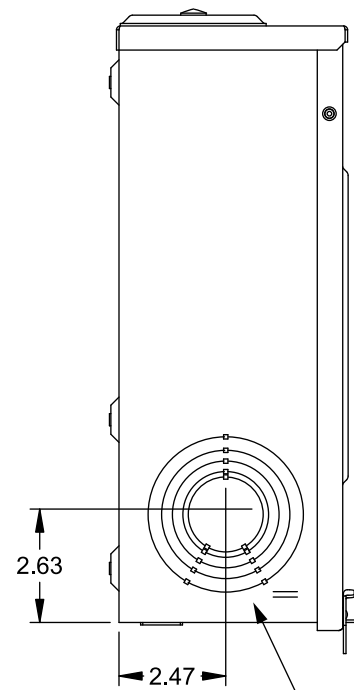
# Catalog Number: UAT817-XGSE

## Features and Ratings

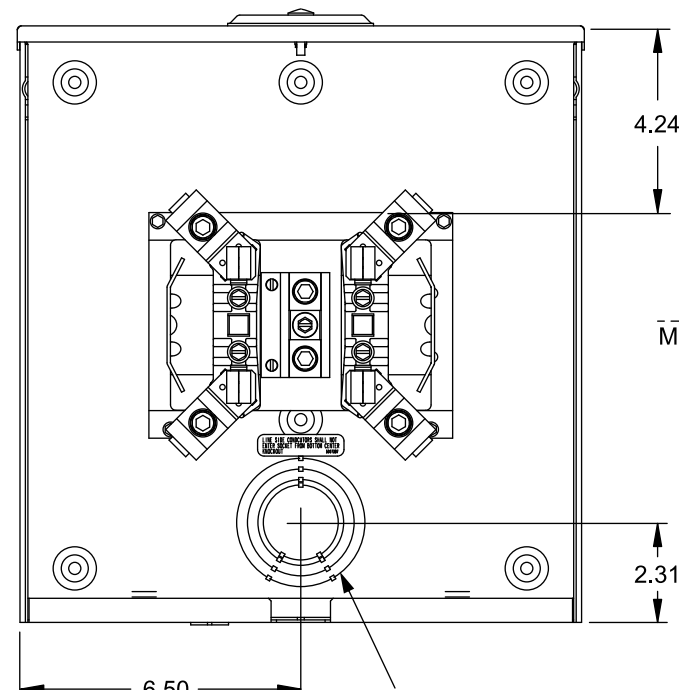
- Ringless Type Meter Socket
- 200A Continuous, 250A Max., 600V AC
- Outdoor Enclosure (NEMA Type 3R)
- Painted G90 Steel Enclosure
- 1 Phase, 3 Wire
- 4 Jaw Meter Socket
- Meter Socket Type UAT8
- For Overhead & Underground Service
- RX Type Hub Opening, Cover Plate Installed



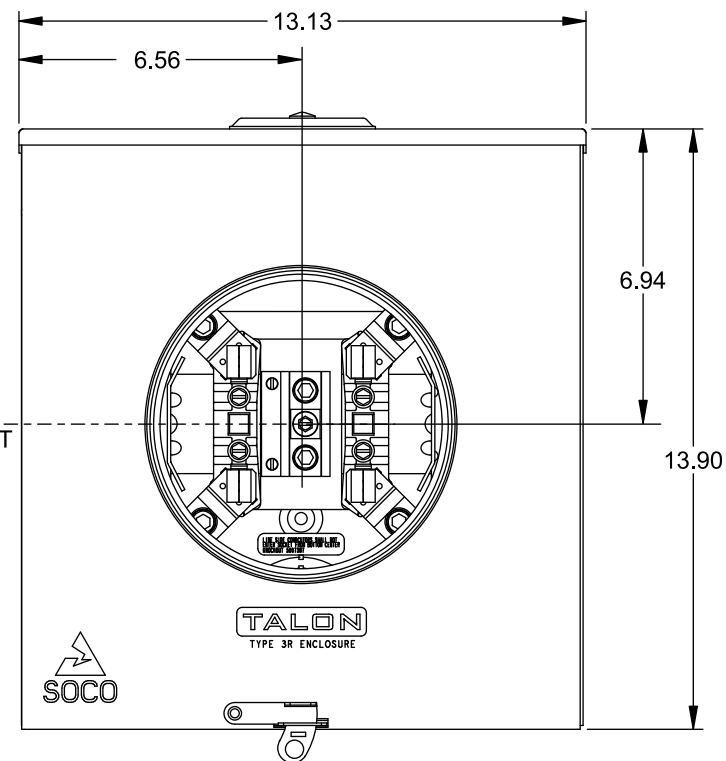
VIEW SHOWN WITH COVER REMOVED



1-1/4", 1-1/2", 2", 2-1/2",  
3" KO (BOTH SIDES)

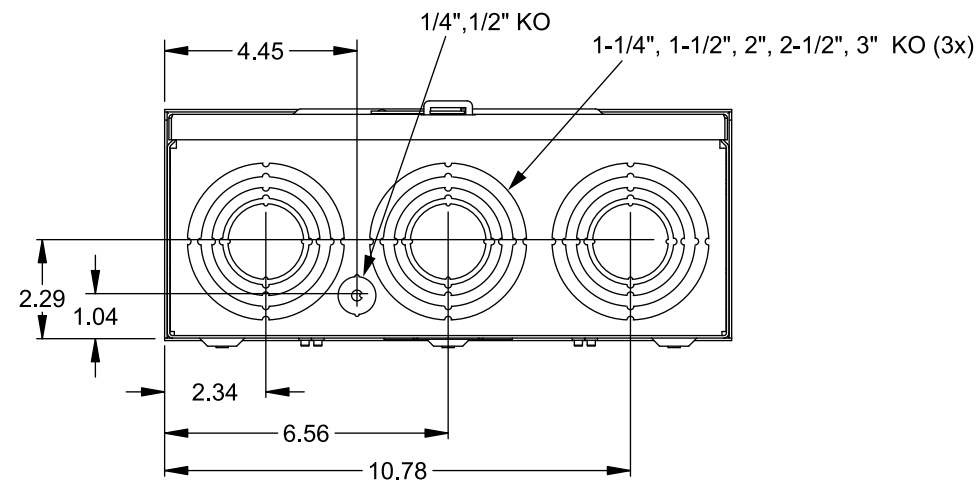


1-1/4", 1-1/2", 2", 2-1/2" KO



C OF  
METER SOCKET

SOCO  
TALON  
TYPE 3R ENCLOSURE



## Connectors, Wire Sizes and Torques

| CONNECTOR            | WIRE SIZE    | TORQUE       |
|----------------------|--------------|--------------|
| LINE, LOAD, NEUTRAL* | #6 - 350 MCM | 250 IN.-LBS. |
| GROUND               | #2 - 14 AWG  | 50 IN.-LBS.  |

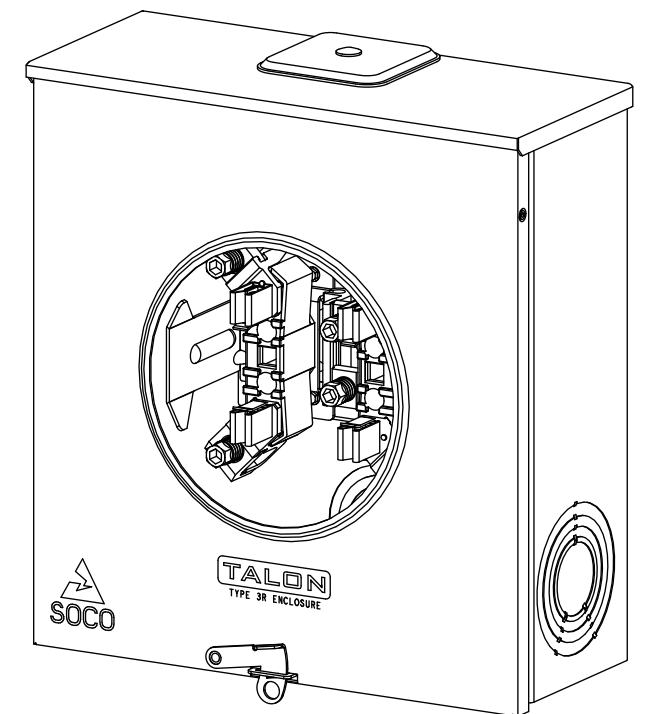
- \* External Hex Drive 1/2"
- \* Internal Hex Drive 5/16"

## Accessories

| CONDUIT HUBS (RX Type) |                     |
|------------------------|---------------------|
| TRADE SIZE             | CATALOG No.         |
| 1-1/4 INCH             | EC38597 or H38597-2 |
| 1-1/2 INCH             | EC38598 or H38598-2 |
| 2 INCH                 | EC38599 or H38599-2 |
| 2-1/2 INCH             | EC38600 or H38600-2 |
| Hub Cover Plate        | EC38595 or H38595-1 |

Meter Opening Cvr Plate  
Cat No: H659-0162

5th Jaw Kit  
Cat. No: EC659-0121



© 2018 Copyright Siemens Industry, Inc.

**TALON**

**Meter Socket**

Description: **200A Cont, 4 Jaw, UAT8,  
600V AC, Painted Steel Enclosure**

KAM 7/9/18 | DO NOT SCALE DRAWING | Dwg No: **UAT817-XGSE**