

General & Heavy Duty Double Throw Safety Switch

Type VBII, 100 Amp, Type 3R (Outdoor) Enclosure

Standards and Ratings

- UL Listed under file #E4776
- Meets UL98 for switches and UL50 for enclosures
- Suitable for use as Transfer Equipment on optional standby systems as defined by Article 702 of the NEC
- Meets NEMA Standard KS-1 for enclosed switches (Type HD)
- Meets NEC wire bending space requirements
- Suitable for use as Service Equipment
- AIC Ratings
General Duty
 10,000 AIC when protected by Class H or 100,000 AIC when protected by Class R, J or T fuses (fuse ampere rating must not exceed switch ampere rating)

Heavy Duty

10,000 AIC with Class H or 200,000 AIC when used with or protected by Class R, J or T fuses (fuse ampere rating must not exceed switch ampere rating)

Features

- Quick-make and break switching action
- Visible blade, double break construction
- Highly visible ON/OFF indication
- Modular design allows quick and easy replacement of parts
- Front removable lugs which can easily be converted to copper body or compression type lugs
- Defeatable dual cover interlock
- All copper current carrying parts¹
- Tangential knockouts
- Handle is padlockable in OFF position

General Information

Catalog Number	Max AC Volts	Description	Shipping Weight (lbs.)
General Duty			
DTGNF223R	240	Non-fusible, 2 Pole, 2 Wire	37
DTGNF223NR	240	Non-fusible, 2 Pole, 3 Wire	38
DTGNF323R	240	Non-fusible, 3 Pole, 4 Wire	38
DTGNF323NR	240	Non-fusible, 3 Pole, 4 Wire	39
Heavy Duty			
DTF323R 2	240	Fusible, 3 Pole, 3 Wire	46
DTF363R 2	600	Fusible, 3 Pole, 3 Wire	46
DTNF323R	240	Non-fusible, 3 Pole, 3 Wire	38
DTNF363R	600	Non-fusible, 3 Pole, 3 Wire	38

Horsepower Ratings³

Catalog Number	240V 1Ø		240V 3Ø		480V 3Ø		600V 3Ø		250V DC	
	Std	Max	Std	Max	Std	Max	Std	Max	Std	Max
General Duty										
DTGNF223R	—	15	—	40	—	—	—	—	—	20
DTGNF223NR	—	15	—	40	—	—	—	—	—	20
DTGNF323R	—	15	—	40	—	—	—	—	—	20
DTGNF323NR	—	15	—	40	—	—	—	—	—	20
Heavy Duty										
DTF323R	7½	15	15	30	—	—	—	—	20	—
DTF363R	7½	15	15	30	25	60	30	75	20	—
DTNF323R	—	15	—	40	—	—	—	—	—	20
DTNF363R	—	15	—	40	—	75	—	100	—	20

¹ Lugs are aluminum alloy as standard. Optional copper body lugs are available.

² Fusible switches accept: Class H fuses as standard or Class R or T fuses with kit, Class J fuses (move load base).

³ Dual horse ratings: Std - applies when non-time delay fuses are installed. Max - applies when time-delay fuses are installed.

Product Specification Sheet HD100.10

Answers for industry.

SIEMENS

Product Specification Sheet #HD100.10 (page 2 of 3)

Accessories

Catalog Number	Description
General & Heavy Duty Double Throw Switches	
HG61234	Equipment Ground Lug Kit
HN263	Neutral Kit
HG261234	Isolated Equipment Ground Kit
HS125	1.25" Type "HS" Outdoor Hub
HS150	1.50" Type "HS" Outdoor Hub
Heavy Duty Double Throw Switches Only	
HA161234	Auxiliary Switch (1-NO & 1 NC) ¹
HA261234	Auxiliary Switch (2-NO & 2 NC) ¹
HA361234	Low Voltage Auxiliary Switch ¹
HR63	Class R Fuse Clip Kit (3 fuse clips per kit, (2) kits required per switch)
HLC63	Copper Lug Kit (9 lugs per kit) ¹
HCL63	Compression Lug Neutral Barrier Kit
HP63	Fuse Puller Kit (2) kits required per switch
HT23	240V Class T Fuse Clip Kit (2) required per switch
HT63	600V Class T Fuse Clip Kit (2) required per switch

Compression Lugs (UL listed for field installation) ³

Wire Size	Burndy		Thomas-Betts		Ilsco	
	CU ONLY	CU/AL	CU ONLY	CU/AL	CU ONLY	CU/AL
#6	YA6C-L Box	YA6CA1	54105	61107	CRB-6	ACL-6
	YA6C		54905BE	60107	CRB-6L	
#4	YA4C-L BOX	YA4CA1	54106	61112	CRB-4	ACL-4
	YA4C		54906BE	60112	CRB-4L	
#2	YA2C-L2 BOX	YA2CA5	54107	61116	CRB-2	ACL-2
	YA2C				CRB-2L	
#1	YA1C-L2		54108	61122	CRB-1-14	
	YA1C		54947BE		CRA-1L	
1/0				61130		

¹ (2) required per switch (one for each of the two line bases).

² Place "Door" at the end of the switch catalog number.

³ If compression lugs are used for the neutral, order compression lug neutral barrier kit HCL63.

Replacement Parts

Catalog Number	Description
HBB63	Fusible Load Side Replacement Base (2) kits required per switch
HFB63	Fusible Line Side Replacement Base (2) kits required per switch
HNB623	Non-fusible Replacement Line Base (2) kits required per switch
HH61234	Replacement Handle/Handle Guard
HL63	Replacement Lugs (3 lugs per kit)
HM6123	Replacement Mechanism (2) kits required per switch
2	Replacement Door

Mechanical Lug Wire Ranges (60/75°C, Cu/Al)

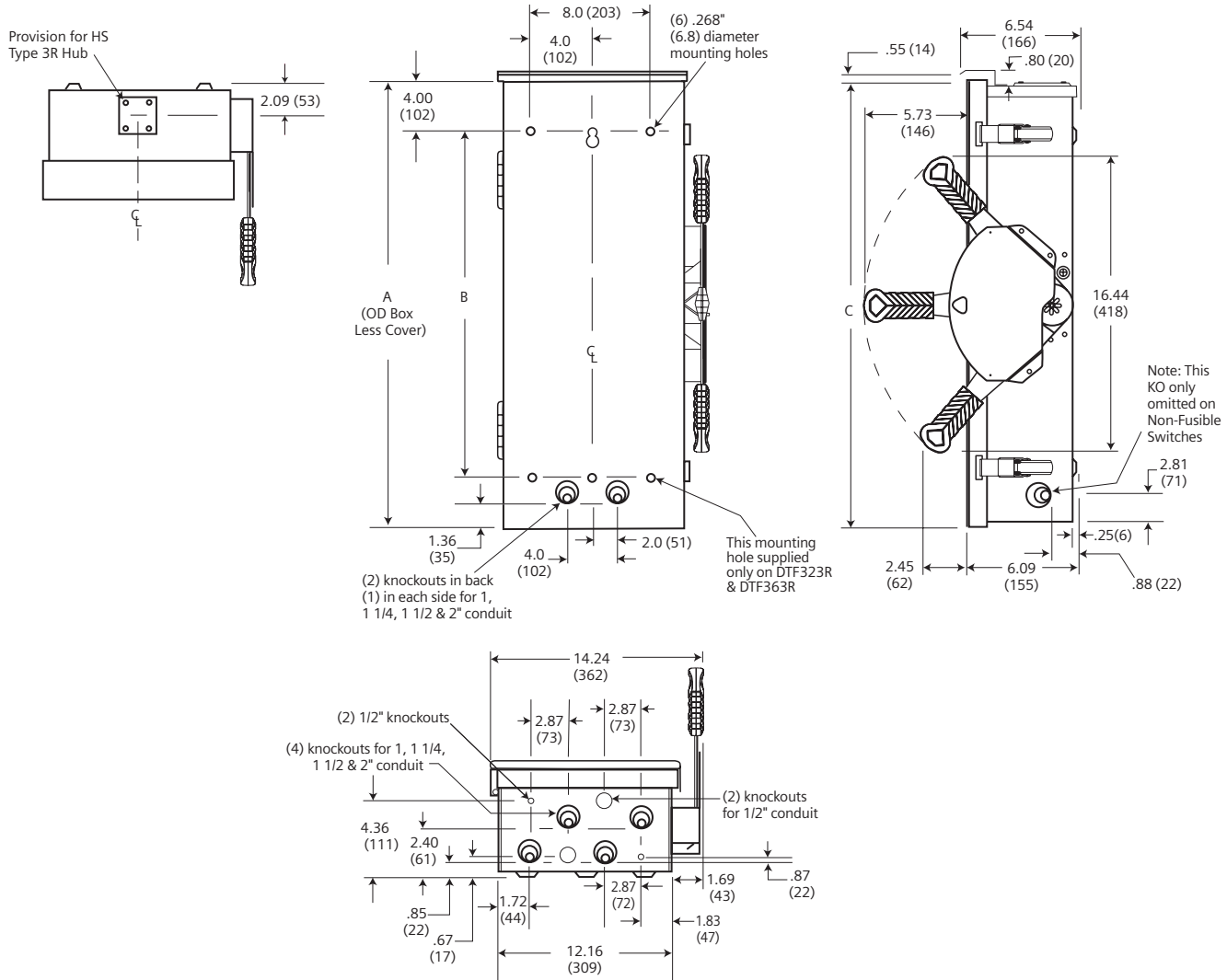
Description	Wire Range
Line, Load, Neutral	#14-1/0 AWG
Ground	#14-4 AWG

Product Specification Sheet #HD100.10 (page 3 of 3)

Dimensions and Wire Bending Space

Catalog Number	Dimensions		
	A	B	C
DTGNF223R			
DTGNF223NR			
DTGNF323R	27.60	19.36	28.09
DTGNF323NR	(701)	(492)	(713)
DTNF323R			
DTNF323R			
DTNF363R			
DTF323R	36.41	28.11	36.96
DTF363R	(724)	(714)	(939)

Dimension Drawing



Dimensions shown in inches and millimeters ().
Dimension shown accurate to $\pm \frac{1}{8}$ inch.

Enclosure: Galvanized Steel .053 (16 Gauge)
Finish – ANSI Grey #61 Paint

NOTE: Top and bottom wire bending space is 6.12 inches for all catalog numbers except that DTF323R has 8.12 inches of bottom wire bending space.