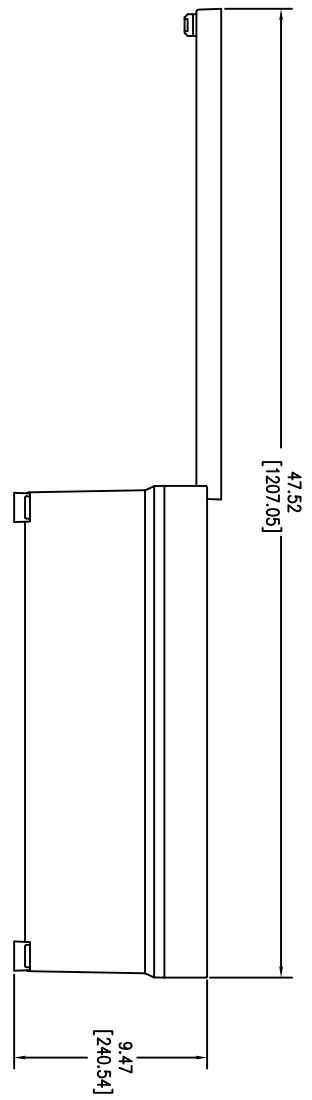
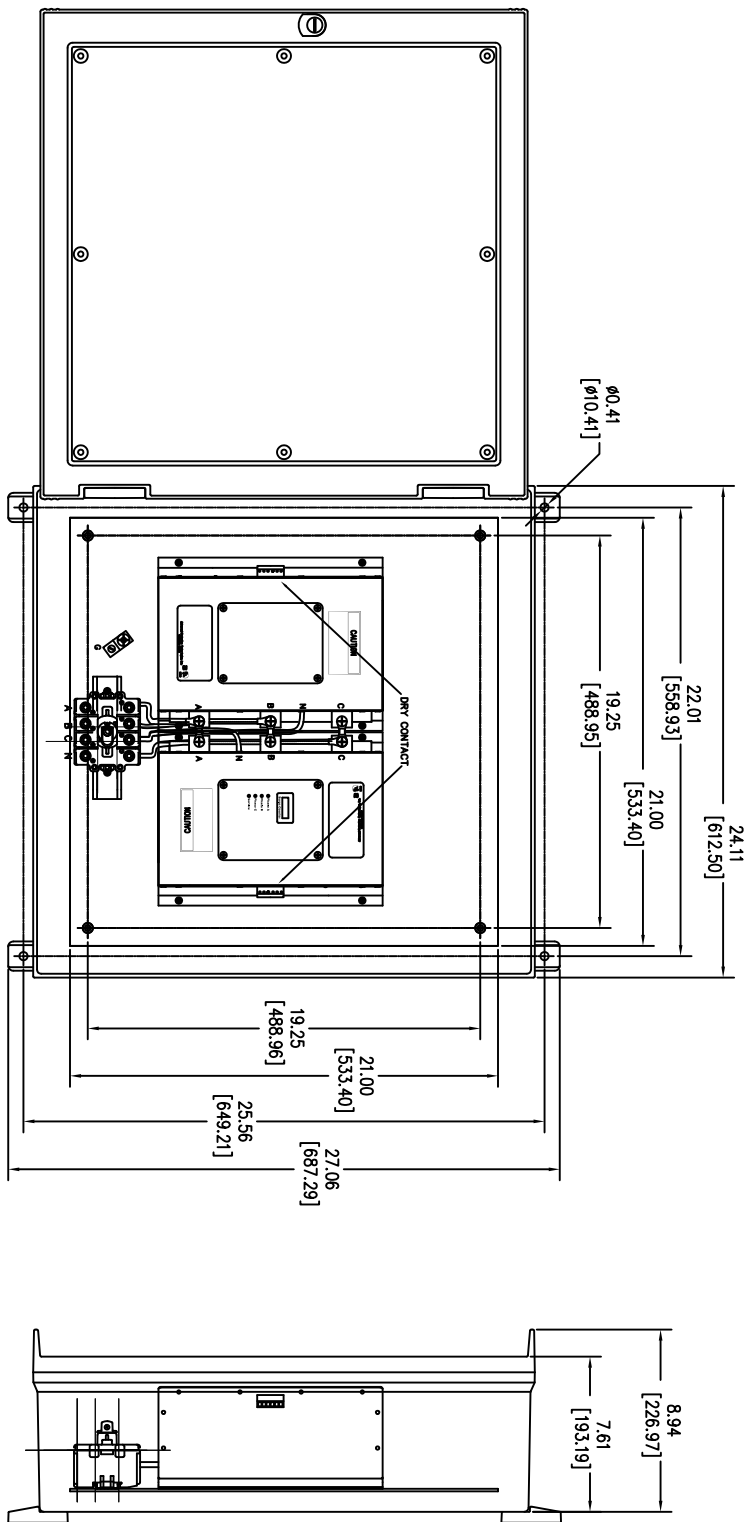


SURGE PROTECTIVE DEVICE (SPD)
WEIGHTS & DIMENSIONS NEMA
RATING: 4X NON METALLIC



ENCLOSURE SPECS.
DESC: NON-METALLIC ENCLOSURE, HINGED
DIM: 24"H x 24"W x 9.5"D
MAT: POLYCARBONATE
FINISH: GRAY
NEMA RATING: 4X
DEVICE WEIGHT: 51.80LBS. (23.49KG.)

Rev	C.N.	Date
△	-	Denotes latest changes.
□	-	Critical dimension.

DESIGNED BY: H. DRIGGERS	DATE: 6/17/26	Confidential - Property of Siemens Industry, Inc. Building Technologies Division
DRAWN BY: M.A.D.	DATE: 6/17/26	
CHECKED BY:	DATE:	
PROJECT:	TPS3-15 SERIES	400K-1000K w/ DS NEMA RATING: 4X
DWG. NO.:	43D-TPS3-15DS-4XPM	
SCALE:	NONE	SHEET 1 OF 1