

Installation Instructions

	⚠ DANGER	⚠ PELIGRO	⚠ DANGER
	<p>Hazardous Voltage. Will cause death or serious injury.</p> <p>Turn off and lock out all power supplying this device before working on this device. Replace all covers before power supplying this device is turned on.</p>	<p>Tensión Peligrosa. Puede causar la muerte o lesiones graves.</p> <p>Desenergice totalmente antes de instalar o darle servicio. Reemplace todas las barreras y cubiertas antes de energizar el interruptor.</p>	<p>Tension Dangereuse. Danger de mortu risque de blessures graves.</p> <p>Couper l'alimentation de l'appareil erer avant de travailler. Remplacez toutes les couvertures avant que l'approvisionnement de pouvoir soit alimenté.</p>

These instructions outline the recommended installation procedure

1. Circuit Breaker Preparation

Turn off and lock out all power supplying this device before installing the accessory. Verify that no voltage is present before proceeding with task. The circuit breaker should be in the OFF position before installing the rotary handle operator.

2. Accessory Mounting Instructions

Slide the clips into the slots on the circuit breaker. Position the rotary handle operator in the OFF position by turning the mechanism counterclockwise until the rotary handle indicates the OFF position. Position the accessory on the circuit breaker by sliding the rotary handle operator over the lower clip and then rotating it into position over the upper clip.

NOTE

Correctly mount the accessory so that the handle interface pocket on the rotary handle correctly mates with the circuit breaker handle. Failure to do this will cause improper operation and part breakage.

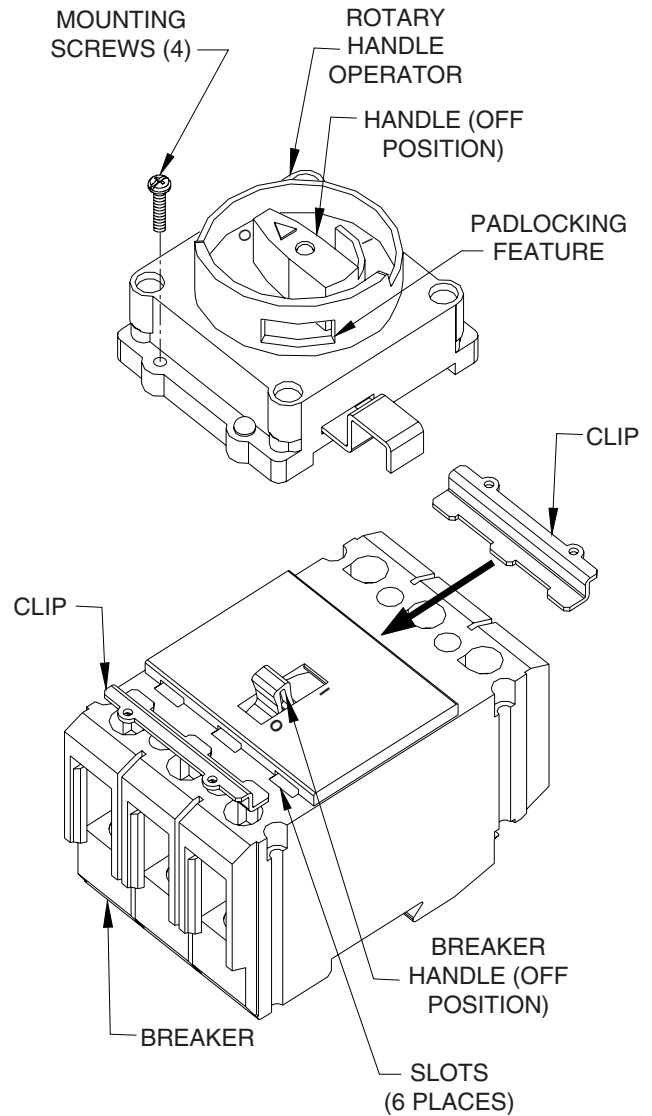



Figure 1. Rotary Handle Operator Mounting

	⚠ DANGER Hazardous Voltage. Will cause death or serious injury.	⚠ PELIGRO Tensión Peligrosa. Puede causar la muerte o lesiones graves.	⚠ DANGER Tension Dangereuse. Danger de mort ou de blessures graves.
	Turn off and lock out all power supplying this device before working on this device. Replace all covers before power supplying this device is turned on.	Desenergice totalmente antes de instalar o darle servicio. Reemplace todas las barreras y cubiertas antes de energizar el interruptor.	Couper l'alimentation de l'appareil erer avant de travailler. Remplacez toutes les couvertures avant que l'approvisionnement de pouvoir soit alimenté.

Installation Instructions

Secure the rotary handle operator by fastening the four mounting screws. Do not exceed a torque of 17 lb.-in. (1.9 N-m).

NOTE

Do not exceed torque limits on screws. Higher torques could damage the rotary handle operator.

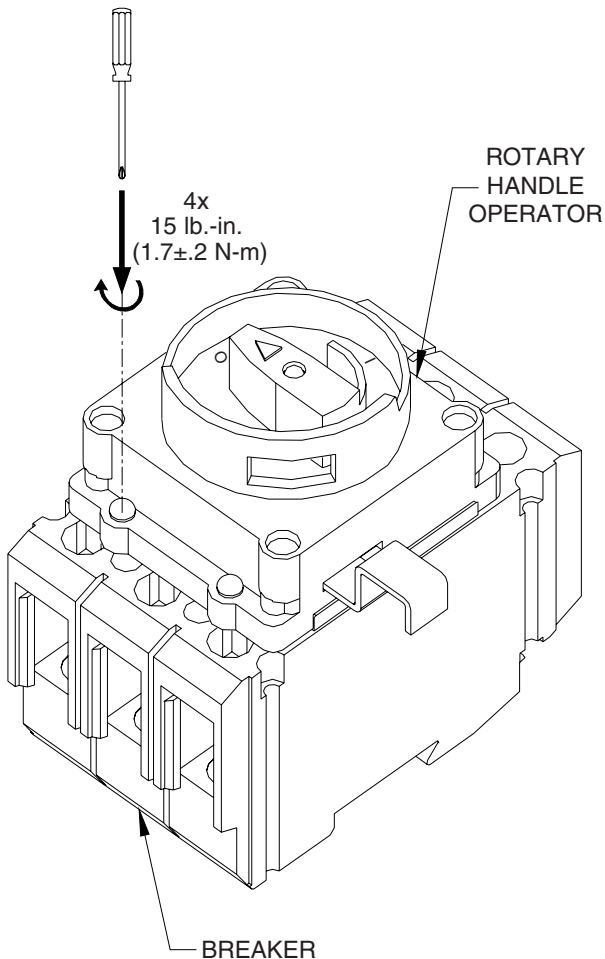


Figure 2: Rotary Handle Operator Installed

3. Mechanical Testing

With main power off, check the rotary handle operator in the ON, OFF and RESET positions.

4. Installation Dimensions

Locate the center of the handle rotation in relation to the enclosure door edge. Locate the shroud clearance hole from the center of the handle rotation per Figure 3. Drill a .25 in. (6.35 mm) diameter pilot hole at this location. Check accuracy of hole location. Locate the 2.56 in. (65.1 mm) diameter shroud clearance hole using this hole as a guide. Locate the door catch from the center of handle rotation per Figure 3. Drill 4 .129 in. (3.28 mm) diameter (#30 drill) holes. Install rivets with formed head on outside of enclosure door per Figure 4.

⚠ DANGER	⚠ PELIGRO	⚠ DANGER
 Hazardous Voltage. Will cause death or serious injury.	Tensión Peligrosa. Puede causar la muerte o lesiones graves.	Tension Dangereuse. Danger de mort ou de blessures graves.
 Turn off and lock out all power supplying this device before working on this device. Replace all covers before power supplying this device is turned on.	Desenergice totalmente antes de instalar o darle servicio. Reemplace todas las barreras y cubiertas antes de energizar el interruptor.	Couper l'alimentation de l'appareil erer avant de travailler. Remplacez toutes les couvertures avant que l'alprovisionnement de pouvoir soit alimenté.

Installation Instructions

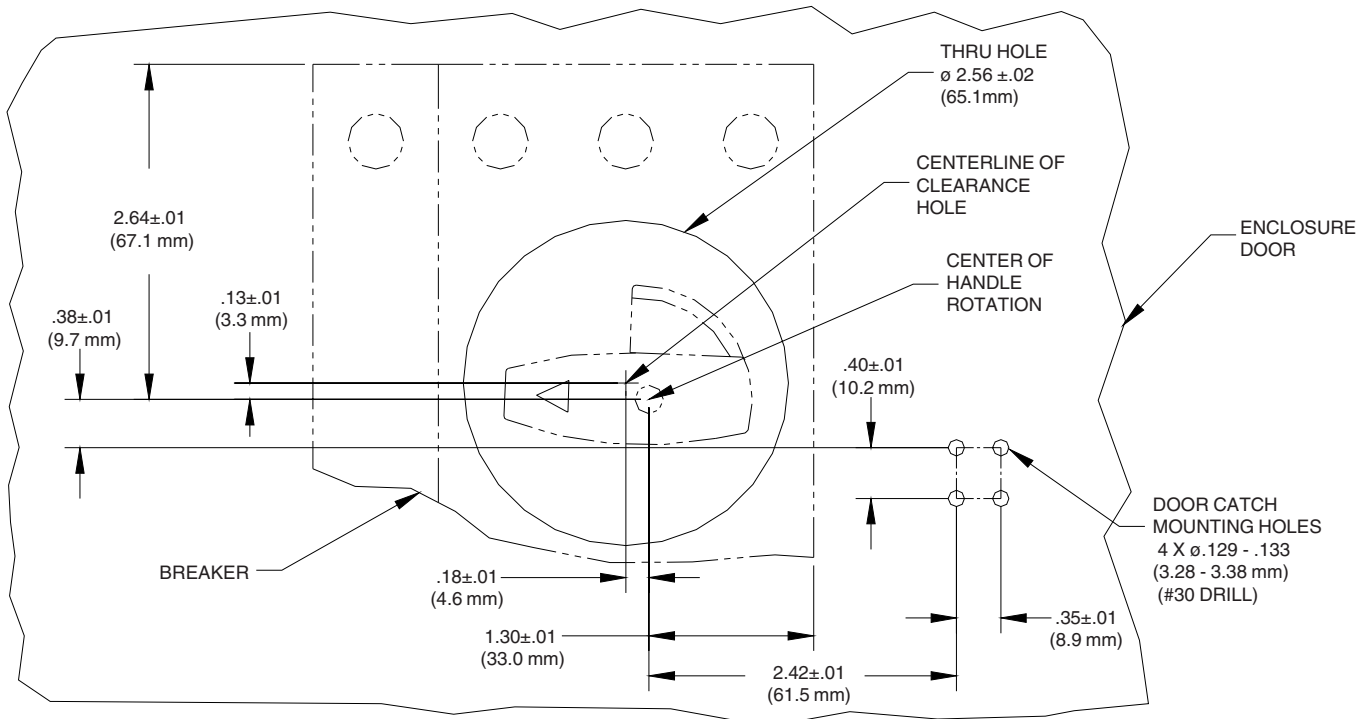


Figure 3: Clearance hole in enclosure door and door catch mounting location

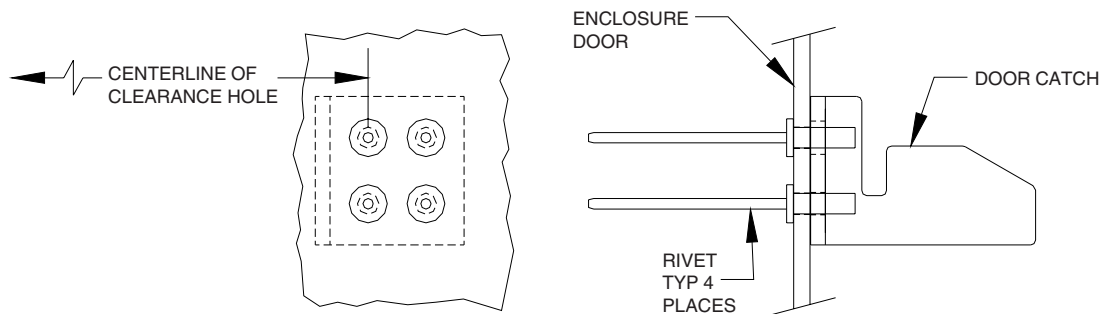


Figure 4: Door Catch Installation