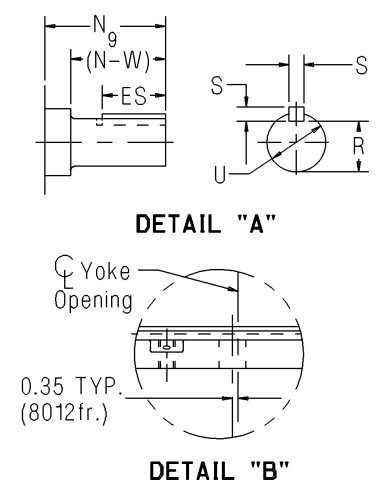
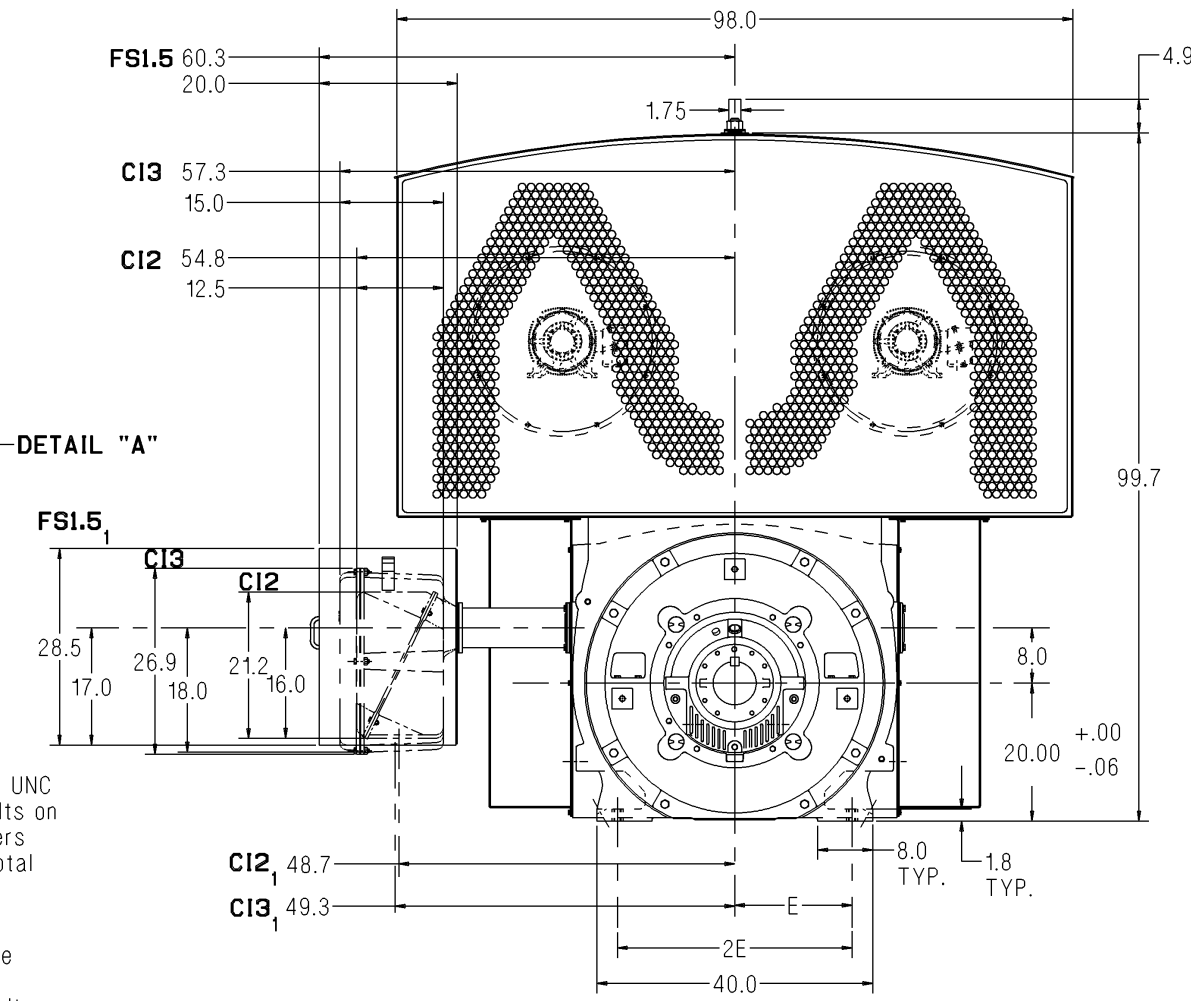
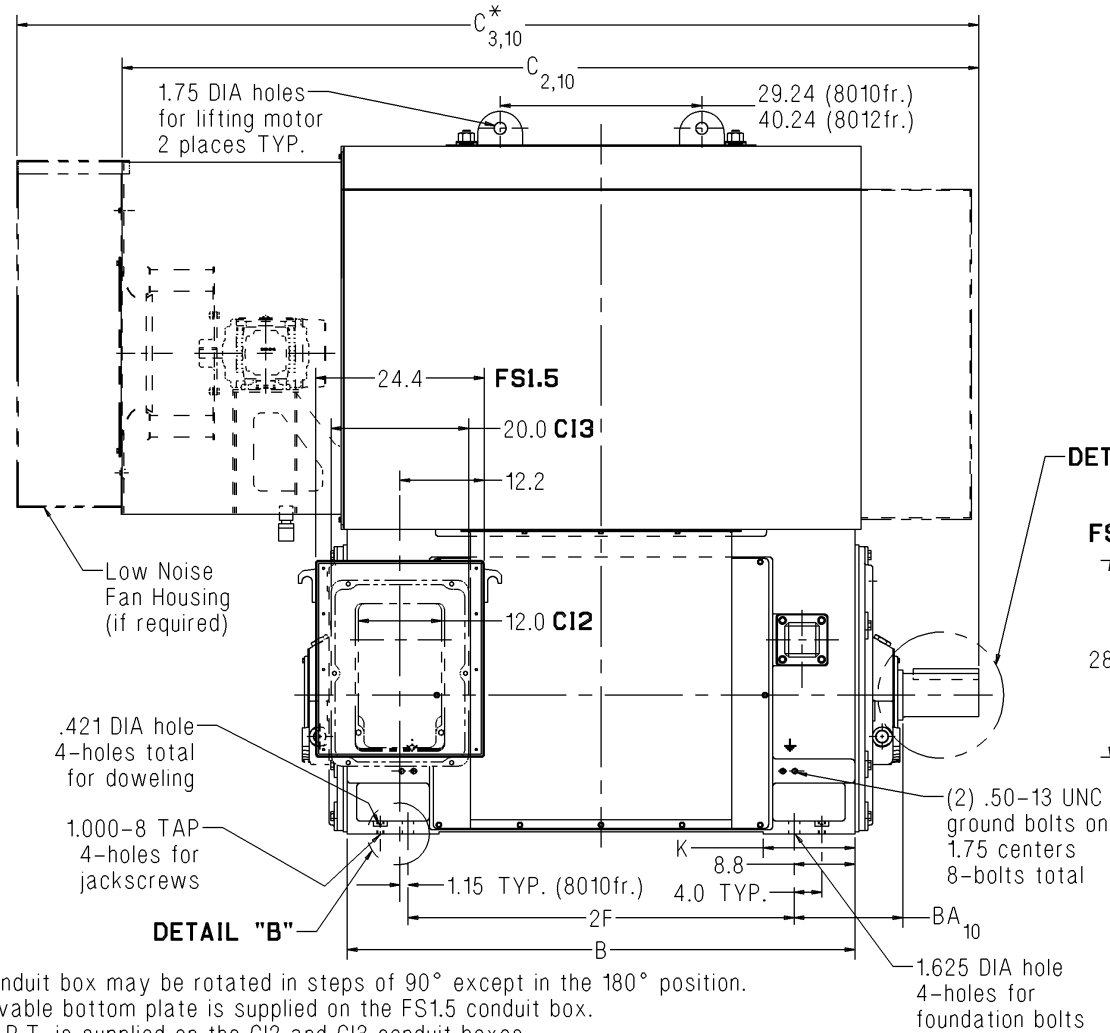


SIEMENS

Dimension Prints for Above NEMA Motors

Type CAZB – Horizontal – TEAAC with Auxiliary Blower(s)¹²
Sleeve Bearing – Direct Connected
Frames 8010 / 8012 – Rotatable Main Conduit Box



- Notes:**
- Main conduit box may be rotated in steps of 90° except in the 180° position. A removable bottom plate is supplied on the FS1.5 conduit box. A 5.0 N.P.T. is supplied on the CI2 and CI3 conduit boxes. A 16.0" spacer is supplied on both frames for all rotatable conduit boxes.
 - C = Length of motor from drive end of shaft to end of auxiliary blower.
 - C* = Length of motor from drive end of shaft to end of low noise fan housing.
 - V = (N-W) - 0.25" = length of shaft available for coupling.
 - 2 Pole machines rotate in one direction only.
 - Shims may be necessary under motor feet for direct connection.
 - Rotor end float = 0.5"
 - End float of LEF coupling = 0.19"
 - Adding a rotating labyrinth seal to the drive end decreases N by:
2 Pole: 0.55" 4 Pole & Slower: 0.55"
 - When adding a ground brush, consult the factory. (BA, C, and C* will increase.)
 - For motors equipped with proximity probes use print CAZB_800_2plusPL_SLVPRB_ROT.
 - Typically motor is supplied with two auxiliary blowers. Depending upon individual motor design, only one auxiliary blower may be supplied.
 - Approximate Ship Weight is based on standard aluminum cooling tubes.

Lubrication Per Bearing	
2 Pole	4 Pole & Slower
140-160 SUS @ 100°F	290-350 SUS @ 100°F
6.0 qt. capacity	6.0 qt. capacity

Standard Dimensions in Inches

Shaft	Frame	Speed	B	BA ₁₀	C _{2,10}	C* _{3,10}	E	2F	K	N ₉	(N-W)	R	S	U	V ₄	ES	Approx. Ship Wt. (Lbs) ₁₃
Short	8010	2 Pole	73.6	15.75	122.4	137.6	17.0	56.0	13.3	9.50	8.75	4.296	1.25	5.000	8.50	7.0	22100
Short	8010	4 Pole & Slower	73.6	15.75	124.6	139.8	17.0	56.0	13.3	11.75	11.00	5.408	1.50	6.250	10.75	9.5	23000
Short	8012	2 Pole	88.6	15.75	137.4	152.6	17.0	71.0	14.8	9.50	8.75	4.296	1.25	5.000	8.50	7.0	26700
Short	8012	4 Pole & Slower	88.6	15.75	139.6	154.8	17.0	71.0	14.8	11.75	11.00	5.408	1.50	6.250	10.75	9.5	27700

Certification: Customer _____ P.O. _____ S.O. _____ Item _____
 HP _____ RPM _____ Frame _____ PH/HZ/Volts 3/_____/_____
 By _____ Date _____ Terminal Box Size CI2 CI3 FS1.5

Comments _____
 Not for construction, installation or application purposes unless certified.

CAZB_800_2plusPL_SLV_ROT
Revision 01
01/21/09