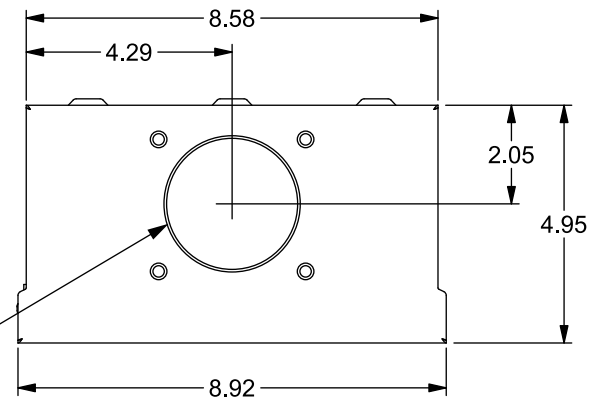


Catalog Number W0202MB1200CU

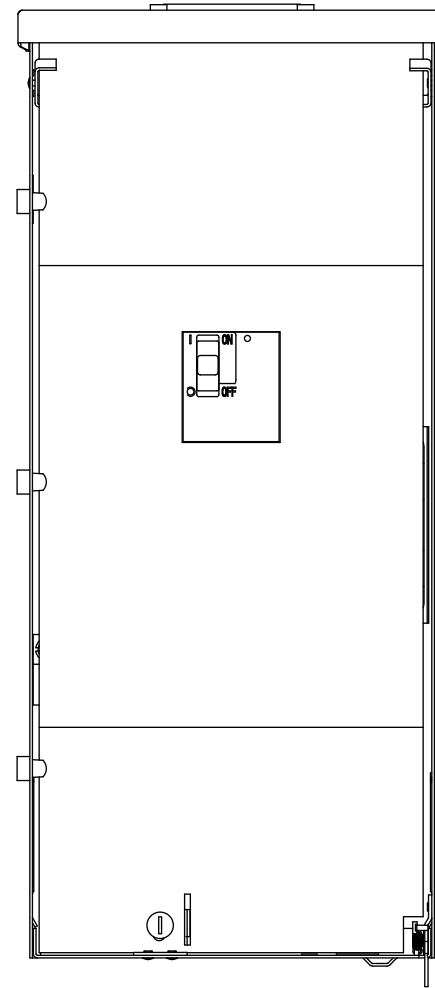
Features and Ratings

- 200A Max, 1 Phase, 3 Wire, 120/240V ~
- 2 Pole, 200A, 22kAIC Circuit Breaker Installed
- NEMA Type 3R Outdoor Enclosure
- Closure Plate Included

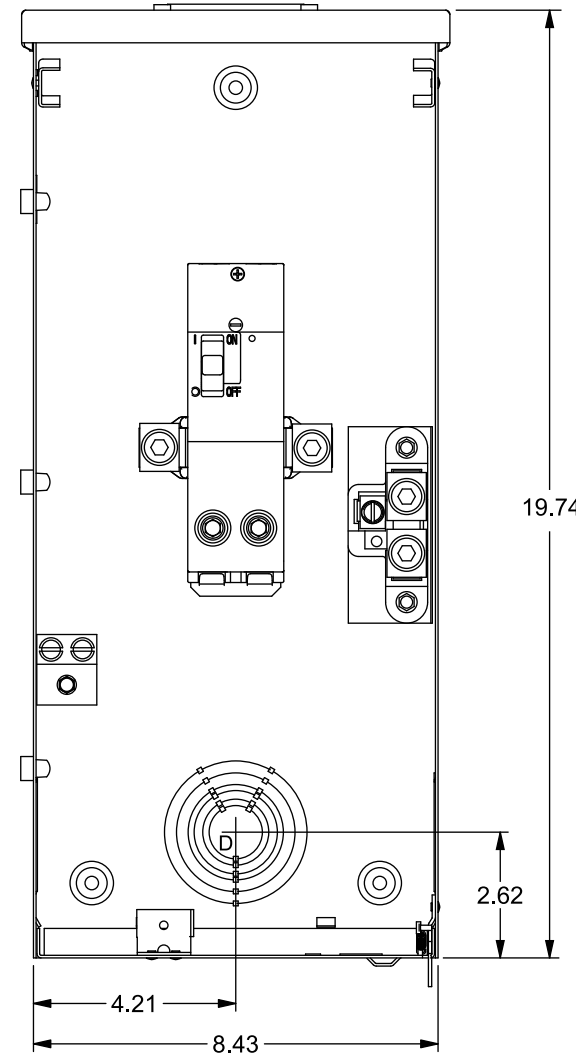


HS HUB PROVISION
(CLOSURE PLATE INCLUDED)

View Shown with Door Removed



View Shown with Door and Deadfront Removed



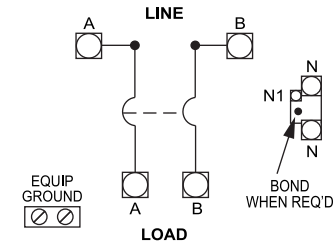
TERMINAL WIRE SIZES AND TORQUES

Line Terminals A and B
Suitable for 75° C Conductors.
Wire Size #4-250 kcmil CU/AL.
Torque terminals to 225 Lb-in.

Load Terminals A and B
See markings on breaker for torque requirements and conductor rating.

Line/Load Terminal N
Suitable for 75° C Conductors.
Wire Size #4-250 kcmil CU/AL.
Torque terminals to 225 Lb-in.

Terminal N1
Suitable for 60°/75° C Conductors.
Wire Size #4-1/0 AWG CU/AL.
Torque terminals to 45 Lb-in.

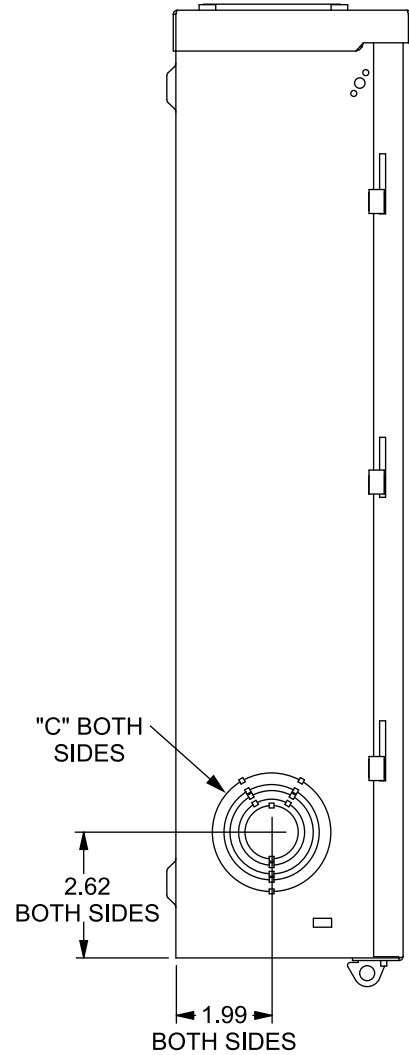


Equip. Ground (Factory Installed)

Wire Size	Tightening Torque
14-10 AWG CU/AL	35 Lb-in.
8 AWG CU/AL	40 Lb-in.
6-2/0 AWG CU/AL	45 Lb-in.

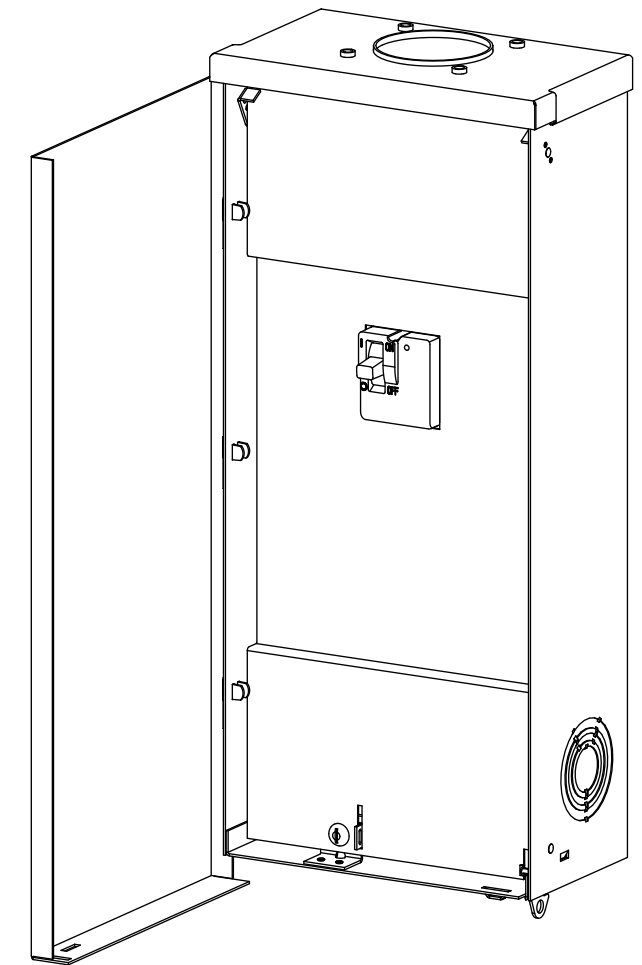
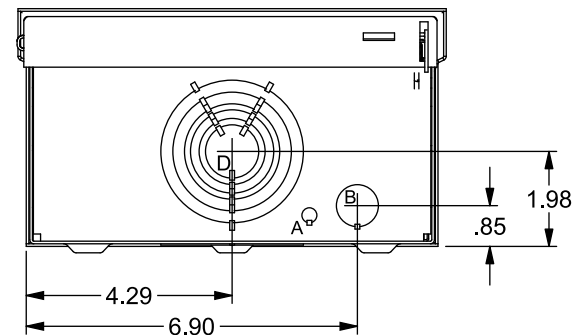
ACCESSORIES

CONDUIT HUBS	
TRADE SIZE	CAT. NO.
3/4 INCH	ECHS075
1 INCH	ECHS100
1-1/4 INCH	ECHS125
1-1/2 INCH	ECHS150
2 INCH	ECHS200
2-1/2 INCH	ECHS250



KNOCKOUT CHART

KO Designation	Qty	Conduit Size
A	1	KO Size = 5/16" DIA.
B	1	1/2"
C	2	3/4", 1", 1-1/4", 1-1/2", 2"
D	2	3/4", 1", 1-1/4", 1-1/2", 2", 2-1/2"



© 2018 Copyright Siemens Industry, Inc.

SIEMENS
Siemens Industry, Inc.

Outdoor Load Center

Description: **1 Ph, 200A, Main Breaker
Circuit Breaker Enclosure**

KAM 2/28/18 DO NOT SCALE DRAWING Dwg No: **W0202MB1200CU**