

# SIEMENS

## Indoor/Outdoor Modular Tap Box

Catalog Number  
**WTB31200CU-SPL**

Enclosure  
**Type 3R**

**Module Rating:** 1200 Amps, Max.  
208Y/120 Volts~, 3 Phase, 4 Wire  
240/120 Volts~, 3 Phase, 4 Wire, Delta (B Phase is High Leg)

For installation by Qualified Person in accordance with all local electrical codes and/or the National Electrical Code®.

**Suitable For Use As Service Equipment** when not more than six main disconnecting means are provided and bonding strap is installed.

Enclosure may be oriented for overhead or underground service.

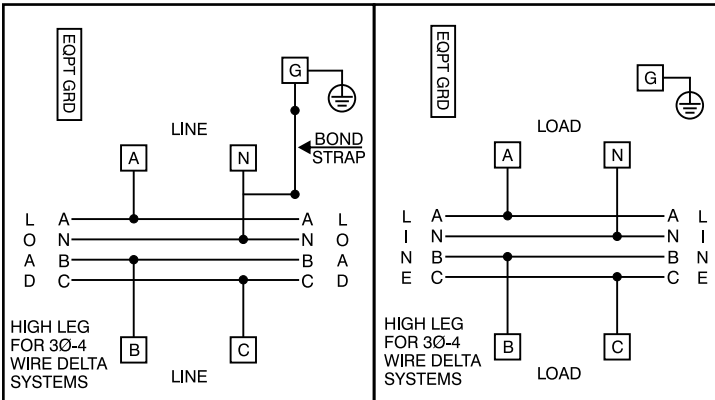
### Use 75°C Copper or Aluminum Conductors.

#### Short Circuit Current Rating

This device has a maximum short circuit current rating of 100,000 amps RMS symmetrical at 240 Volts ~ when used with modules listed below.

Terminals A, B, C and N: See Lug Chart on adjacent diagram for applicable lug kits, wire size and torque information.

Ground Terminal G: Wire size #4-300 kcmil, Torque terminal to 250 lb.-in.



See adjacent label for additional marking information.

Siemens Industry, Inc. Norcross, Georgia U.S.A. **DH1** 40900608 0101 Rev.00

© The National Electrical Code is a registered trademark of the National Fire Protection Association.  
© 2018 Copyright Siemens Industry, Inc.

# SIEMENS

## Lugs for Phase and Neutral Connections (not supplied)

Lug No. ①	MFG	Wire Range	Type	No. Wires per phase	Torque (lb.-in.) ②
LK33750N2	Siemens	300-750 kcmil	Mechanical	3	500 ②
LK34500N2	Siemens	1/0-500 kcmil	Mechanical	4	500
2ACL-500	ILSCO	500 kcmil	Compression	4	NA ③
2ACL-750	ILSCO	750 kcmil	Compression	3	NA ③

① Order one mechanical lug kit for mains and neutral. Contact lug manufacturer for compression lug quantities supplied for each kit.

② Kit contains more than one lug type.

③ See lug manufacturer's instruction sheet supplied with the connector for tool, die, and number of crimps.

### IMPORTANT - for use with:

Module Description	Siemens Series#
Main Breakers	WB(M), WEB(M), WXB, BFT
Switches	WMP, WS, WES, WXS
Tap/Terminal Boxes	WTB, WET, WT_PU, WTBN, WBT
Pull Boxes	WMMB
Meter Module	(W)MM, (W)MT, (W)ML, (W)MK, (W)MLZ(F), (W)MN
Meter Combinations	WC, WCL, WCT,
Extension Box	WSP, WSPD
Bussed Elbow	BE, WELB

**Connect Modules Using:** **Cat. No.** **Torque**  
Quick Connect QC4 400-440 lb-in (35-36 ft.-lb.)

Siemens Accessories	Catalog No.
RX Hub Cover Plate	EC38595
Type RX Hub 3/4"	EC38594
Type RX Hub 1"	EC38596
Type RX Hub 1-1/4"	EC38597
Type RX Hub 1-1/2"	EC38598

HD Hub Cover Plate	EC56933S
Type HD Hub 2"	EC56854
Type HD Hub 2-1/2"	EC56855
Type HD Hub 3"	EC56856
Type HD Hub 3-1/2"	EC56857
Type HD Hub 4"	EC56858

Equipment Ground Bars	
Small Terminals	Large Terminals
Wire Range / Torque	Wire Range / Torque
10-14 AWG . . . 20 lb-in	10-14 AWG . . . 35 lb-in
8 AWG . . . . . 25 lb-in	8 AWG . . . . . 40 lb-in
6 AWG . . . . . 35 lb-in	1/0-6 AWG . . . 45 lb-in

**Important:** Do not allow petroleum based (hydrocarbon) sprays, chemicals, solvents or any paint to contact interior components. Petroleum based chemicals can cause degradation of electrical insulating materials.

Siemens Industry, Inc. Norcross, Georgia U.S.A. **DH1** 40900608 0201 Rev.00

© 2018 Copyright Siemens Industry, Inc.