

FOR APPROVAL ONLY

- MADE IN USA

SIEMENS

CATALOG NO. 3F3Y045BSSN4XB
 SERIAL NO. SERIES H
 45 kVA 60 Hz 3 PHASE
 3.1 % IMP AT 100 °C

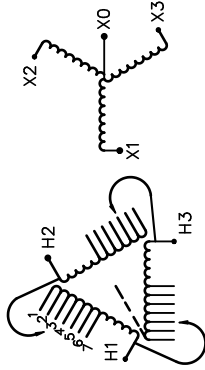
80 °C RISE 30 °C AVG. AMBIENT
 220 °C TEMP CLASS 40 °C MAX. AMBIENT
 PRIMARY (H1 H2 H3) 480 V
 SECONDARY(X0 X1 X2 X3) 208Y/120 V

WINDING MATERIAL AL
 ENCLOSURE TYPE 4X
 WEIGHT 620 LBS

SPACINGS BETWEEN ANY VENTILATED ENCLOSURE PANEL AND ANY ADJACENT WALL SHALL BE A MINIMUM OF 3 INCHES

SUITABLE FOR INDOOR OR OUTDOOR LOCATIONS BEFORE HANDLING, INSTALLING AND OPERATING, SEE INSTRUCTION MANUAL

NEMA Class ANC Dry Type Transformer Siemens Industry, Inc. Norcross, GA



VOLTS	CONNECT
504	1
492	2
480	3
468	4
456	5
444	6
432	7

TYPE KN



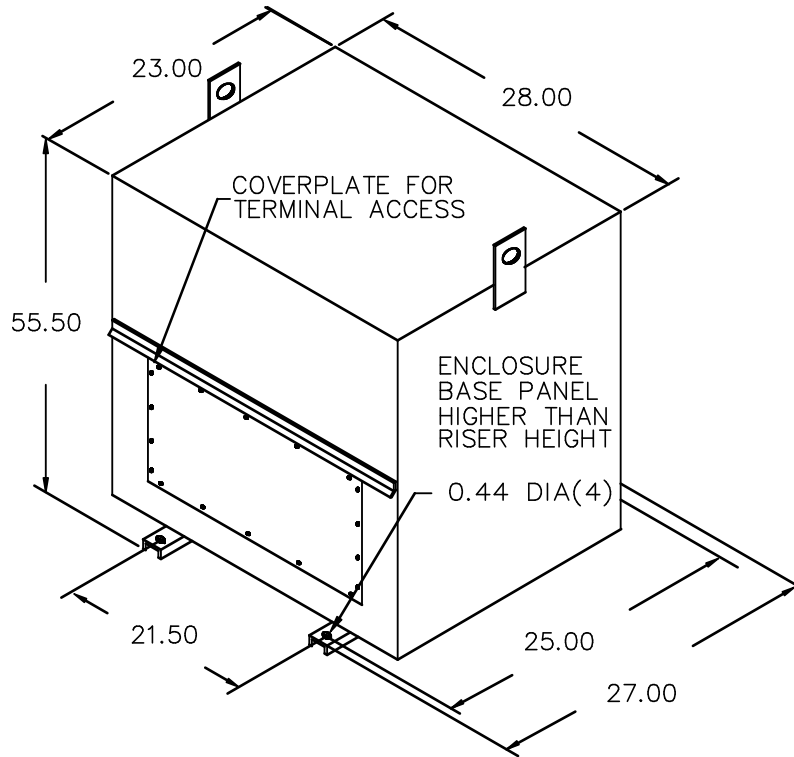
dsu0001e

Confidential - Property of Siemens Industry, Inc.

REVISION	DATE	BY	DATE	BY
			17/02/28	GP

CUSTOMER	
ORDER NO.	DWG. NO.
	3F3Y045BSSN4XB
	SH 1 OF 2

FOR APPROVAL ONLY



All Dimensions in inches

ENCLOSURE COLOR :304 STAINLESS STEEL #4 FINISH

HV TERMINAL DETAIL

LV TERMINAL DETAIL

MECHANICAL TYPE LUGS INCLUDED
SUITABLE FOR #14-2 CU/AL
CONDUCTORS
1 CONDUCTOR PER PHASE

MECHANICAL TYPE LUGS INCLUDED
SUITABLE FOR 250MCM-6 CU/AL
CONDUCTORS
1 CONDUCTOR PER PHASE

CUSTOMER NOTES:

- HV TERMINATED AT TOP FRONT
- LV TERMINATED AT BOTTOM FRONT

Confidential - Property of
Siemens Industry, Inc.

REVISION	DATE	BY	DATE	BY
			17/02/28	GP

CUSTOMER	
ORDER NO.	DWG. NO.
	3F3Y045BSSN4XBA SH 2 OF 2

0.0 gpatel 2017/02/28 17:55