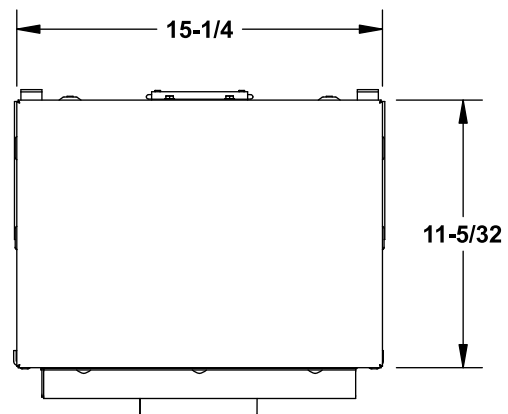


Features

- TYPE 3R OUTDOOR ENCLOSURE
- MAIN BUS RATING: 1200A MAX.
- 120/240 Volts~, 1 Phase, 3 Wire
208Y/120 Volts~, 1 Phase, 3 Wire
(from 3 Phase, 4 Wire network)

Catalog Numbers

Catalog No.	Phase	Amperage Rating, Max.	Maximum Interrupting Rating
WXB1450N	1	450	65,000
WXB1450NU	1	450	100,000
WXB1500N	1	500	65,000
WXB1500NU	1	500	100,000
WXB1600N	1	600	65,000
WXB1600NU	1	600	100,000



Accessories

Ground Bar Kit: Catalog No. ECGB10

Terminal	Wire Size	Torque
Equipment	#10 - #14 CU	20 lb-in
Ground Bar	#10 - #12 AL	20 lb-in
	#8 CU/AL	25 lb-in
	#6 - #4 CU/AL	35 lb-in

USE ONLY NON-INTERCHANGEABLE TRIP BREAKER TYPES

Breaker Type	Rating
LXD6-A	65k AIC
HLXD6-A	100k AIC

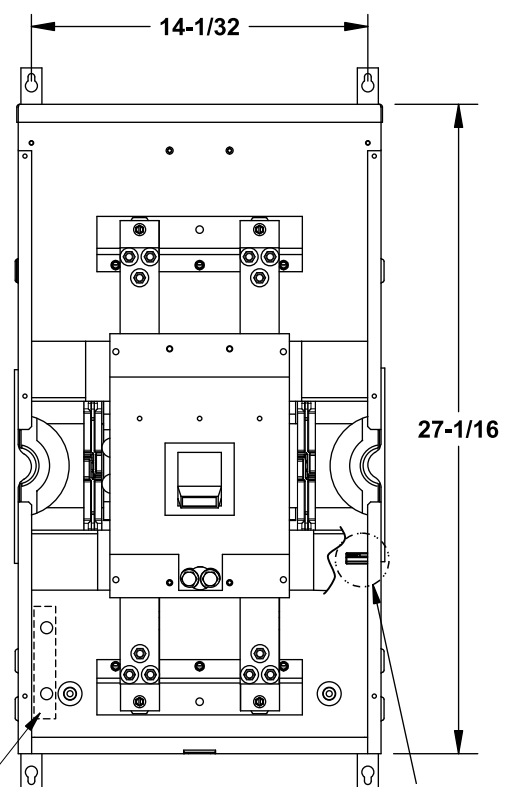
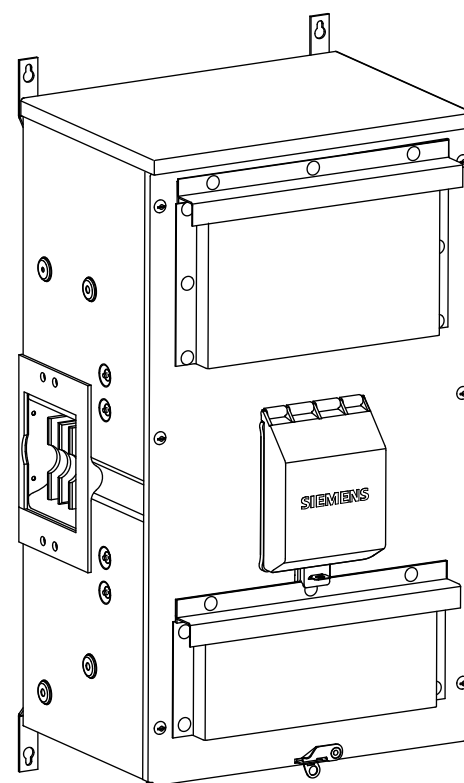
Accessory Description	Catalog No.
Breaker Cover Repl.	ECMMBCM
Cover Screws.	ECMFCS
Loose Parts Kit.	ECMFPK
Mounting Tabs (2)	ECMFTAB
QuickRoll Wheel Clip.	ECMFWLCLIP
End Closure Plate	WMEP
Mounting Clip.	MMCLIP
Wall Mounting Rail (60")	MMZR60
Mounting Rail.	MMRAIL

Additional Modules

FOR USE WITH:		
Module Description	Siemens Series#	Murray Series#
Main Breakers	(W)MC, WB, WEB	DB_W
Switches	WMP, WMS, WS, WES	DPT_W, DT_W
Tap/Terminal Boxes	WMTB, WTB, WET	DTB_W
Pull Boxes	WMMB, WT_PU	DPB_W
Meter Module	WMM, WxMM, WMT, WML, WMK	DG_W, DC_W, DL_W
Extension Box	WMEX, WSP	DS
Bussed Elbow	BE	DL

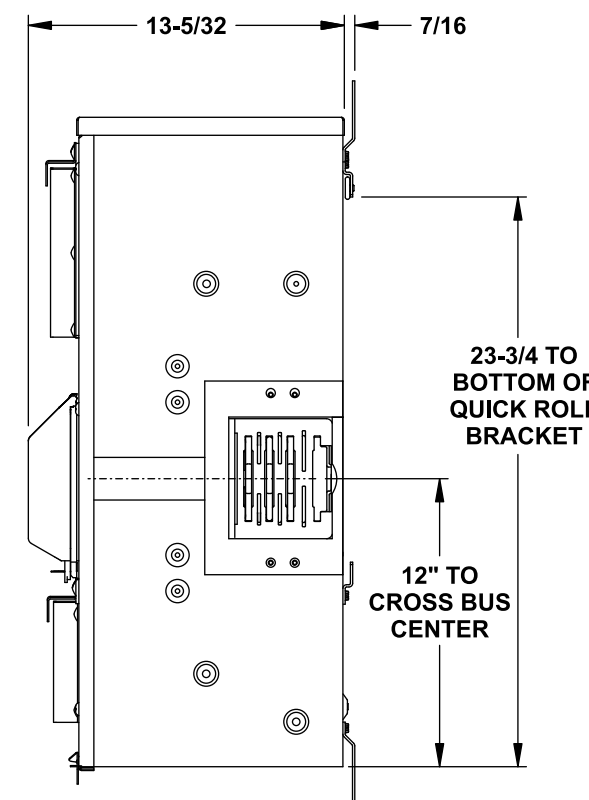
Connect Modules Using:	Catalog Number / Torque
QuickConnect	QC1 (1ph) 400-440 lb-in (35-36 ft.-lb.) Torque
Single Bolt Joint	SBJ1 (1ph) 400-480 lb-in (35-40 ft.-lb.) Torque

View Shown with Cover Removed

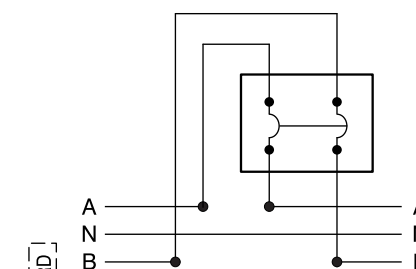


GROUND BAR PROVISION

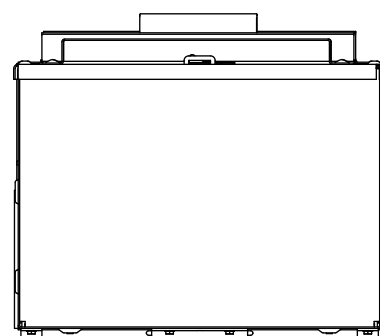
SPRING-LOADED STUDS (SEE DETAIL)



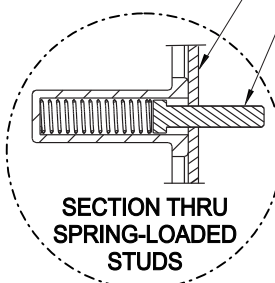
Schematic



When this module is used as a Service Disconnect, apply "Service Disconnect" label near the breaker handle cover. In all other applications, apply the "Feeder Breaker" label near the breaker handle cover.



#10-32 x 7/8 SCREWS ENCLOSURE WALL



SECTION THRU SPRING-LOADED STUDS

© 2012 Copyright Siemens Industry, Inc.

SIEMENS
Siemens Industry, Inc.

PowerMod™ Cross Bus Main

Catalog Numbers:
1 Phase, 450-600A, 65k-100kAIC Modules

Size B Dwg. No. **WXB1450N-WXB1600NU**

Dwn KAM Date 11/2/12 DO NOT SCALE DRAWING SHEET 1 OF 1