


Item: Class "R" Fuse Adapter Kit
(Kit Catalog Numbers shown below)

For use with:
Fused Enclosed Switches,
Panelboards, and Bus Plugs

Pc. No. 410415A01

Installation Instructions for these Class "R" Fuse Adapter Kits



⚠ DANGER

Hazardous voltage.
Will cause death or serious injury.

Turn off and lock out all power before working inside.

Replace the covers and shields before restoring power.

⚠ SAFETY INSTRUCTIONS

Note: This instruction outlines recommended installation procedure.

1. Turn OFF the power supplying the device.
2. Turn the device OFF.
3. Add the Class "R" fuse adapters to each pole on the load base only.
 - A. Insert shell and drive rivet into the fuse clip assembly (Fig. 1).

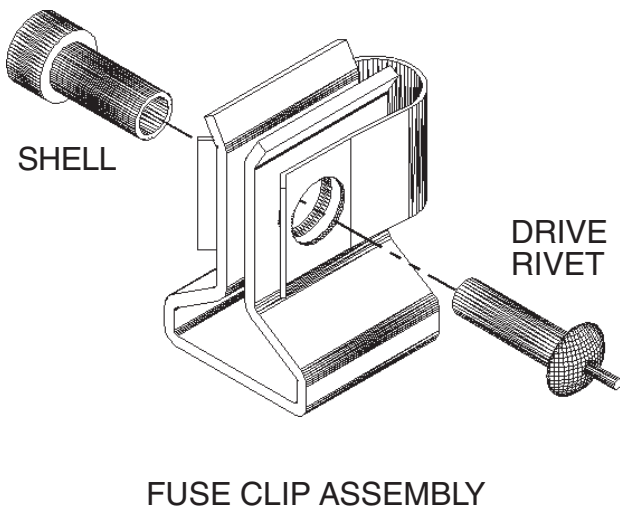


Fig. 1

System	Kit
100 Amp, 240 or 600V	HX363RF, SSRK33, W55365, W63864
200 Amp, 240 or 600V	HX364RF, SSRK34, W55366, W63865
400 Amp, 240 or 600V	HX365RF, SSRK35, W55367
600 Amp, 240 or 600V	HX366RF, SSRK36, W55368

- B. Squeeze drive rivet pin and shell together until the drive rivet pin is flush with the head (Fig. 2).
4. Remove backing from the fusing label and attach in a visible area near the load base.
5. Install Class "R" fuses.
6. Replace all shields and close cover before turning power ON.

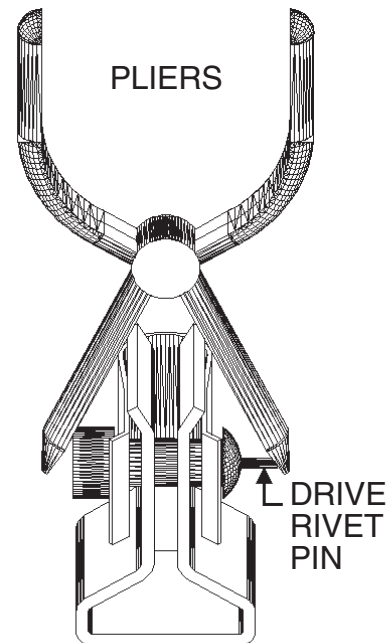


Fig. 2