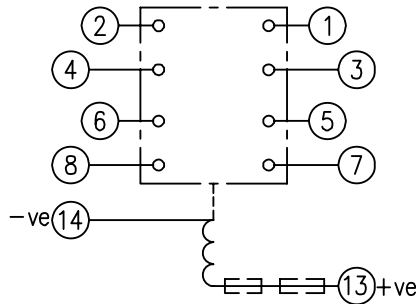


LOOKING ON FRONT OF RELAY

2112W50060

**NOT SUBJECT TO UPDATE  
ONCE COPIED / PRINTED  
OR DOWNLOADED**



NOTE:

- RESISTORS ARE NOT REQUIRED ON OTHER VOLTAGE VARIATIONS.
- THE AR141T2 125VDC & 240VDC VERSIONS MUST HAVE RESISTOR 2101C21471 FITTED INSTEAD OF THE ONE SPECIFIED ON CHART. SEE RELEVANT B.O.M.
- HEAVY DUTY CONTACTS ARE FITTED WITH BLOWOUT MAGNETS AND ARE POLARITY CONSCIOUS. SEE TABLE FOR +VE TERMINAL.

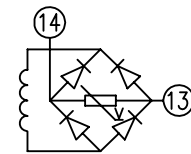
**PRINTED ON 10/09/2009  
ENSURE CORRECT REVISION  
DESTROY AFTER USE**

50	NIL.	NIL.	
125	* 2101C21102 ONLY.	NIL.	SEE NOTE 2 *
240	* 2101C21102 +EXT. RES.	EXT. RES. ONLY	SEE NOTE 2 *
VDC	RES.(T1,T2,T3,T6).	RES.(T4).	REMARKS

- KEY**
- make contact
  - break contact
  - c/o contact
  - ext. conn plug bridge - shorting
  - metering point
  - 5Kv barrier
  - test socket - shorting
  - plug & socket

CONTACT CONFIG.	OUTPUT CONTACT PAIR / TERMINAL No.					
	1-3	2-4	5-7	6-8	9-11	10-12
4M	M	M	M	M		
3M 1B	M	B	M	M		
2M 2B	B	B	M	M		
1M 3B	B	B	M	B		
4B	B	B	B	B		
4M(HD)	M+	M+	M+	M+		
3M(HD) 1B(HD)	M+	M+	M+	+B		
2M(HD) 2M(STD)	M+	M+	M	M		
2M(HD) 2B(STD)	M+	M+	B	B		
2M(STD) 2B(HD)	M	M	+B	+B		

NOTE: WHEN RECTIFIER IS SPECIFIED COIL CONNS. ARE AS SHOWN.



FRAME REFERENCE: E2FAQQ.

FRAME TERMINAL BLOCK ASSY: -

ASSEMBLY INSTRUCTIONS: -  
TYPICAL ASSEMBLY DRAWING 2995G10032.  
AT INDICATED POSITIONS FIT AS FOLLOWS:  
T - FIT TRIP ISOLATION CONTACT 2995B10053  
S - FIT STANDARD CONTACT 2995B10054  
SECURE CONTACTS USING FIXING SCREW 2109F99009.  
POSITIONS SHOWN BLANK ARE UNUSED

2	T	T	1
4	T	T	3
6	T	T	5
8	T	T	7
10			9
12			11
14	S	S	13
16			15
18			17
20			19
22			21
24			23
26			25
28			27

VIEW FROM NUMBERED SIDE OF BLOCK

OUTER TERMINAL BLOCK ASSY: -

ASSEMBLY INSTRUCTIONS: -  
TYPICAL ASSEMBLY DRAWING 2995G10029.  
AT INDICATED POSITIONS FIT AS FOLLOWS:  
S - FIT STANDARD CONTACT 2995B10051  
HC - FIT 'HEAVY CURRENT' KIT 2995G10030  
WHERE IS SHOWN FIT CT SHORTING KIT 2995G10031  
POSITIONS SHOWN BLANK ARE UNUSED.  
ALL POSITIONS FIT SCREW 2106F12506.

2	S	S	1
4	S	S	3
6	S	S	5
8	S	S	7
10			9
12			11
14	S	S	13
16			15
18			17
20			19
22			21
24			23
26			25
28			27

VIEW FROM INSIDE FACE

Title: T.B. AND W.D. FOR AR1-1T- 4 CONTACT (STD & HD) RELAYS IN EPSILON E2 CASE.			First used on:		
3 RDW 10/09/09 MN112/3177			Similar Articles:		
2 RDW 27/07/07 MN112/2888			Supersedes:		
1 21/04/99			Drg.No.		
ISSUE DATE MOD.No.			2112W50060		
DRAWN: A.LAW.		CHECKED:	APPROVED: R.D.WATSON	DATE: 16/07/02	Copyright © 1999 Reyrolle Ltd.