

SIEMENS Electronic Programmer RWB2007



Features

- Easy to read large back-lit display
- Simple operation
- Easy programming 5/2 Day or 7 Day
- Real time clock / calendar
- Auto summer / winter change over
- 2/3 On / Off's
- Industry standard backplate
- Battery backup
- Audible & Visual Service Interval capable
- One hour boost
- Advance

Use

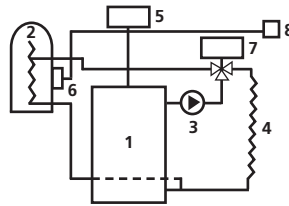
The RWB2007 is a 5/2 Day or 7 Day programmer with up to 3 on/off periods per day.

Application Examples

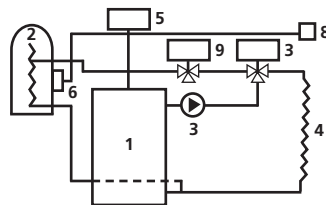
Key

- Boiler
- Hot water cylinder
- Pump
- Heating Circuit
- Programmer RWB
- Cylinder thermostat RAM
- 3 Way Valve CMV
- Room Thermostat RAA
- Zone valve CZV

Mid Position System (Fully Pumped)

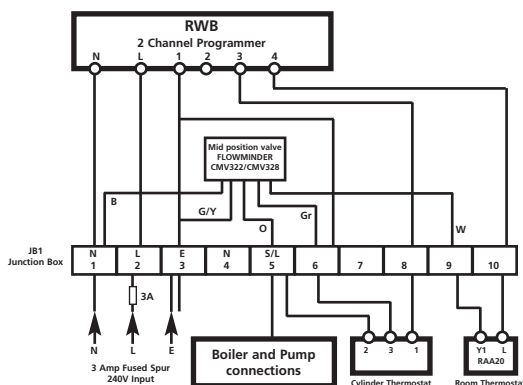


Zone Valve System (Fully Pumped)

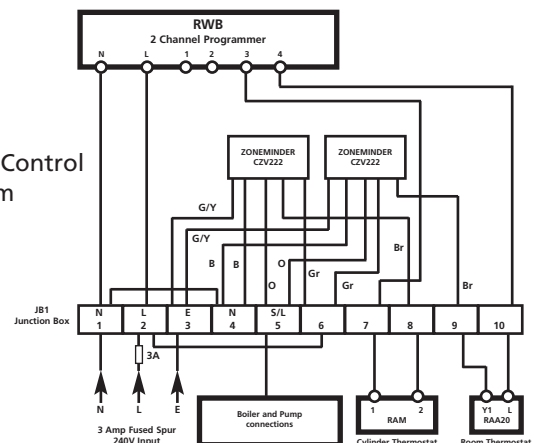


Wiring Diagrams

Mid-Position System



Zone Control System



Technical Data

Operating Voltage	AC 220-240 V	Ambient temperature range	0°C to 40°C
Switching Voltage	240 V	Environmental humidity	80% RH
Frequency	50 Hz	Housing ABS resistant to fire	as IEC730 standard
Contact Rating		Dimensions	145mm wide x 90mm high x 34mm deep
- resistive	6 Amp	Alarm 57db at 1 metre	
- inductive	2 Amp		



Electrium Sales Limited A Siemens Company

Commercial Centre, Lakeside Plaza, Walkmill Lane, Bridgtown, Cannock WS11 0XE.
Tel: 01543 455000 Fax: 01543 455001 www.electrium.co.uk