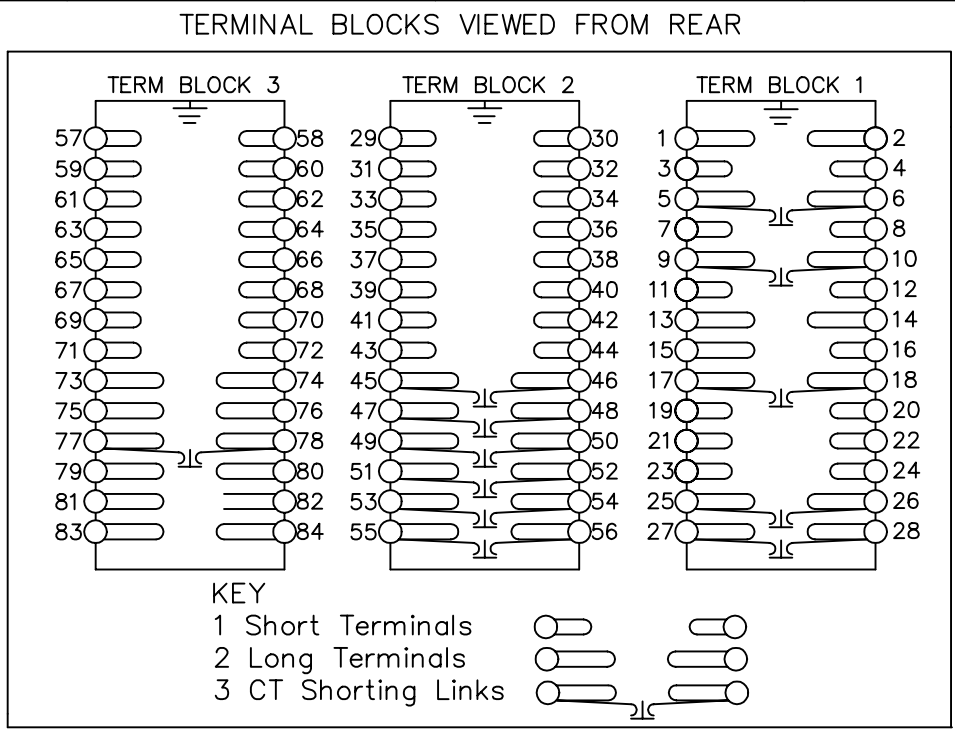
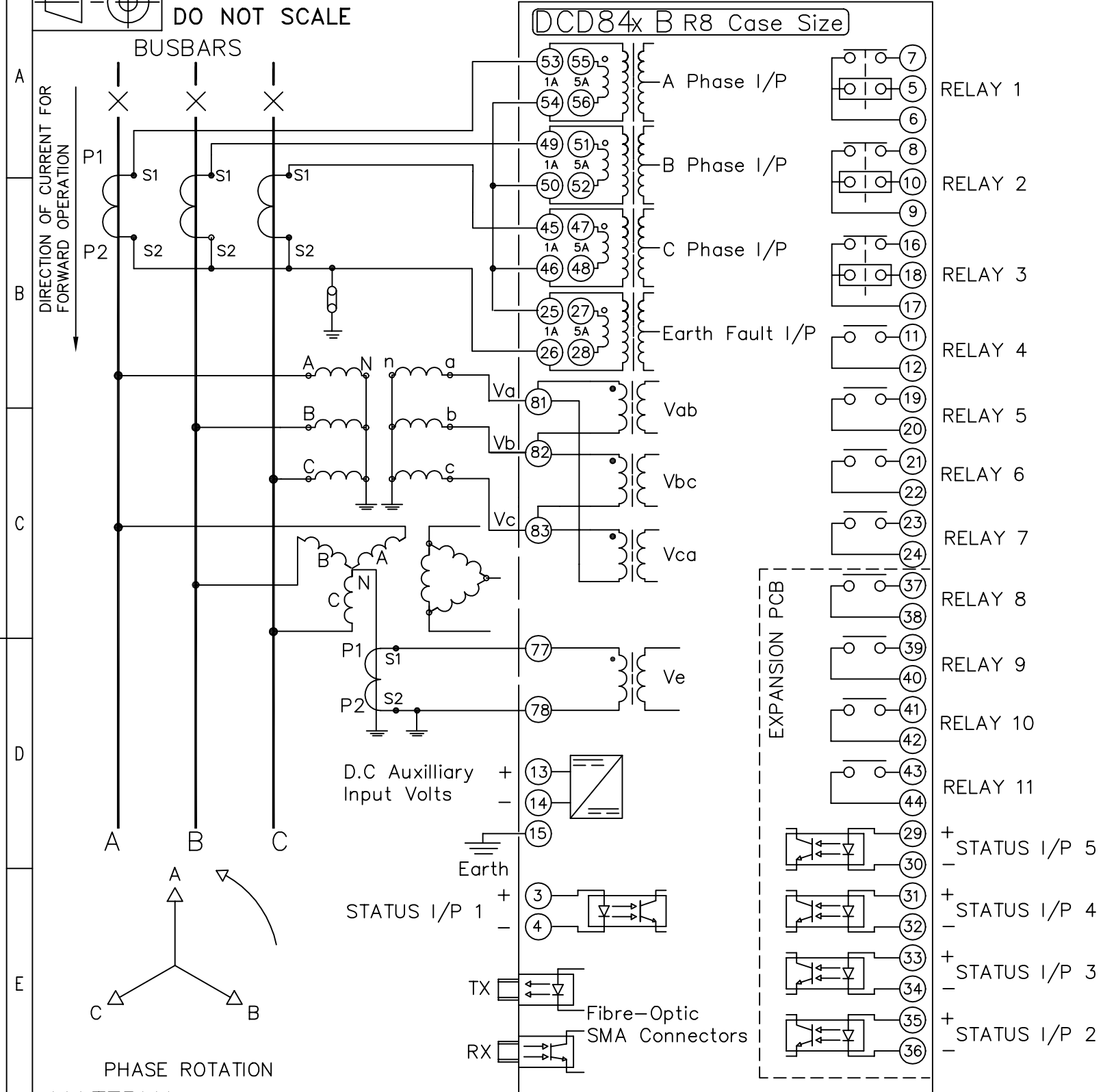


IF IN DOUBT ASK
DO NOT SCALE



NOTES

- 1 CT CIRCUITS ARE SHOWN CONNECTED TO RELAY 1 AMP TAP. USE ALTERNATIVE TAP FOR 5AMP RATED CTs.
- 2 CT & EARTH CONNECTIONS ARE TYPICAL ONLY.
- 3 FOR TERMINAL DIAGRAM SEE 2434W20003 (A2)
- 4 FOR DCD65xB DIRECTIONAL 2 PHASE WITH CURRENT POLARISED DIRECTIONAL EARTH FAULT B PHASE CURRENT INPUT IS NOT CONNECTED.
- 5 DRG SHOWS OPTION B (11 O/P. 5 I/P).

NOT SUBJECT TO UPDATE
ONCE COPIED / PRINTED
OR DOWNLOADED

MATERIAL:

Dimensions in millimetres : Surface texture in micrometres.
Machine where marked ✓
For explanation of dimensions, tolerances, notes etc. see B.S.308.
Limit on untoleranced unmachined dimensions ± _____
Limits on untoleranced machined dimensions to B.S.4500;
i.e. up to 6±0.1; over 30 to 120±0.3; over 315±0.8;
over 6 to 30±0.2; over 120 to 315±0.5;
General unmachined angular tolerance ± _____

Finish: _____
Treatment: _____

Title:
TYPICAL SCHEME FOR 2 PH DIR+ CURRENT POL DIR E/F &
3 PH DIR + CURRENT POL DIR E/F. DCD RELAY

Reyrolle Protection
Hebburn.

First used on: _____
Similar Articles: 2434W10043
Supersedes: _____
Drg. No. 2434W10028