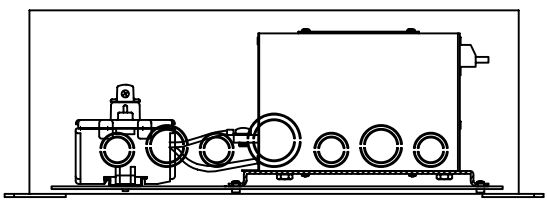
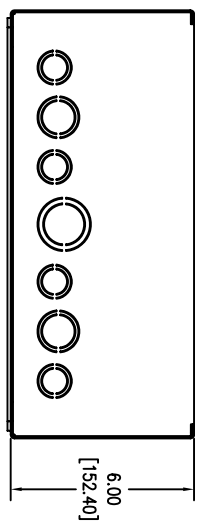
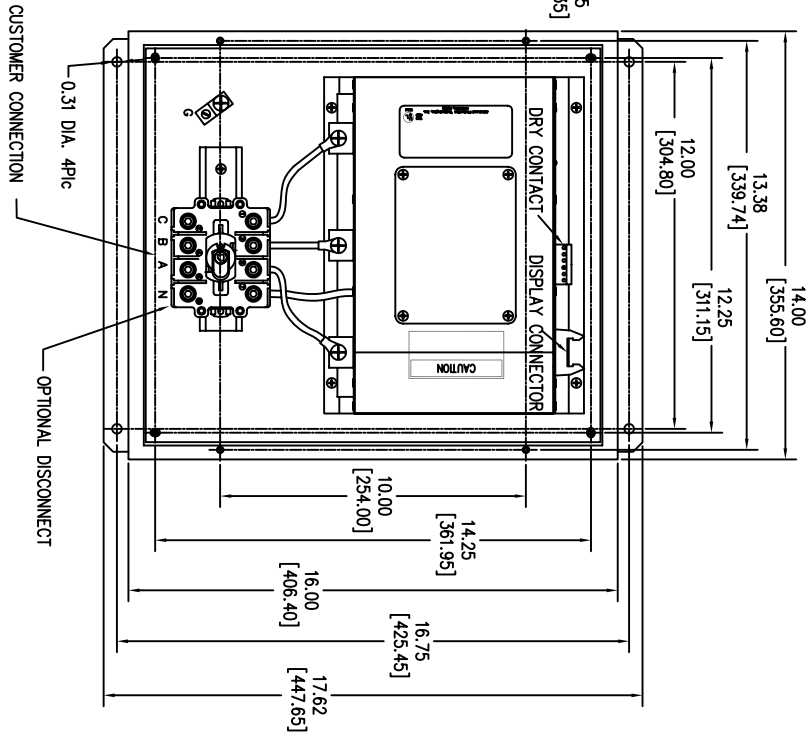
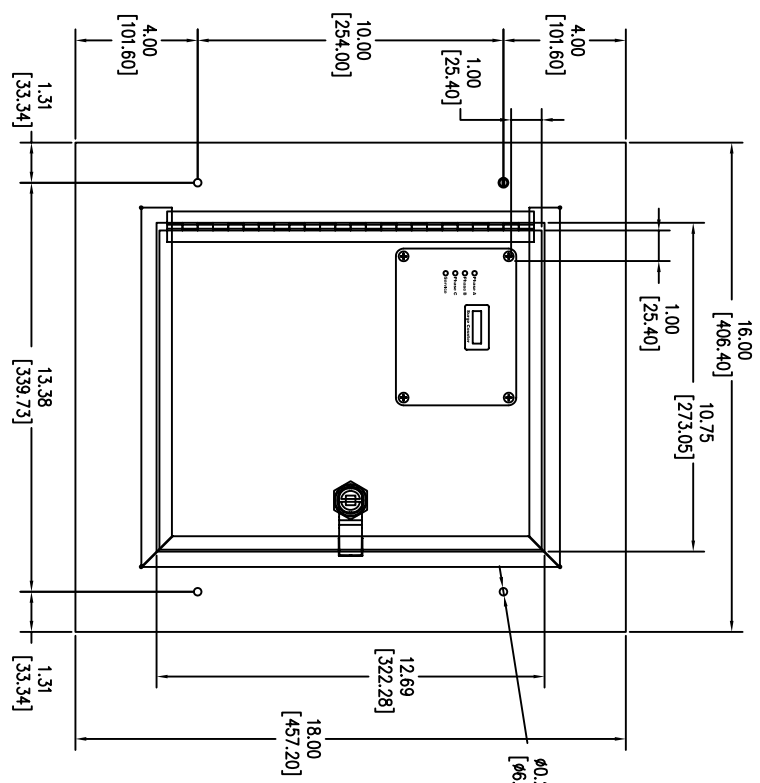


**SURGE PROTECTIVE DEVICE (SPD)
WEIGHTS & DIMENSIONS
NEMA RATING: 1 FLUSHMOUNT**



ENCLOSURE SPECS.
DESC: ENCLOSURE, FLUSHMOUNT PULLBOX
DIM: 16"H x 14"W x 6"D
MAT: CARBON STEEL, 16 GAUGE
FINISH: POWDERCOAT ANSI 61 GRAY
NEMA RATING: 1
DEVICE WEIGHT: 29.35LBS. (13.31KG.)

Rev	C.N.	Date
△	-	Denotes latest changes.
□	-	Critical dimension.

DESIGNED BY: H. DRIGGERS	DATE: 6/17/26
DRAWN BY: H. DRIGGERS	DATE: 6/17/26
CHECKED BY: H. DRIGGERS	DATE: 6/17/26
APPROVED BY: H. DRIGGERS	DATE: 6/17/26

TPS3-12 SERIES	400K-500K W/DS	FLUSHMOUNT NEMA: 1
43D-TPS3-12500DS-FM1M		
NONE		

Confidential - Property of Siemens Industry, Inc. Building Technologies Division