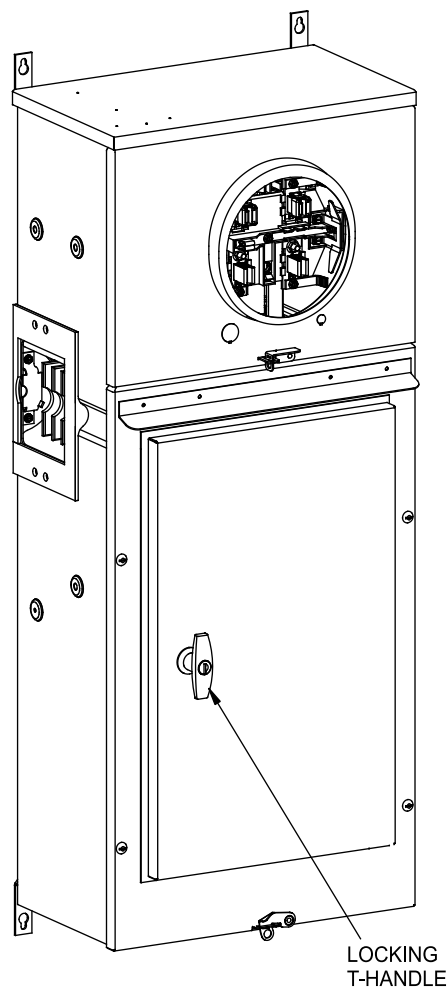


# Catalog Numbers, Ratings and Features

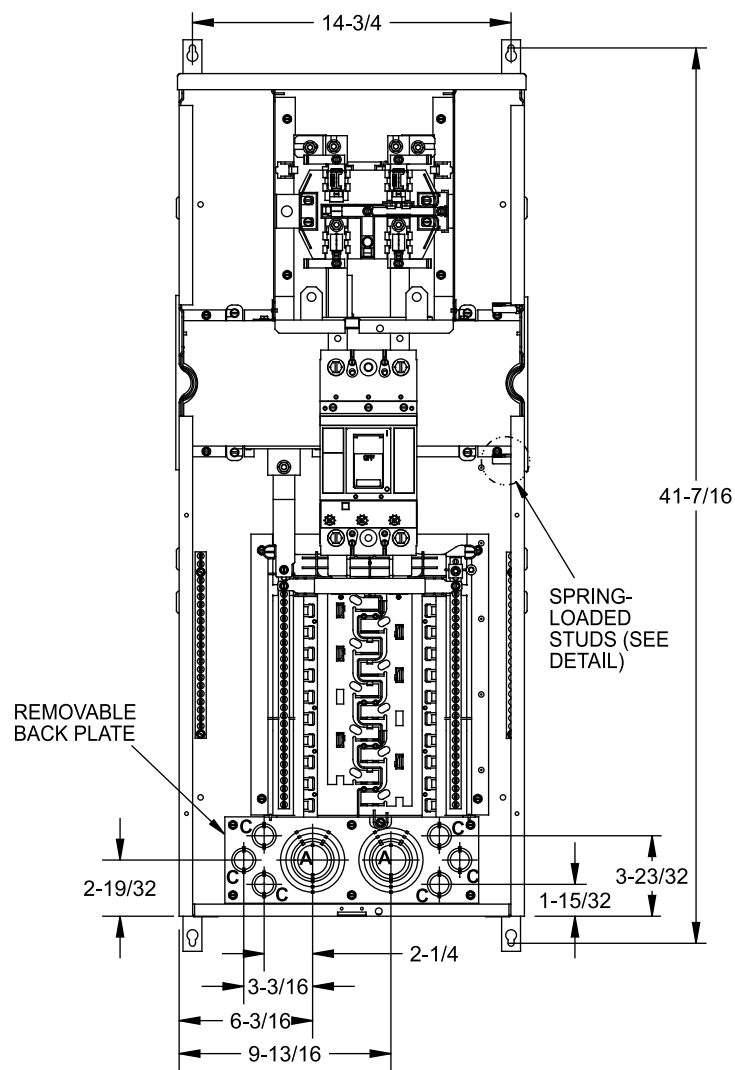
Catalog No.	Meter Socket Cover	Main Bus, 1200A Max	Main Breaker Max. Rating	Max. 1" Breaker Positions	Max. Circuits	Jaws	Horn Bypass
WC2040B1T1	RING-TYPE	1 Phase	225A	20	40	4	N
WC2040B1T1R	RINGLESS	1 Phase	225A	20	40	4	N
WC2040B1T1RJ	RINGLESS	1 Phase	225A	20	40	5	N
WC2040B1T1RJB	RINGLESS	1 Phase	225A	20	40	5	Y

- Type 3R Outdoor Enclosure
- Main Bus Rating: 1200A Max.
- Meter Socket Rating: 200A Continuous
- 1 Phase In, 1 Phase Out
- 120/240 Volts AC, 1 Phase, 3 Wire  
208Y/120 Volts AC (5th jaw may be required)
- 100K AIC Max. Short Circuit Current Rating  
(See Wiring Diagram for Details)

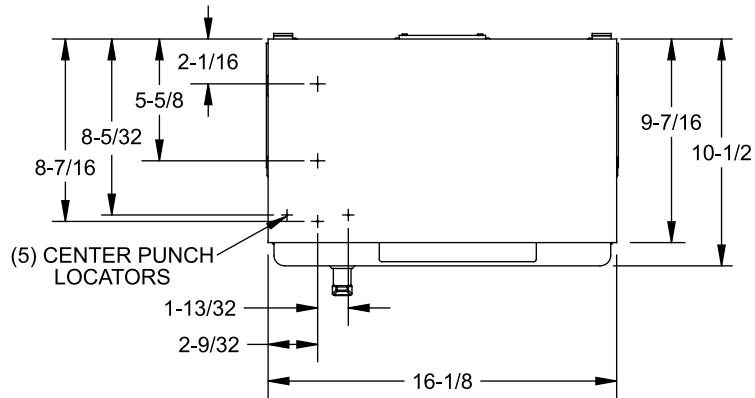
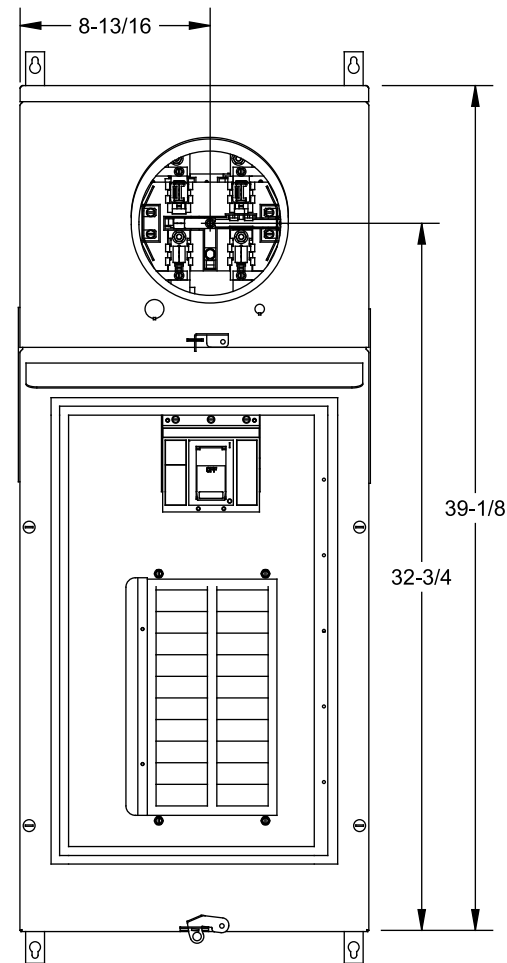


LOCKING T-HANDLE

View Shown with Covers Removed



View Shown with Door Removed



## Circuit Breakers

Installed Main Breaker:  
HFD62B225

Use Siemens Branch Breaker Types:  
QP, QPH, HQP, QT, QAF, QAFH,  
QAF2, QAF2H, HQAF2, QPF, QPFH,  
QE, QEH, QNR, QNRH, HQNR

## Additional Modules

Connect Modules Using:  
QuickConnect Catalog No: QC1  
Torque: 400-440 lb-in (35-36 ft.-lb.)  
Single Bolt Joint Catalog No: SBJ1  
Torque: 400-480 lb-in (35-40 ft.-lb.)

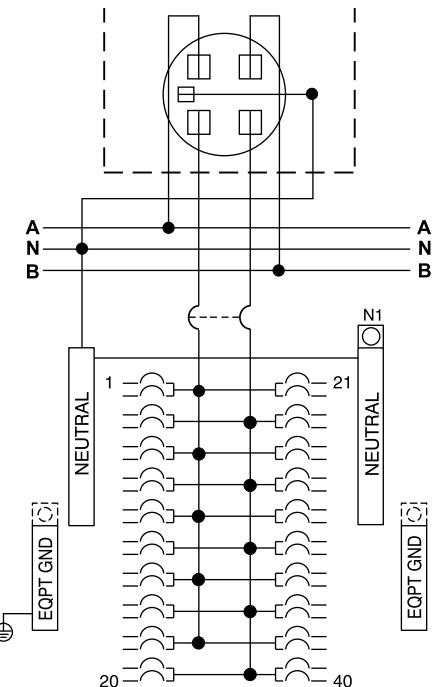
Use with Module . . . . . Siemens Series#  
Main Breakers . . . . . (W)MC, WB, WEB, WXB  
Switches . . . . . WMP, WMS, WS, WES  
Tap/Terminal Boxes . . . . . WMTB, WTB, WET, WT\_PU  
Pull Boxes . . . . . WMMB  
Meter Module . . . . . (W)MM, WxMM, (W)MT,  
(W)ML, (W)MK  
Meter Combinations . . . . . WC, WCL, WCT  
Extension Box . . . . . WMEX, WSP, WSPD  
Bussed Elbow . . . . . BE

## Accessories

Accessories	Cat. No.
1" Filler Plate	ECQF3
SubFeed Lug Kit	ECLK2125
SubFeed Lug Kit	ECLK2225
Neutral Lug Kit	ECLK1-2
Neutral Lug Kit	ECLK2
Meter Socket Repl.	ECMF5
Horn By-Pass	ECMFH
5th Jaw Mod	ECMF5
Insulated 5th Jaw	ECMF5i
End Closure Plate	WMEP
Meter Cover Plate	ECCP3
Mounting Tabs (2)	ECMFTAB
Back Rail/Clip	ECMFWLCLIP
Mounting Rail	MMRAIL
Wall Mounting Rail (60")	MMZR60
Arc Flash Label	ECAFL

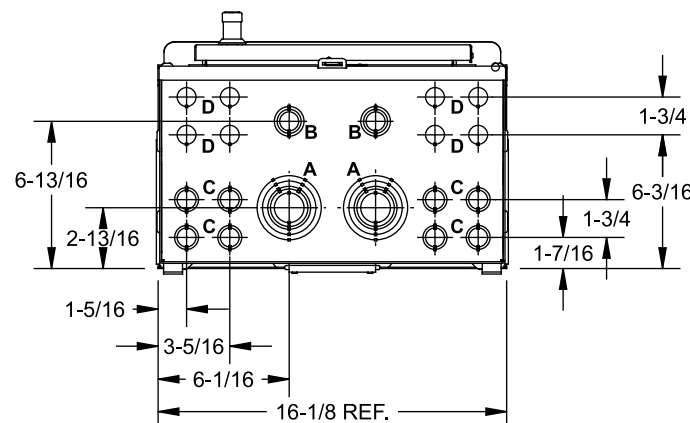
## Schematic

(Shown with 5th Jaw Installed)



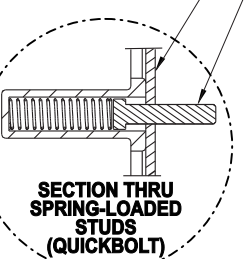
Terminal	Wire Size	Torque
N1	2/0 -#4 AWG	110 lb-in
Branch Breaker Terminals	See Markings on Breaker	
N1/Equip	#10 - #14 CU	20 lb-in
GND	#10 - #12 AL	20 lb-in
	#8	25 lb-in
	#6 - #4	35 lb-in
Ground Conductors Only	(2) or (3) #14 AWG	20 lb-in
	(2) #12-#10 AWG	20 lb-in
<b>Ground Bar/Neutral Lug Kits</b>		
ECLK1-2	2/0 -#2 AWG	45 lb-in
ECLK2	2/0 -#4 AWG	135 lb-in

WC2040B1T1RJB Shown



Knockout Chart		
Designation	KO Size	Qty
A	2-1/2, 2, 1-1/2, 1-1/4, 1"	4
B	1, 3/4, 1/2"	2
C	3/4, 1/2"	14
D	1/2"	8

#10-32 x 7/8 SCREWS  
ENCLOSURE WALL



© 2013 Copyright Siemens Industry, Inc.

**SIEMENS**  
Siemens Industry, Inc.

**PowerMod™ Modular Metering**

Catalog Numbers: **1in-1out Residential Socket with 20 Position 40 Circuit Panel**

Size B Dwg. No. **RESI 1-1\_NB**