

SIEMENS

Rainproof Combination Metering

Catalog Number
MM0404L1400FDS

Enclosure
Type 3R

Class CTL Panelboard

Device Rating: 400 Amp, Max; 120/240 Volts ~, 1 phase, 3 wire
Meter Socket Rating: 400 Amp Max. 320 Amp Continuous

For installation by Qualified Person in accordance with all local electrical codes and/or the National Electrical Code.®

Suitable Only For Use As Service Equipment

For Underground Service Only

Terminals Suitable for 60°/75° C Copper or Aluminum Conductor

Unused neutral branch terminals may be used to terminate equipment grounding wires in the combinations indicated for equipment ground bar terminals.

General Information:

Circuit breaker trip position is indicated by handle position midway between ON and OFF. To reset, move handle to OFF position then turn ON.

Line Terminals:

Provisions for UL listed one or two hole NEMA mounting terminals.
Compression terminals to #750 kcmil, single conductor, ILSCO type ACL or 2ACL.
Installation Tool : THOMAS & BETTS # TBM8 for #10-350kcmil(AL), #8-500kcmil(CU) TBM8-750M-1 for #8-750kcmil(CU/AL)

Tightening Torques:

5/16" Nuts(1/2" Drive).....130-140 in-lbs
3/8" Nuts(9/16" Drive).....240-260 in-lbs
1/2" Nuts(3/4" Drive).....490-540 in-lbs

Test By-Pass Nut

Torque 35-40 in-lbs

Accessories:

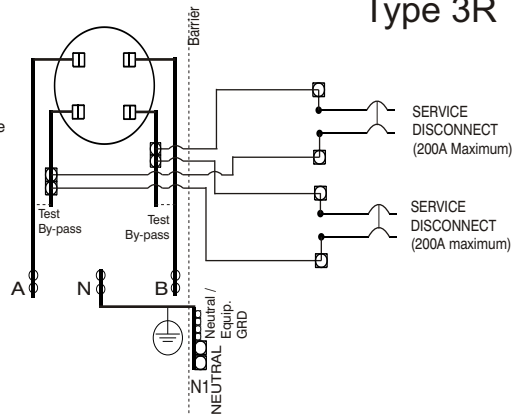
Filler Plate QF3 or ECQF3
200 Amp Main Breaker QN2200RH
150 Amp Main Breaker QN2150RH
LUG #6-350 kcmil SUK350TA
LUG #2-600 kcmil SUK600TA
LUG 500-1000 kcmil SUK1000TA

Load, Neutral and Ground* Terminals:

Terminal	Wire Size	Torque
A, B, N		
SUK350TA	(2) #6-350kcmil	275 lb-in
SUK600TA	#2-600kcmil	375 lb-in
SUK1000TA	500-1000kcmil	500 lb-in
N1	300 Kcmil - #4	250 lb. In.
Neutral Bar/ Ground Bar (2/0-14)	#10 - #14 CU	35 in-lbs
	#10 - #12 AL	35 in-lbs
	#8	40 in-lbs
	2/0 - #6	45 in-lbs

* Only Equipment Ground Terminals may use more than one wire per terminal.

Ground Terminal Size	Wire Range	Torque
#4-#14 (ECGB)	(1, 2 or 3) #14,	20 lb-in
	(1 or 2) #12-#10	20 lb-in
	#8	25 lb-in
	#6-#4	35 lb-in



Equipment Ground:
ECGB5, ECGB10, ECGB14

If hub is required, use the catalog numbers listed below:

Trade size (in)	Catalog number
HD Type Hub (bottom endwall)	
2"	EC56854
2 1/2"	EC56855
3"	EC56856
3 1/2"	EC56857
4"	EC56858
Closure Plate	EC56933S

WARNING:

Removal of meter does not de-energize circuit when By-Pass provided.

Short Circuit Current Rating (Wathour Meter not included in short circuit rating)

This panelboard has a short circuit current rating of 22,000 Amps RMS symmetrical, 120/240 V~. The correct circuit breakers to be used for various short circuit current levels are listed in the tabulation below. Any circuit breaker installed, replaced, or added in this panelboard must be manufactured by Siemens and must be of the correct type as indicated in the tabulations below.

SERVICE DISCONNECTS	Then the maximum short circuit current rating in RMS Symmetrical Amperes 120/240V AC is
When the installed service disconnect is a Siemens type	
NONE or QP, QNR	10,000
NONE or QPH, QNRH	22,000

Siemens Energy & Automation, Inc. Alpharetta, Georgia U.S.A.

MANUFACTURING DATE:

J2

4099912 REV. B

Important Do not spray or allow any petroleum based chemicals, solvents, or paint to contact interior components.

©The National Electrical Code is a registered trademark of the National Fire Protection Association.

©2007 Copyright Siemens Energy & Automation, Inc.

ASSEMBLED IN MEXICO