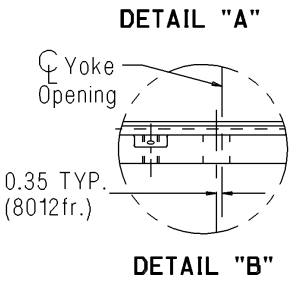
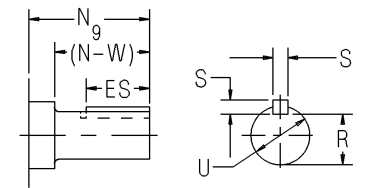
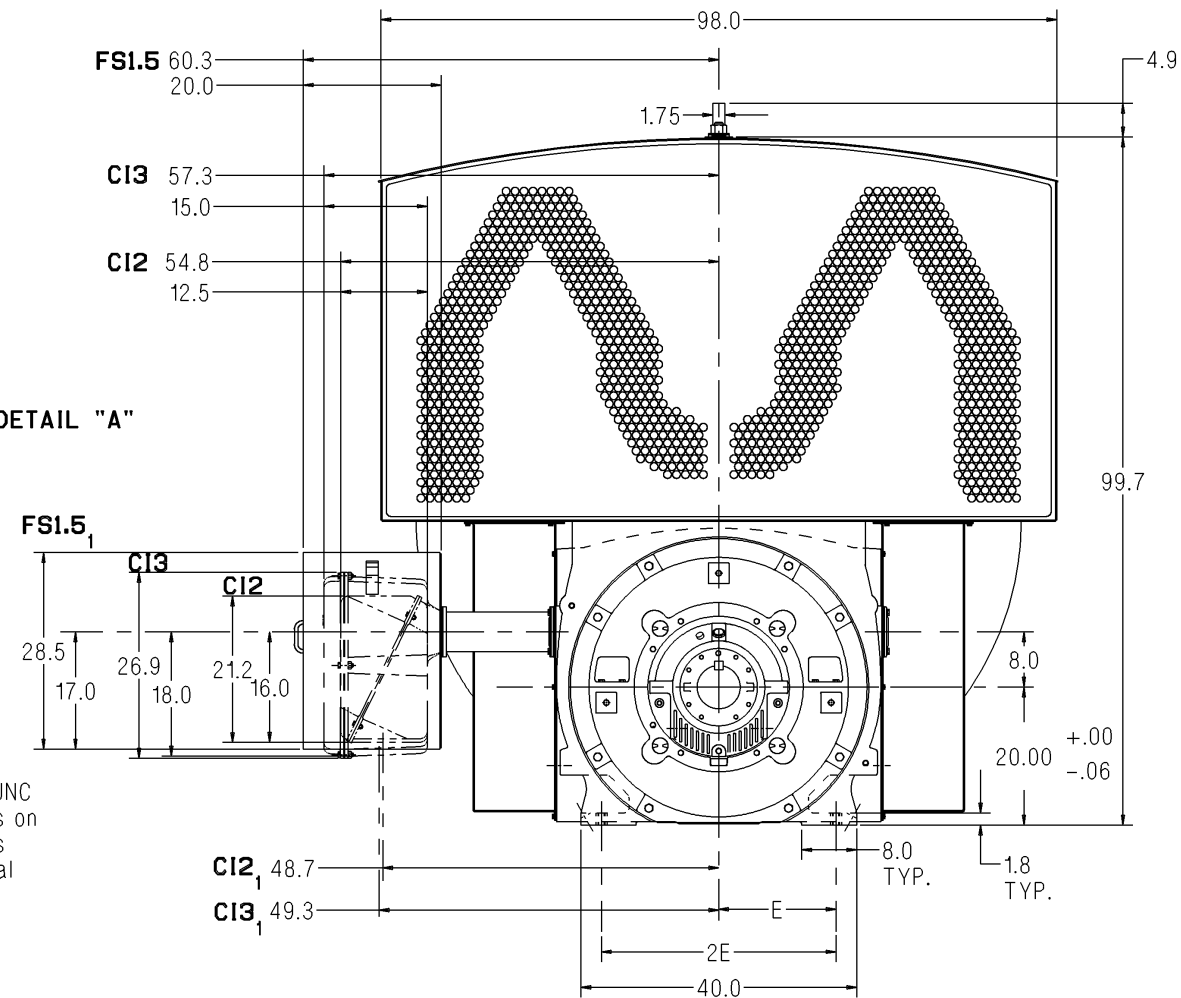
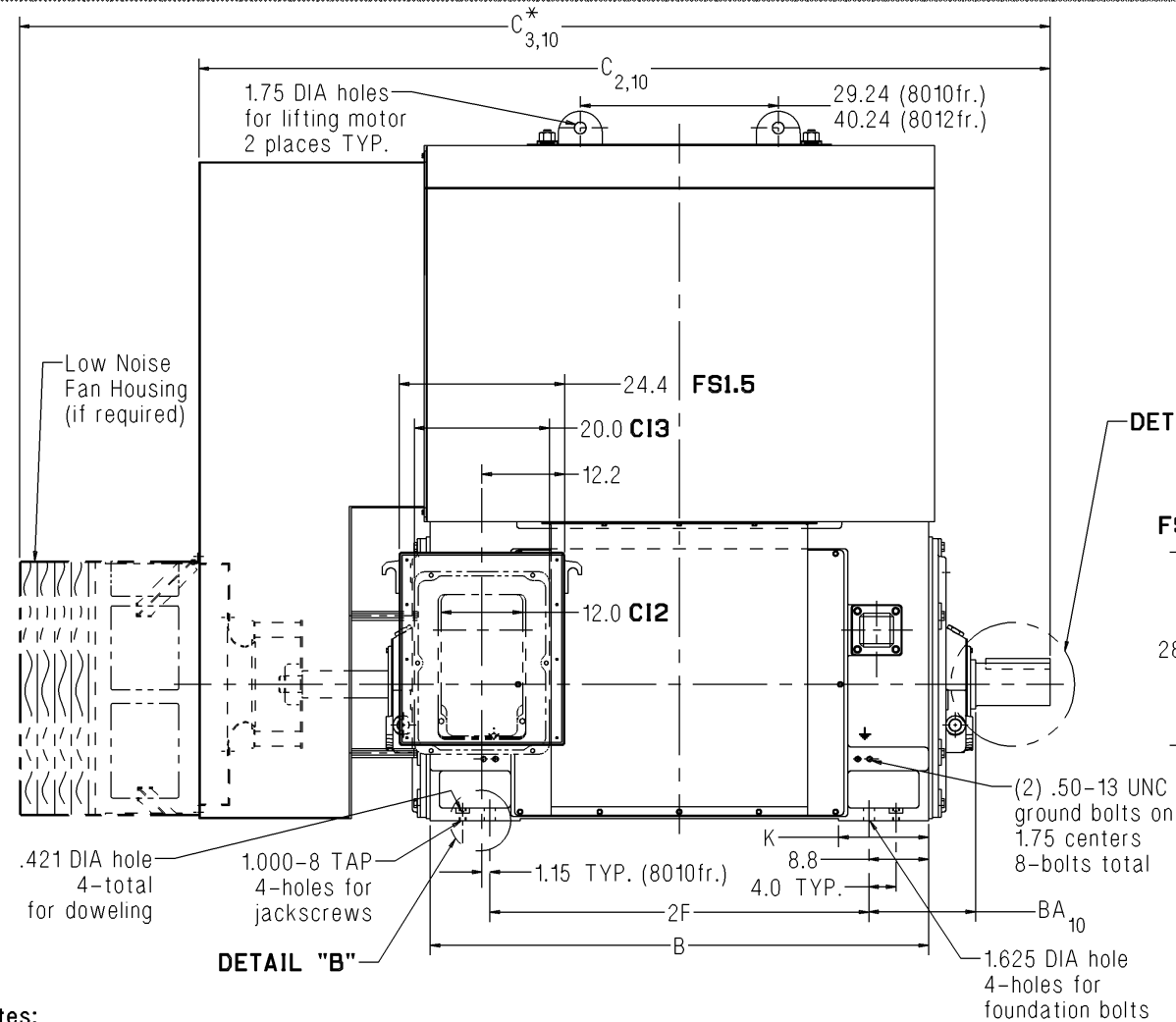


SIEMENS

Dimension Prints for Above NEMA Motors

Type CAZ - Horizontal - TEAAC with Shaft Mounted Fan
Sleeve Bearing - Direct Connected
Frames 8010 / 8012 - 4 Pole & Slower - Rotatable Main Conduit Box



Notes:

- Main conduit box may be rotated 90° towards drive end only. A removable bottom plate is supplied on the FS1.5 conduit box. A 5.0 N.P.T. is supplied on the CI2 and CI3 conduit boxes. A 16.0" spacer is supplied on both frames for all rotatable conduit boxes.
- C = Length of motor from drive end of shaft to end of standard fan housing.
- C* = Length of motor from drive end of shaft to end of low noise fan housing.
- V = (N-W) - 0.25" = length of shaft available for coupling.
- Machines may rotate in one direction only.
- Shims may be necessary under motor feet for direct connection.
- Rotor end float = 0.5"
- End float of LEF coupling = 0.19"
- Adding a rotating labyrinth seal to the drive end decreases N by: 4 Pole & Slower: 0.55"
- When adding a ground brush, consult the factory. (BA, C, and C* will increase.)
- For motors equipped with proximity probes use print CAZ_800_4plusPL_SLVPRB_ROT.
- Approximate Ship Weight is based on standard aluminum cooling tubes.

| Lubrication Per Bearing | |
|-------------------------|--|
| 4 Pole & Slower | |
| 290-350 SUS @ 100°F | |
| 6.0 qt. capacity | |

Standard Dimensions in Inches

| Shaft | Frame | Speed | B | BA ₁₀ | C _{2,10} | C* _{3,10} | E | 2F | K | N ₉ | (N-W) | R | S | U | V ₄ | ES | Approx. Ship Wt. (Lbs) ₁₂ |
|-------|-------|-----------------|------|------------------|-------------------|--------------------|------|------|------|----------------|-------|-------|------|-------|----------------|-----|--------------------------------------|
| Short | 8010 | 4 Pole & Slower | 73.6 | 15.75 | 125.7 | 152.2 | 17.0 | 56.0 | 13.3 | 11.75 | 11.0 | 5.408 | 1.50 | 6.250 | 10.75 | 9.5 | 23000 |
| Short | 8012 | 4 Pole & Slower | 88.6 | 15.75 | 136.0 | 167.2 | 17.0 | 71.0 | 14.8 | 11.75 | 11.0 | 5.408 | 1.50 | 6.250 | 10.75 | 9.5 | 27700 |

Certification: Customer _____ P.O. _____ S.O. _____ Item _____
 HP _____ RPM _____ Frame _____ PH/HZ/Volts 3/_____/_____
 By _____ Date _____ Terminal Box Size CI2 CI3 FS1.5
 Comments _____
 Not for construction, installation or application purposes unless certified.

CAZ_800_4plusPL_SLV_ROT
Revision 01
01/21/09