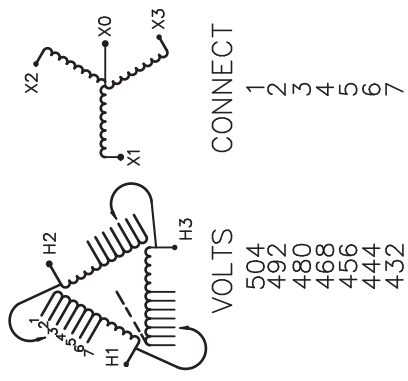



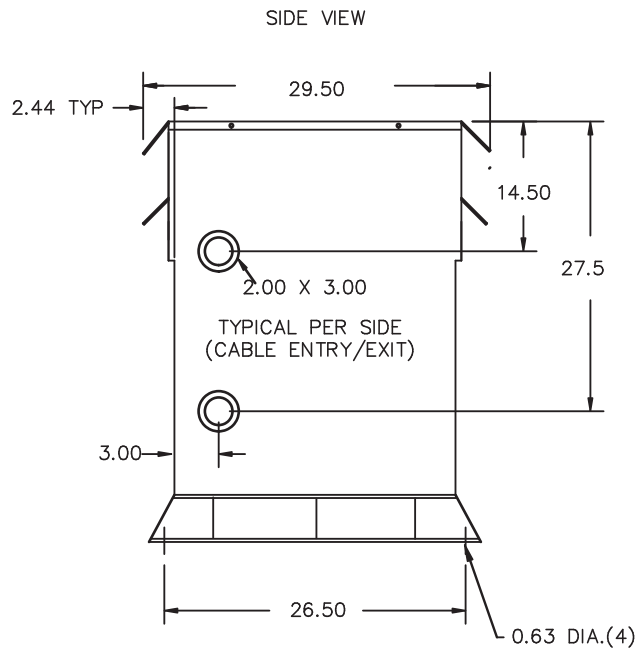
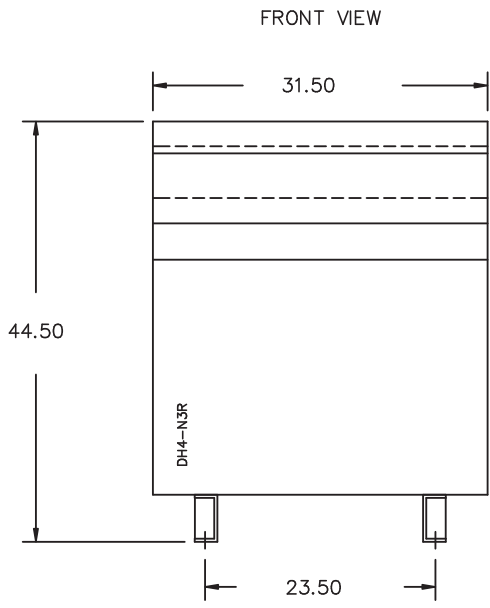


REVISION	DATE	BY	DATE	BY
			16/04/01	PP
1	CHANGED IMP & TOT.WEIGHT	16/08/03	RM	VERIF'D

Confidential - Property of Siemens Industry, Inc.		
CUSTOMER		
ORDER NO.	DWG. NO.	1
	3F3Y150K4BCD16	SH 1 OF 2

SIEMENS

<p>CATALOG NO. 3F3Y150K4BCD16</p> <p>SERIAL NO. SERIES H</p> <p>150 kVA 60 Hz 3 PHASE</p> <p>4.4 % IMP AT 100 °C</p> <p>80 °C RISE 30 °C AVG. AMBIENT</p> <p>220 °C TEMP CLASS 40 °C MAX. AMBIENT</p> <p>PRIMARY (H1 H2 H3) 480 V 10 kV BIL</p> <p>SECONDARY(X0 X1 X2 X3) 208Y/120 V 10 kV BIL</p> <p>WINDING MATERIAL CU</p> <p>ENCLOSURE TYPE 3R WEIGHT 1200 LBS</p> <p>ENERGY EFFICIENCY EXCEEDS CSA 802.2-2012 DOE 10 CFR PART 431:2016</p> <p>SPACINGS BETWEEN ANY VENTILATED ENCLOSURE PANEL AND ANY ADJACENT WALL SHALL BE A MINIMUM OF 5 INCHES EXCEPT WHEN WALL MOUNTED USING APPROVED WALL MOUNTING KIT ELECTROSTATIC SHIELD</p> <p>SUITABLE FOR NONSINUSOIDAL CURRENT LOAD WITH K-FACTOR NOT TO EXCEED K-4 SUITABLE FOR INDOOR OR OUTDOOR LOCATIONS BEFORE HANDLING, INSTALLING AND OPERATING; SEE INSTRUCTION MANUAL</p> <p>NEMA Class ANN Dry Type Transformer</p>	 <p style="text-align: center;">VOLTS CONNECT</p> <table style="margin-left: auto; margin-right: auto;"> <tr><td>1</td></tr> <tr><td>2</td></tr> <tr><td>3</td></tr> <tr><td>4</td></tr> <tr><td>5</td></tr> <tr><td>6</td></tr> <tr><td>7</td></tr> </table>	1	2	3	4	5	6	7	<p style="text-align: center;">TYPE K</p> <div style="display: flex; justify-content: space-around; align-items: center;">   </div> <p style="text-align: center;">DRY TYPE TRANSFORMER 77UL5 E112313 LR 3902</p> <p style="text-align: center;">LISTED</p> <p style="font-size: small;">SEISMIC QUALIFICATIONS, FLOOR MOUNT ONLY OSP-0136-10 IBC 2012/ASCE 7-10 SDS<=2.0g z/h=1 p=1.5</p>
1									
2									
3									
4									
5									
6									
7									
 <p style="text-align: right; font-size: small;">3F3Y150K4BCD16</p>									



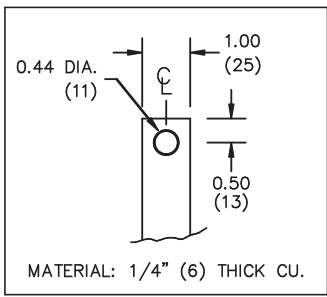
All Dimensions in inches

ENCLOSURE COLOR :ANSI 61 GREY – OUTDOOR

H.V.1. TERMINAL DETAIL

L.V.1. TERMINAL DETAIL

MECHANICAL TYPE LUGS INCLUDED
SUITABLE FOR 350MCM-6 CU/AL
CONDUCTORS
1 CONDUCTOR PER PHASE



- CUSTOMER NOTES:
- HV1 TERMINATED AT TOP FRONT
 - LV1 TERMINATED AT BOTTOM FRONT
 - 2 X 100% RATED NEUTRAL PROVIDED

Confidential – Property of
Siemens Industry, Inc.

REVISION	DATE	BY	DATE	BY
			16/04/01	PP
1	16/08/03	RM		

CUSTOMER		
ORDER NO.	DWG. NO.	1
	3F3Y150K4BCD16	SH 2 OF 2

1:1 rmova 2016/08/03 15:01