

# Catalog Number: UAS877-PGF

## Features and Ratings

- Ringless Type Meter Socket
- 200A Continuous, 200A Max
- Outdoor Enclosure (NEMA Type 3R)
- Painted G90 Steel
- 1 Phase, 3 Wire, 600V AC
- 4 Jaw
- For Underground Service Only
- Stainless Steel Hasps and Latches

### CONNECTORS

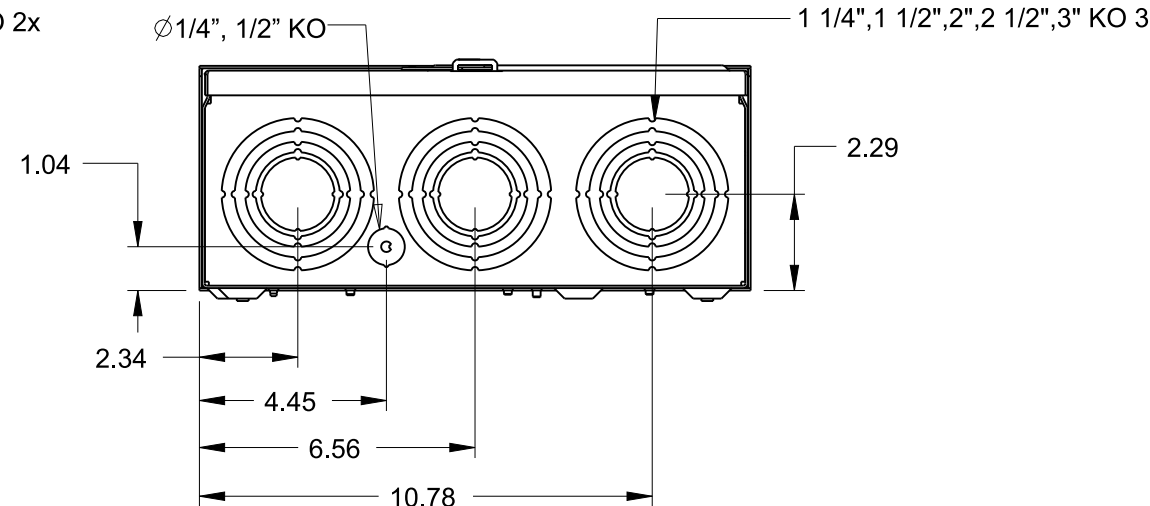
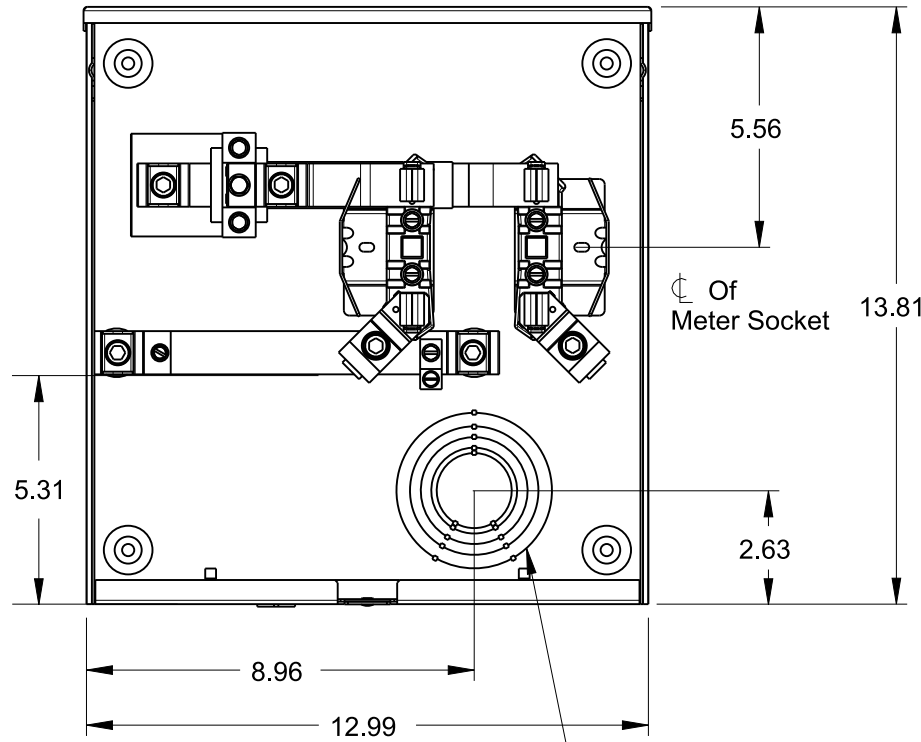
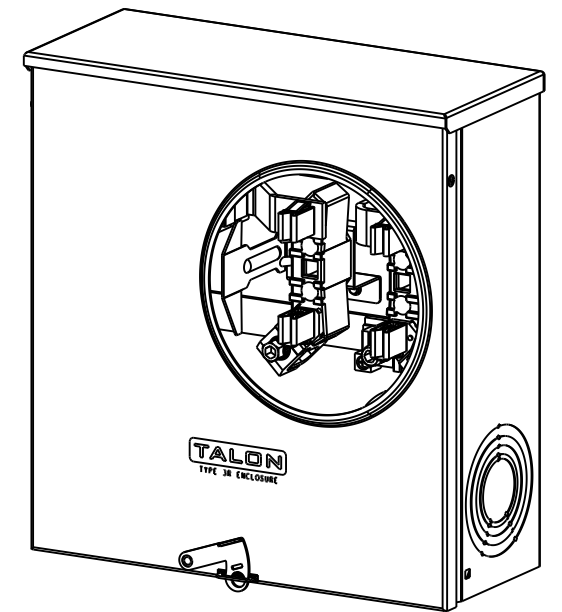
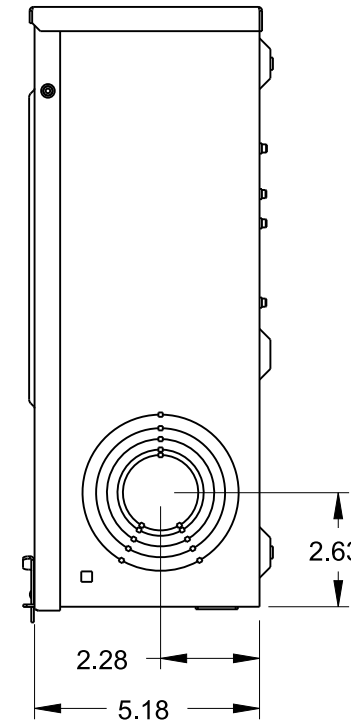
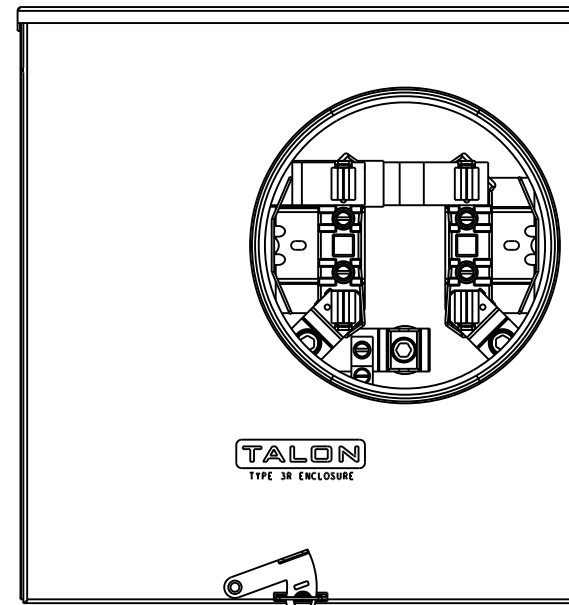
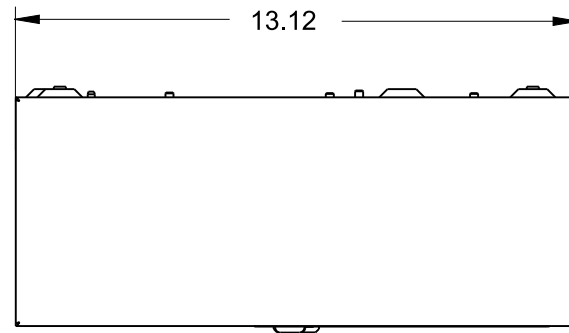
| CONNECTORS         | WIRE SIZE   | TORQUE    |
|--------------------|-------------|-----------|
| LINE, NEUTRAL LINE | #6-350kcmil | 250 IN-LB |
| LOAD, NEUTRAL LOAD | #6-350      | 250 IN-LB |
| GROUND             | #14-2/0     | 50 IN-LB  |

\* External Hex drive 1/2"  
\* Internal Hex drive 5/16"

### ACCESSORIES

Meter Opening Cover Plate  
Cat No: H39968

5th Terminal Use Talon Kit  
Cat No: 659-0121



**TALON**

**Multi-Position Metering**

Description:  
**200A Cont, 4 Jaw, AS8, 600VAC,  
Painted G90 Steel**