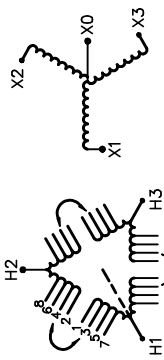




REVISION	DATE	BY	DATE	BY
		DRAWN	18/02/01	RM
		CHEK'D		
		VERIF'D		

CUSTOMER	
ORDER NO.	DWG. NO.
	3F3Y500K4CD16
	SH 1 OF 3

SIEMENS

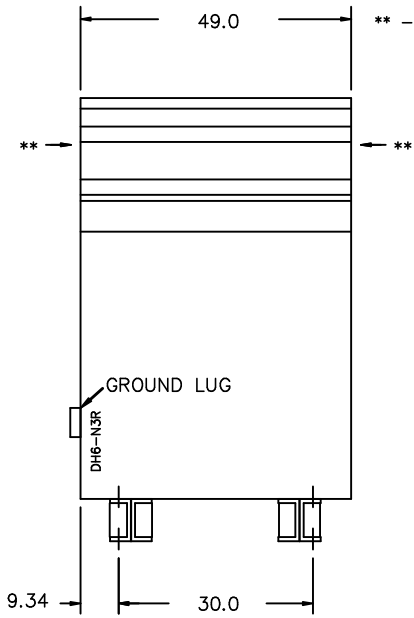
<p>CATALOG NO. 3F3Y500K4CD16</p> <p>SERIAL NO. SERIES H</p> <p>500 kVA 60 Hz 3 PHASE</p> <p>6.9 % IMP AT 170 °C</p> <p>150 °C RISE 30 °C AVG. AMBIENT</p> <p>220 °C TEMP CLASS 40 °C MAX. AMBIENT</p> <p>PRIMARY (H1 H2 H3) 480V V 10 kV BIL</p> <p>SECONDARY(X0 X1 X2 X3) 208Y/120V V 10 kV BIL</p> <p>WINDING MATERIAL CU</p> <p>ENCLOSURE TYPE 3R WEIGHT 3250LBS</p> <p>ENERGY EFFICIENCY EXCEEDS CSA D0E 10 CFR PART 431:2016 C802.2-2012</p> <p>SPACINGS BETWEEN ANY VENTILATED ENCLOSURE PANEL AND ANY ADJACENT WALL SHALL BE A MINIMUM OF 12 INCHES ELECTROSTATIC SHIELD</p>	 <p>VOLTS</p> <p>504</p> <p>492</p> <p>480</p> <p>468</p> <p>456</p> <p>444</p> <p>432</p> <p>CONNECT</p> <p>1-2</p> <p>2-3</p> <p>3-4</p> <p>4-5</p> <p>5-6</p> <p>6-7</p> <p>7-8</p>	<p>TYPE K</p> <p>DRY TYPE TRANSFORMER E112313</p> <p> LISTED</p> <p> LR 3902</p> <p>SEISMIC QUALIFICATIONS, FLOOR MOUNT ONLY OSP-0136-10 IBC 2012/ASCE 7-10 SDS<=2.0g Z/h=1 Ip=1.5</p>
---	---	---



3F3Y500K4CD16

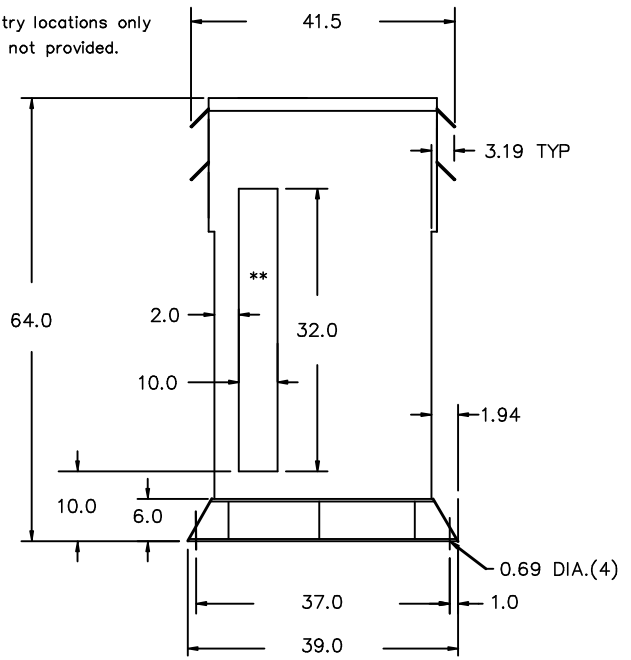
Siemens Industry, Inc.

FRONT VIEW



** - Recommended cable entry locations only
cutouts & gland plates not provided.

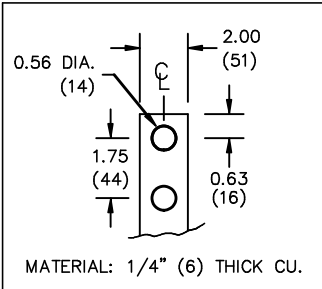
SIDE VIEW



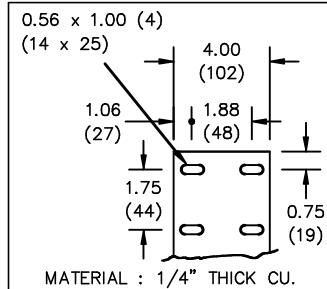
All Dimensions in inches

ENCLOSURE COLOR : ANSI 61 GREY - OUTDOOR

HV TERMINAL DETAIL



LV TERMINAL DETAIL



CUSTOMER NOTES:

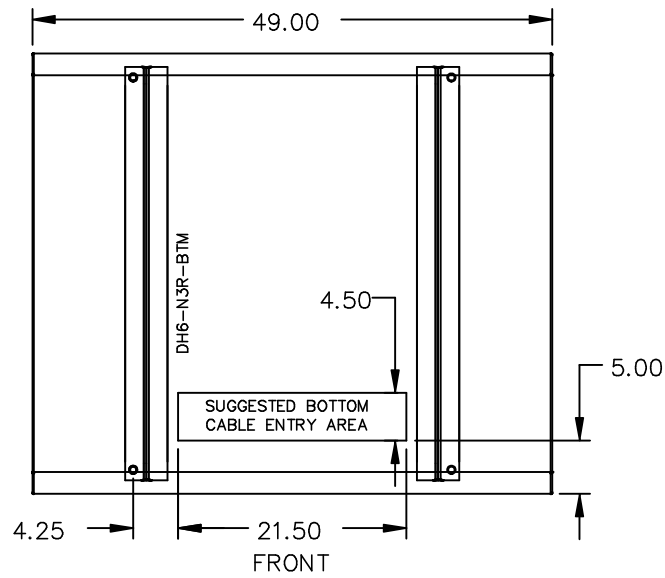
- HV TERMINATED AT TOP FRONT
- LV TERMINATED AT BOTTOM FRONT
- 200% RATED NEUTRAL XO HAS TWO TERMINALS, DIVIDE CABLES EVENLY

Siemens Industry, Inc.

REVISION	DATE	BY	DATE	BY
			18/02/01	RM

CUSTOMER	
ORDER NO.	DWG. NO.
	3F3Y500K4CD16
	SH 2 OF 3

ENCLOSURE BOTTOM VIEW



NOTE:
 WHEN BOTTOM CABLE ENTRY IS OPTED, THE SPACE USED FOR CONDUITS IN THE FRONT OF THE TRANSFORMER SHOULD NOT OBSTRUCT MORE THAN 50% OF THE FRONT AIR INTAKE AREA DEFINED BETWEEN THE BOTTOM PLATE AND THE SUPPORTING LEGS.
 SEE MANUAL FOR ADDITIONAL INFORMATION

Siemens Industry, Inc.

REVISION	DATE	BY	DATE	BY
			18/02/01	RM

CUSTOMER	
ORDER NO.	DWG. NO. 3F3Y500K4CD16
	SH 3 OF 3