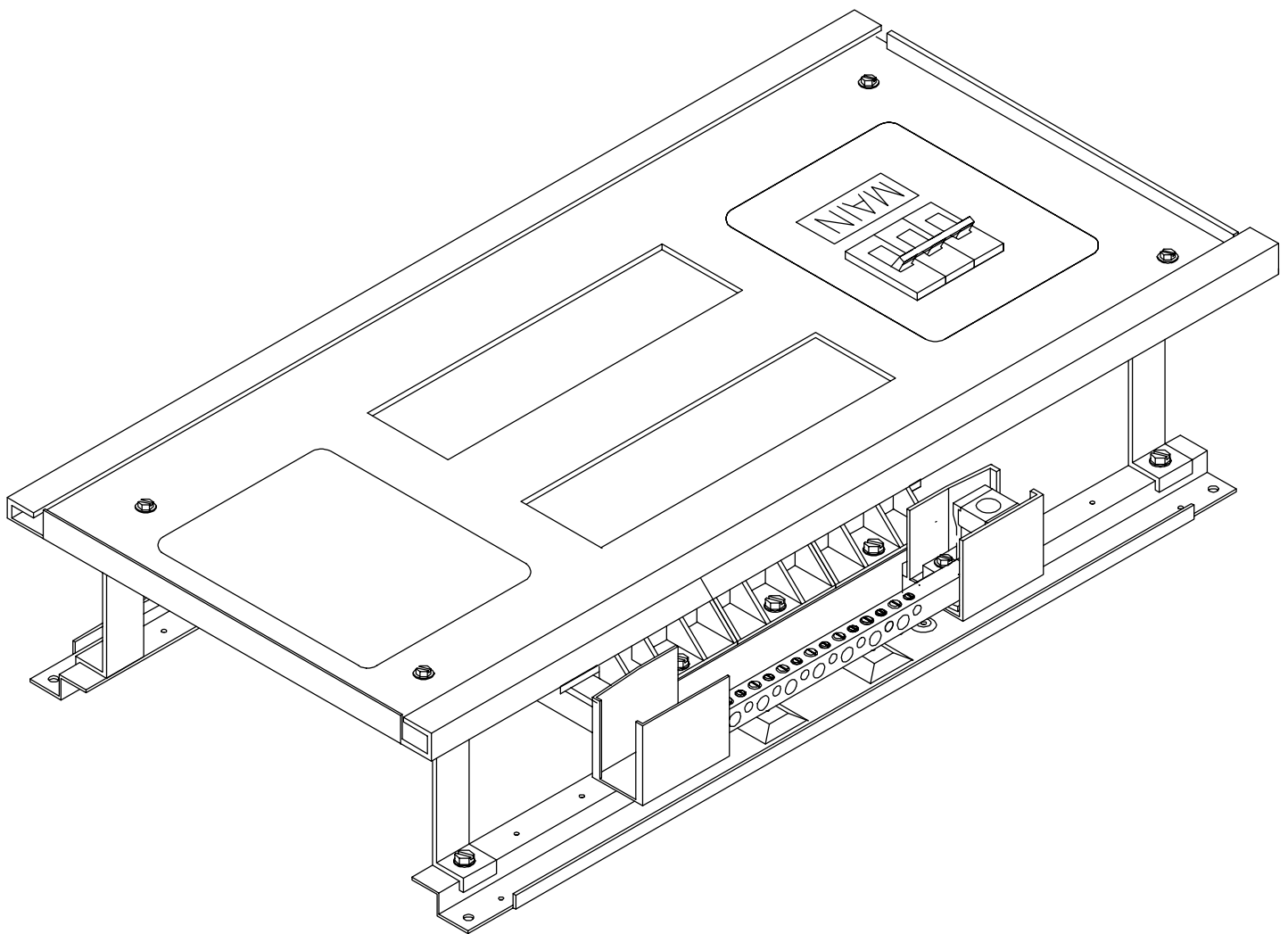
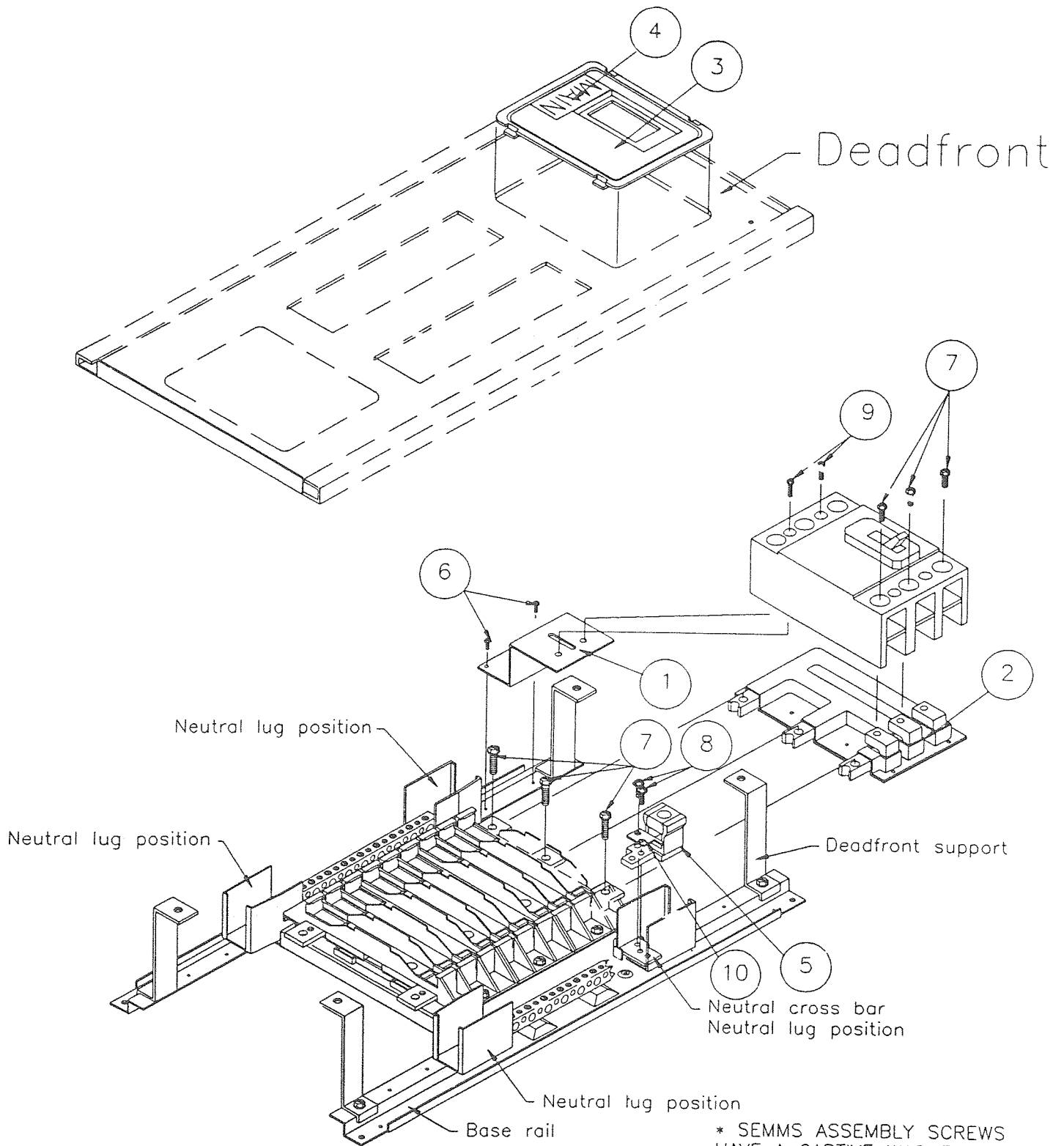


SIEMENS

S1 and P1 Panelboard Kit MBKQJ3 for Main or Subfeed QJ breakers

Installation
Instructions





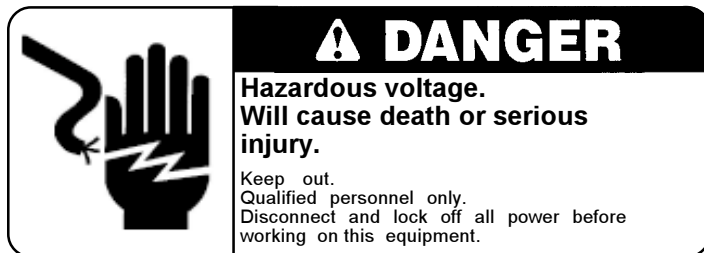
THIS KIT CONTAINS THE FOLLOWING ITEMS

* SEMMS ASSEMBLY SCREWS HAVE A CAPTIVE WASHER ON THE SCREW.

ITEM	DESCRIPTION	QTY.
1	BREAKER SUPPORT	1
2	BREAKER CONNECTOR ASS'Y	1
3	COVER PLATE	1
4	MAIN LABEL	1
5	NEUTRAL LUG ASSEMBLY	1
6	#10-32 SLOTTED HEX WASHER HEAD THREAD FORMING SCREW	2
7	1/4-20 X 1/2 HEX HEAD SEMMS ASSEMBLY MACHINE SCREW *	6
8	#10-24 X 7/16 SLOTTED HEX WASHER HEAD THREAD FORMING SCREW	3
9	1/4-20 X 2 3/8 SLOTTED ROUND HEAD MACHINE SCREW	2
10	ANTI-TURN PLATE	1

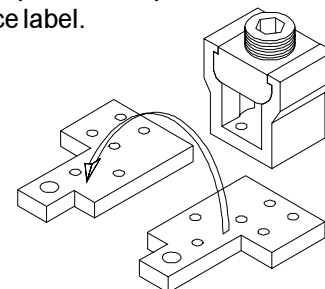
Installation Instructions

The following instructions are for the installation of a Siemens main/subfeed breaker kit for QJ2, QJH2, QJ2-H breakers in S1 and P1 Type panelboards. The kit may be installed as a main or a subfeed in panels rated 250 amps or less. Above 250 amps it may be installed in subfeed applications only. The parts provided in this kit are for connection to a 3 phase 3 or 4 wire system. The breaker is not included with this kit and must be purchased separately. Be sure to choose the appropriate breaker for the system in use. For 3 wire systems disregard the neutral connection.



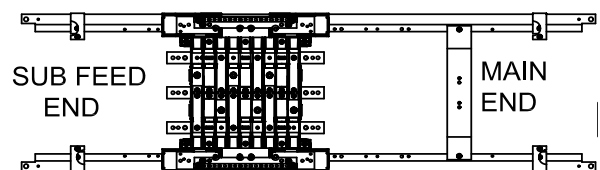
1. **For installation as a main breaker (250A and lower panels only).** Lock off all power supplying equipment before working on it. To install this kit as a main breaker, remove the dead front and main lugs if installed. Place the main breaker connector assembly (item 2) so that the ends of the assembly with the half holes are positioned under the section or main bus. Fasten to the main bus using the 1/4-20 hex head SEMS assembly machine screws (item 7) provided. Take care to see that the half hole engages the anti-turn tab on the underside of the section bus. Do not tighten at this time.
2. Attach the breaker support (item 1) to the base rail using (2) of the #10-32 slotted hex washer head thread forming screws (item 6) provided as shown on page 2.
3. Position the breaker on the breaker support (item 1) and attach with the 1/4-20 round head machine screws (item 9) provided. Connect the breaker to the connector assembly with the 1/4-20 (item 7) slotted hex head SEMS assembly machine screws provided.
4. Torque all connections to the values specified on the installation and maintenance instruction label affixed to the rear of the dead front.
5. Attach main or branch cables to the breaker and torque connections to values specified on the device or if no values are specified on the device refer to the installation and maintenance instruction affixed to the rear of the deadfront of the panel.
6. Remove any insert plate installed in a dead front opening in the area that will cover this kit. If there is no opening, follow the instructions on page 4 to remove the main/subfeed knockout. Install the cover plate (item 3) provided with this kit, from the front of the dead front as shown, by inserting two plate edge tabs into one edge of the cutout and then snapping the other two tabs in place. For main breaker applications, apply the "MAIN" label (item 4) to the cover plate (item 3) as shown.
7. On 4 wire systems the neutral lug (item 5) is required. The neutral lug assembly comes in the kit ready to

assemble on the upper right or the lower left position of the neutral bus. If it is desirable to place the lug at the other corners of the panel, the lug may be disassembled and the lug pad flipped 180 degrees and reassembled. See instructional drawing below. Follow the specified torque values specified on the installation and maintenance label. The lug may be attached to the neutral cross bar at any open corner (Note neutral lug positions on instructional drawing) using the #10-24 slotted hex head thread forming screws (item 8) provided. Assemble the anti-turn plate (item 10) as shown on the instructional drawing. Again follow the specified torque values specified on the installation and maintenance label.



NEUTRAL LUG DETAIL

8. Before energizing the panel insure that all connections have been torqued and the deadfront is installed.
9. **Installation as a subfeed breaker.** Follow steps (1) through (8) except that any subfeed breaker or feed thru lug assemblies existing in the panel be removed. In addition do not install the "Main" label.
10. In panels rated higher than 250A, kits mount only at the end of the interior designated for subfeeds. See reference drawing below. Kit connectors fasten to the end holes in the panel phase bus, the breaker support fastens to the two base rail holes nearest the deadfront support, and the neutral lug, if installed, fastens to the diagonal hole pattern on the neutral lug pad.



400A PI PANELBOARD INTERIOR

DEADFRONT KNOCKOUT REMOVAL INSTRUCTIONS

11. Stand the dead front on the floor with the plate to be removed in the upper position, as shown below. Grasping the upper edge of the dead front, strike the center of the front surface of the knockout plate with a hammer until two of the plate attachment splices are broken.
12. Bend the plate back-and-forth about the two remaining attachments until the plate breaks free.

