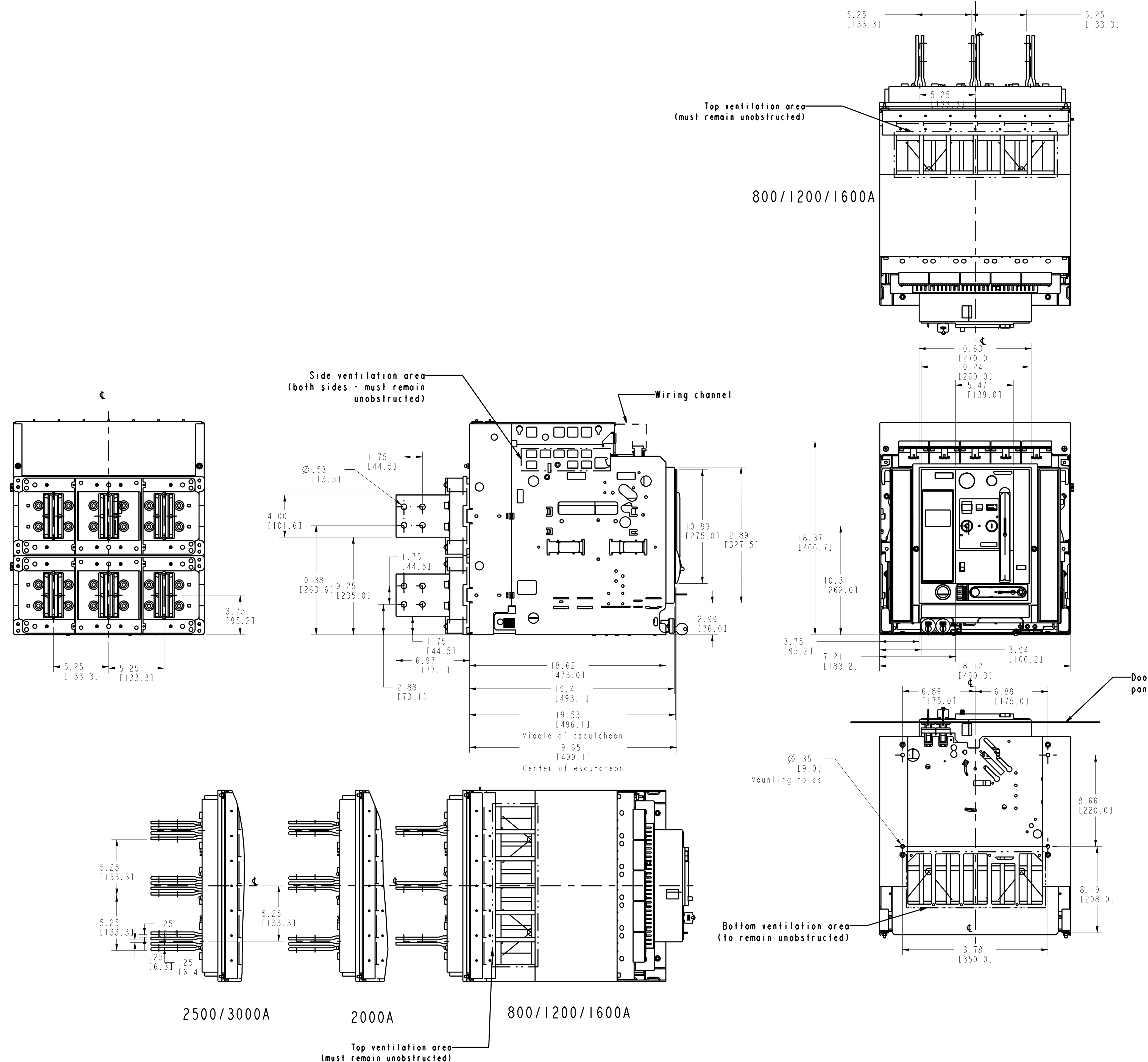


REVISIONS				
REV	ECN/MCR	DESCRIPTION	DATE CHANGED BY	APPROVED BY
OP		INITIAL PRELIMINARY RELEASE	02-13-15	M. Rodr

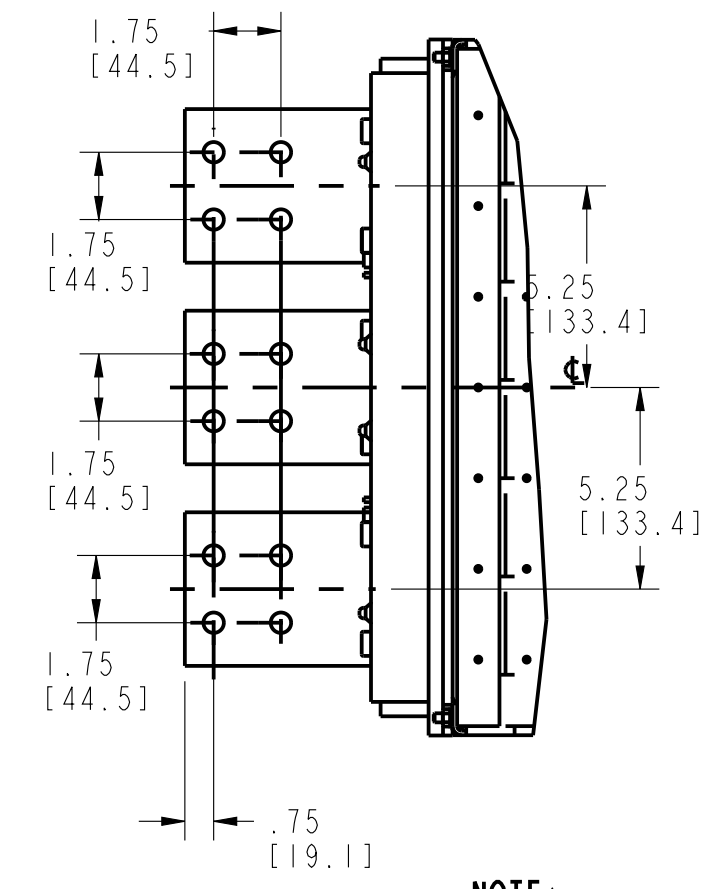


814873	Drawing applicable for the following frames WLS2D308, WLS2D312, WLS2D316, WLS2D320, WLL2D308, WLL2D312, WLL2D316, WLL2D320, WLL2D325, WLL2D330 WLC2D308, WLC2D312, WLC2D316, WLC2D320, WLC2D325, WLC2D330
PART OR IDENTIFYING NO.	MATERIAL/SPECIFICATION

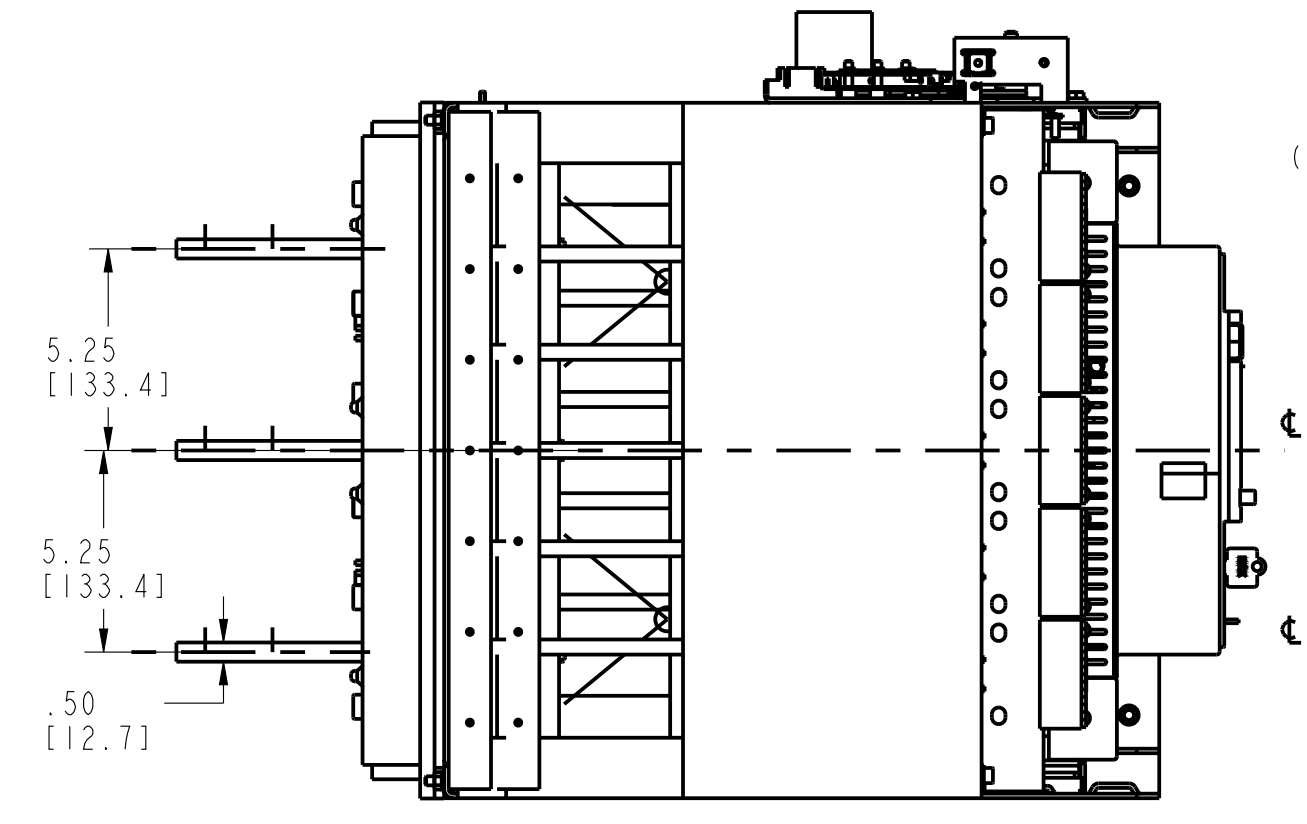
UNLESS OTHERWISE SPECIFIED DIMENSIONS ARE IN INCHES DO NOT SCALE DRAWING				
TOLERANCES: .X1 ± .01 .XXX ± .005 ANGULAR ± 1.00				
Siemens Industry, Inc.				
UL489 FS2 Drawout 3P Class S, L, C				
DWN M. Rodr	DATE 2-12-15	SIZE D	FSCM NO.	DWG NO. 814873
CHK S. Puppala	DATE 2-18-15	SCALE 1:5	PROJ FILE 814873	REV. OP
APVD K. Flowers	DATE 2-20-15	SHEET 1	OF 2	

REVISIONS				
REV	ECN/MCR	DESCRIPTION	DATE CHANGED BY	APPROVED BY
OP		Description of changes see sheet 1		

HORIZONTAL MAIN BUS CONNECTORS

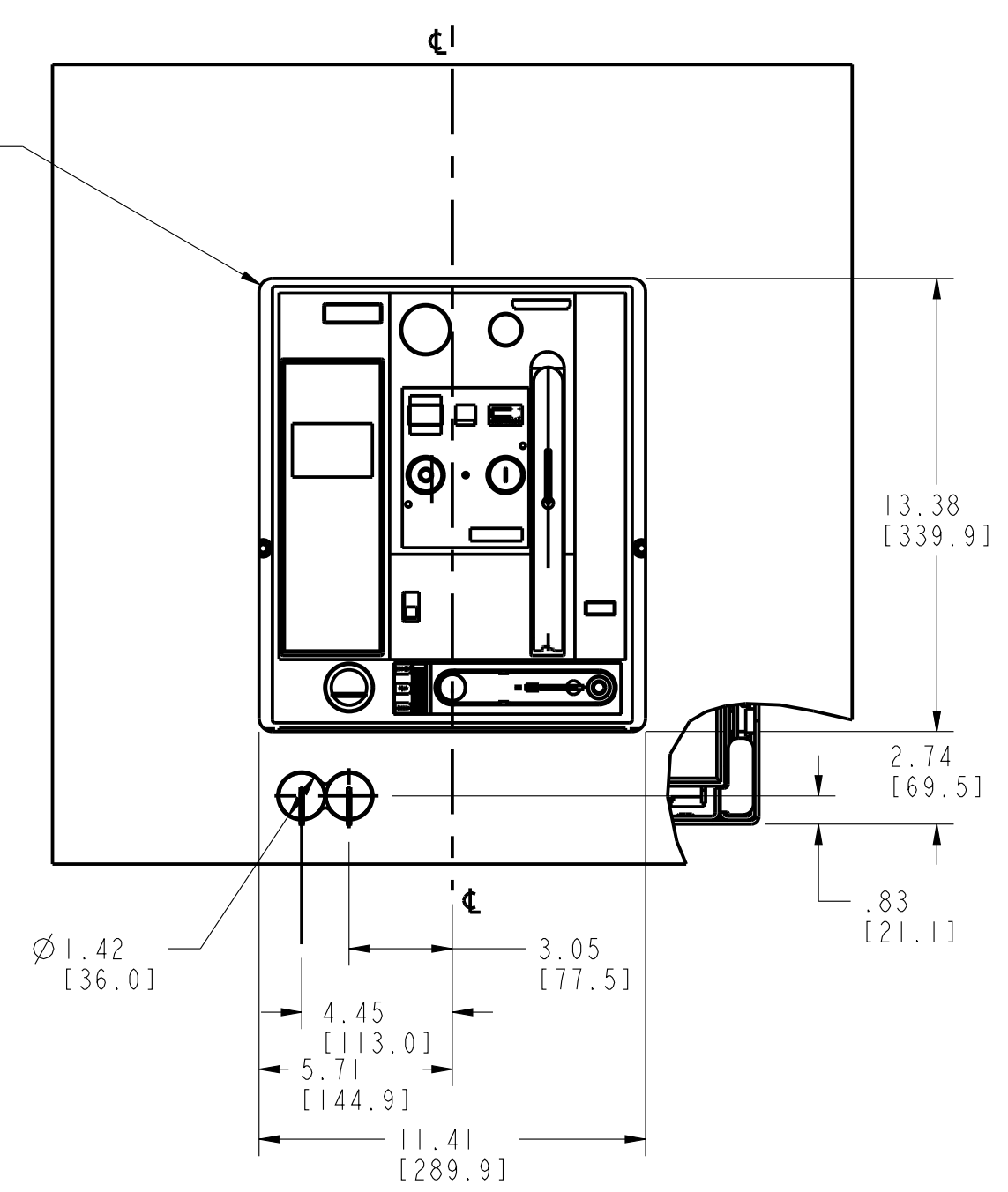


VERTICAL MAIN BUS CONNECTORS

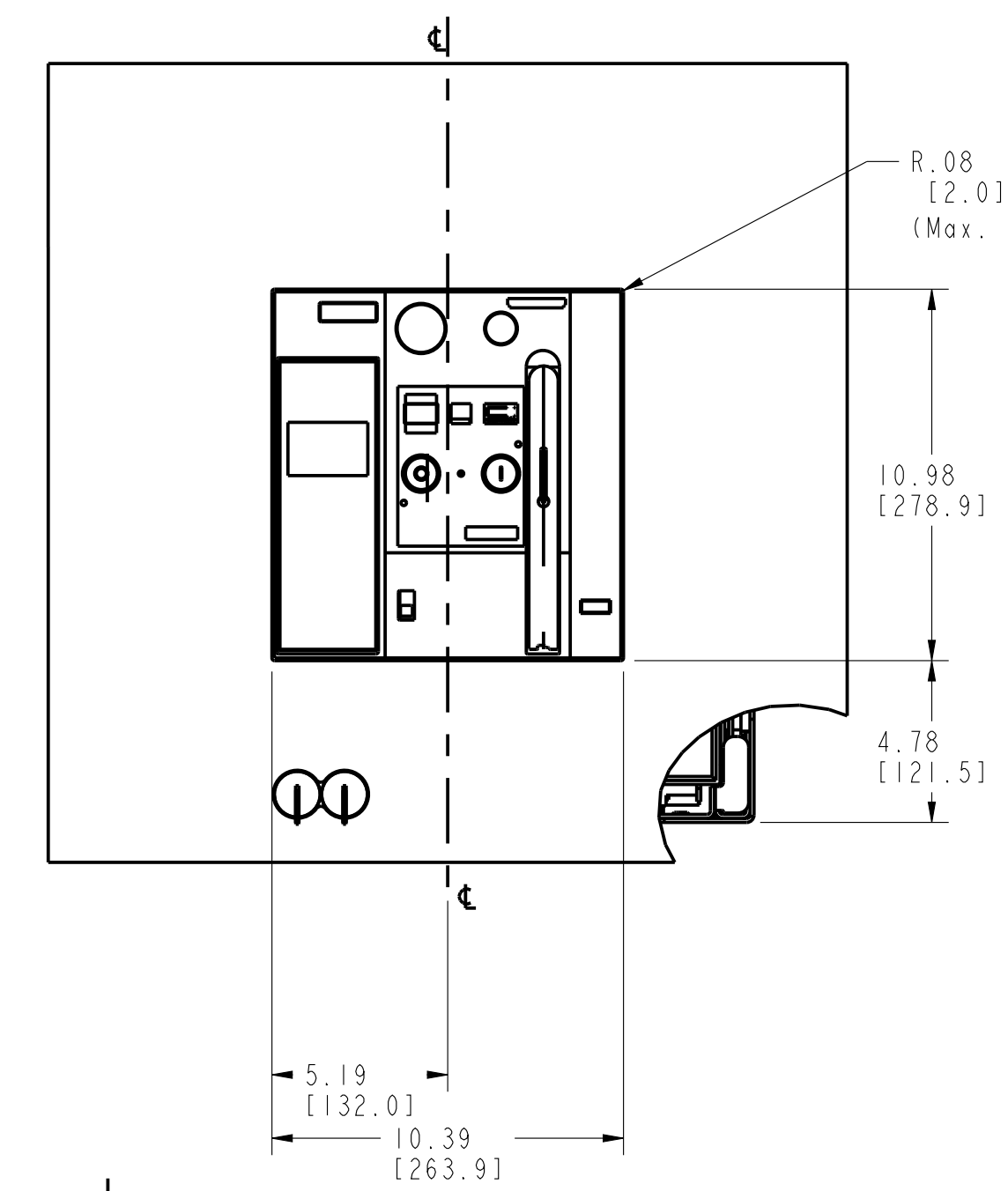


NOTE:
 ROTATABLE MAIN BUS CONNECTORS ARE ONLY AVAILABLE UNDER THE FOLLOWING CONDITIONS:
 (1) ONLY ACCEPTABLE FOR FS2 800A - 2000A FRAME SIZES
 (2) ONLY ACCEPTABLE FOR SHORT CIRCUIT RATINGS OF 85kAIC OR LESS

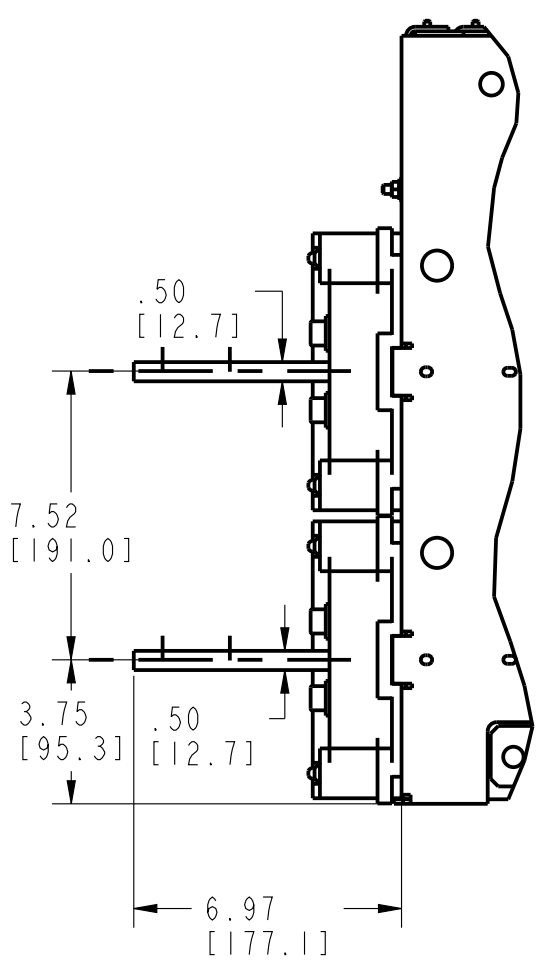
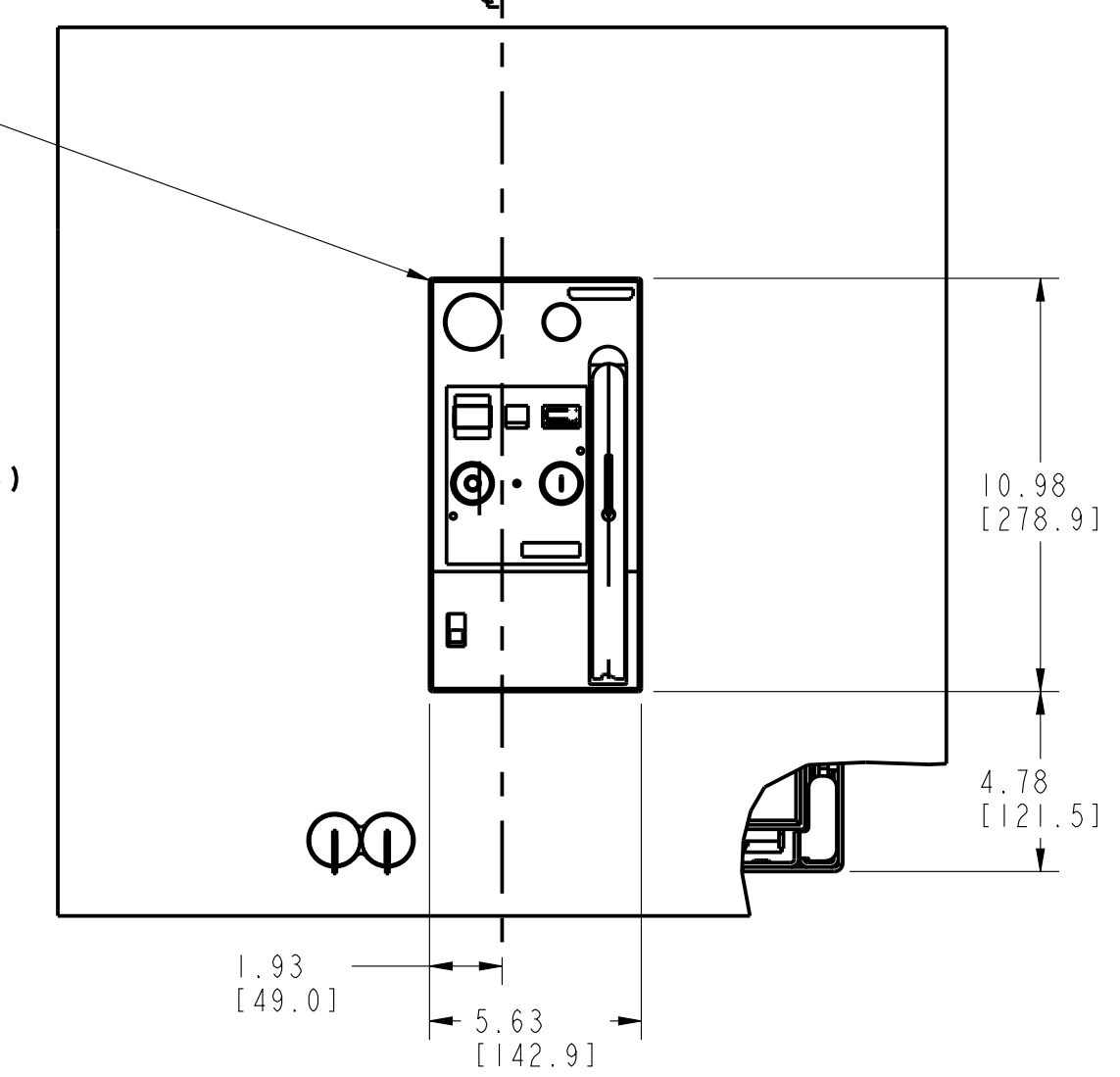
**Door cut-out (with edge protector)
 (Cut-out after mounting edge protector)**



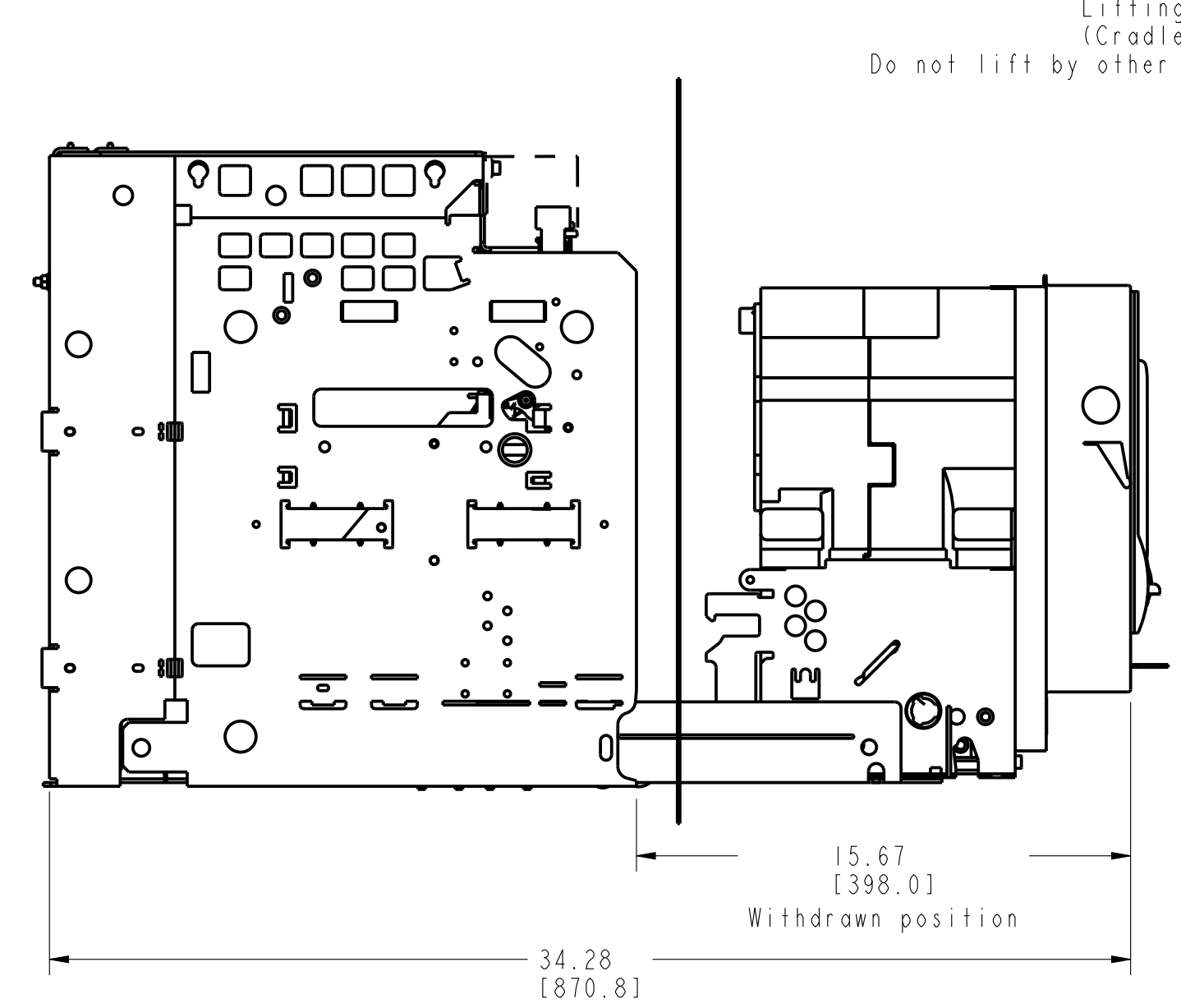
**Door cut-out
 (Middle escutcheon visible)**



**Minimal door cut-out
 (Only center escutcheon visible)**

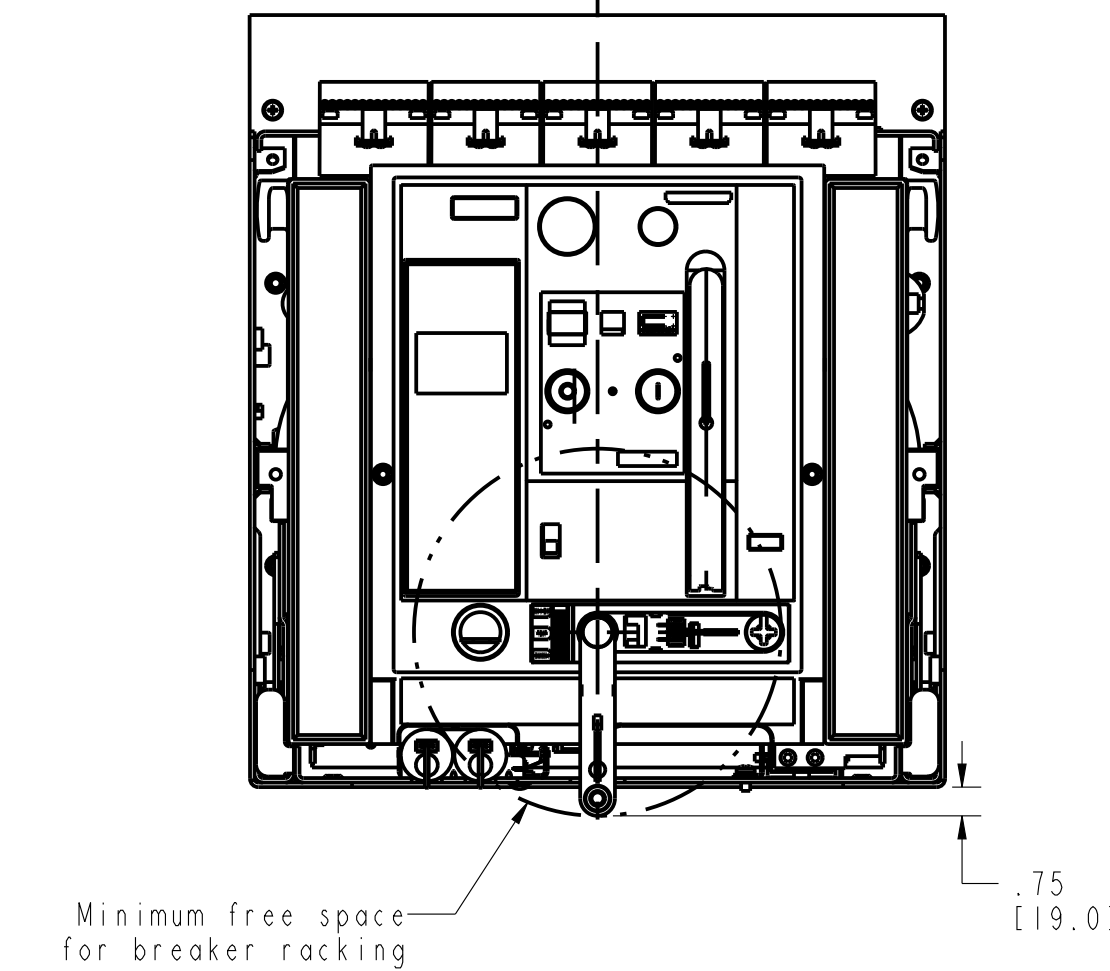
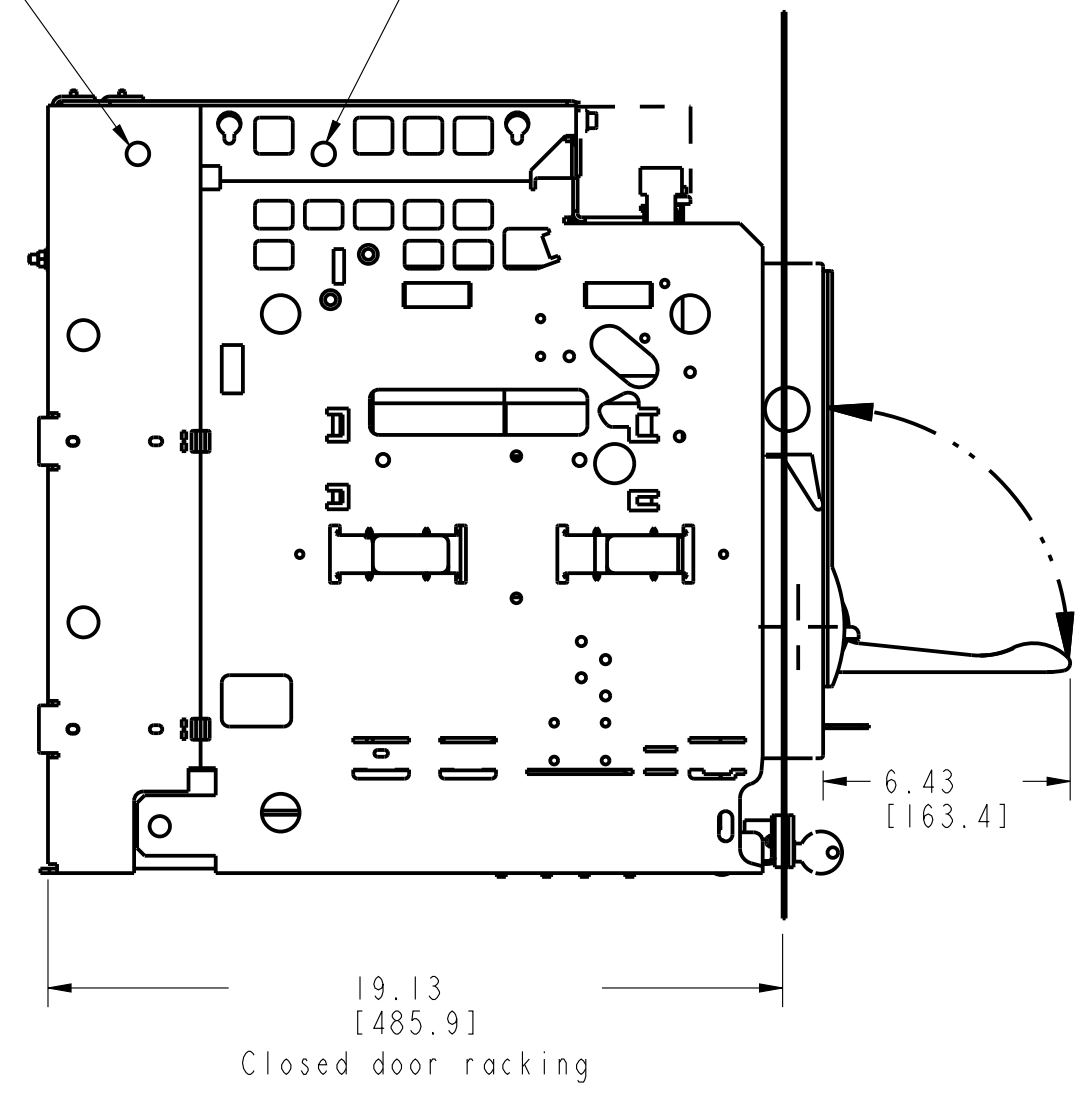


**OPTIONAL BUS CONNECTIONS
 (90° ROTATABLE T-CONNECTOR)**



Lifting Point (Cradle only)
 Do not lift by other points

Lifting Point (Cradle and Breaker)
 Do not lift by other points



814873	Drawing applicable for the following frames WLS2D308, WLS2D312, WLS2D316, WLS2D320, WLL2D308, WLL2D312, WLL2D316, WLL2D320, WLL2D325, WLL2D330 WLC2D308, WLC2D312, WLC2D316, WLC2D320, WLC2D325, WLC2D330			
PART OR IDENTIFYING NO.	MATERIAL/SPECIFICATION			
CONFIDENTIAL - PROPERTY OF Siemens Industry, Inc.				
Siemens Industry, Inc.				
UL489 FS2 Drawout 3P Class S, L, C				
TOLERANCES: .X1 ± .01 .XXX ± .005 ANGULAR ± 1.00				
DWN M. Rodr	DATE 2-9-15	SIZE	FSCM NO.	DWG NO.
CHK S. Puppala	DATE 2-11-15			814873
APVD K. Flowers	DATE 2-13-15	SCALE 1:5	PROJ FILE 814873	REV. OP
			SHEET 2 OF 2	