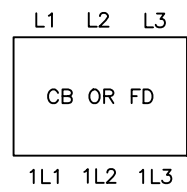
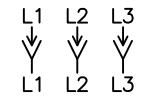
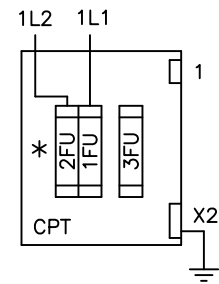
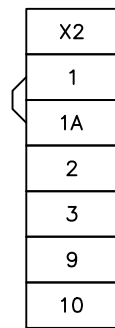
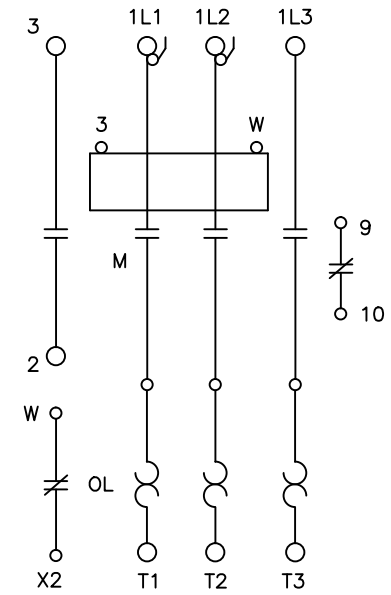


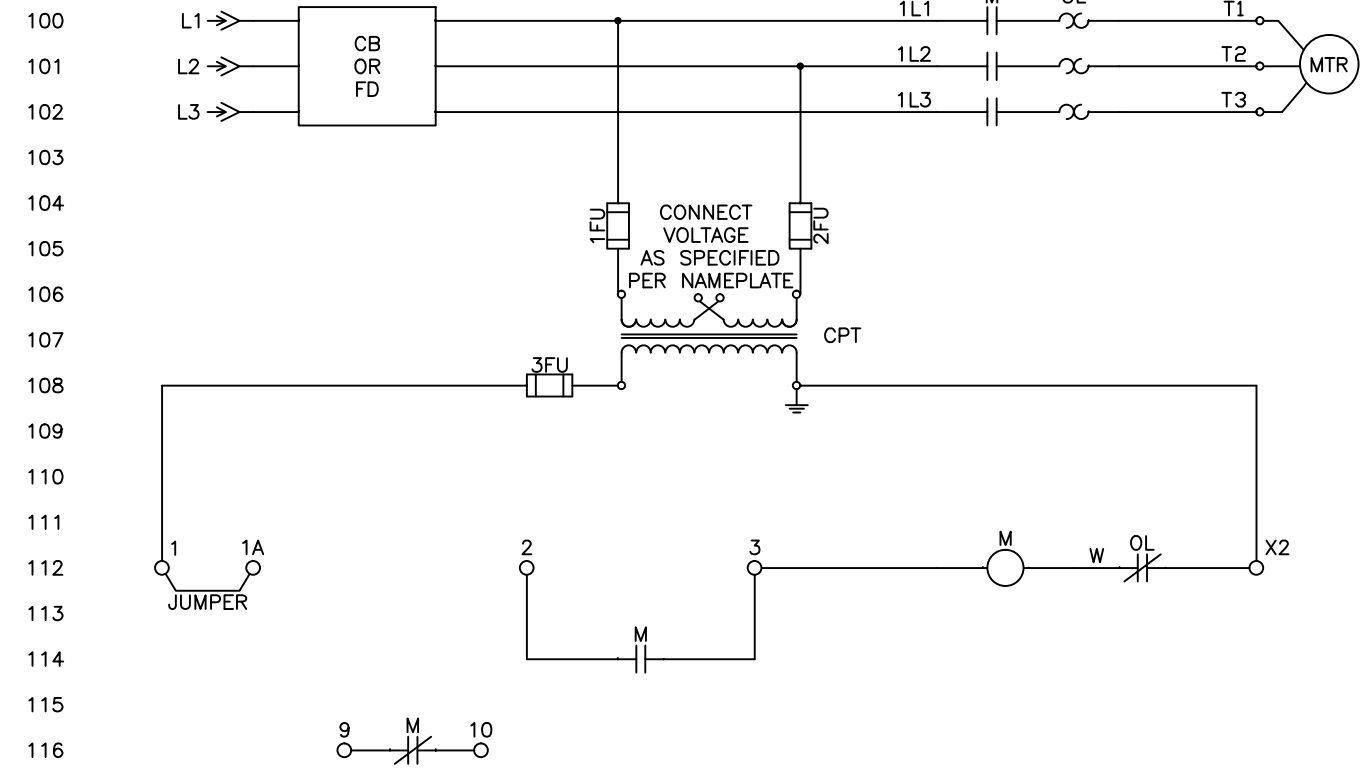
PILOT DEVICES



CONNECTION DIAGRAM



ELEMENTARY DIAGRAM



NOTES:
 A. * CONNECT TRANSFORMER FOR VOLTAGE SPECIFIED PER NAMEPLATE.
 B. WHEN REMOTE CONTROL DEVICES ARE REQUIRED, REMOVE JUMPER FROM TERMINAL 1 TO 1A.

A) RELEASED FOR PRODUCTION ECN39565 GAA 2-16-04			

DATE: 2-16-04	DRAWN BY: GAA	TITLE: SIZE 0-1 3/4 FVNR
Siemens Energy & Automation, Inc. West Chicago, IL 60185-1655		CHKD BY: GAA
		APPRD BY: GAA
This print is the confidential property of Siemens Energy & Automation, Inc. It is not to be used or reproduced in any manner, nor submitted to any other parties for examination without prior approval of Siemens Energy & Automation, Inc.		DWG. NO. D68601010
		REV. A
		F/N: STYLE:
		SHEET # 1