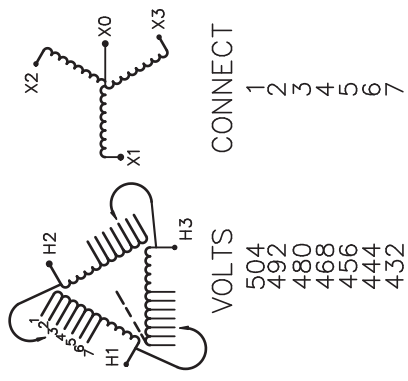




REVISION	DATE	BY	DATE	BY
			16/04/01	PP
			CHEK'D	
1	CHANGED IMP.& TOT.WEIGHT:	16/08/03	RM	VERIF'D

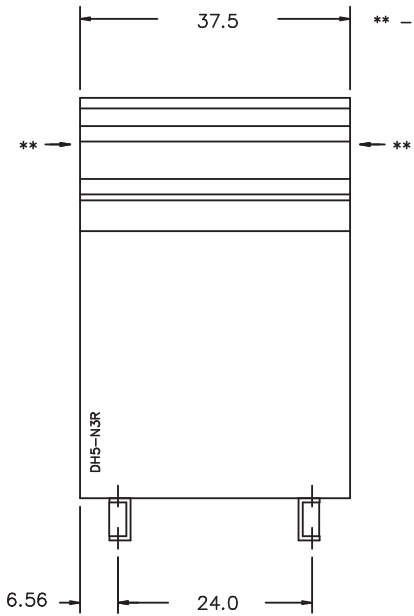
Confidential - Property of Siemens Industry, Inc.		
CUSTOMER	ORDER NO.	DWG. NO.
		3F3Y225K4BCD16
		1
		SH 1 OF 2

SIEMENS

CATALOG NO. 3F3Y225K4BCD16 SERIAL NO. SERIES H 225 kVA 60 Hz 3 PHASE 4.3 % IMP AT 100 °C 80 °C RISE 30 °C AVG. AMBIENT 220 °C TEMP CLASS 40 °C MAX. AMBIENT PRIMARY (H1 H2 H3) 480 V 10 kV BIL SECONDARY(X0 X1 X2 X3) 208Y/120 V 10 kV BIL WINDING MATERIAL CU ENCLOSURE TYPE 3R WEIGHT 2050LBS ENERGY EFFICIENCY EXCEEDS CSA 802.2-2012 DOE 10 CFR PART 431:2016	 <table border="1" style="margin-left: auto; margin-right: auto;"> <tr> <td>VOLTS</td> <td>504</td> <td>492</td> <td>480</td> <td>468</td> <td>456</td> <td>444</td> <td>432</td> </tr> <tr> <td>CONNECT</td> <td>1</td> <td>2</td> <td>3</td> <td>4</td> <td>5</td> <td>6</td> <td>7</td> </tr> </table>	VOLTS	504	492	480	468	456	444	432	CONNECT	1	2	3	4	5	6	7	TYPE K  LISTED  LR 3902 DRY TYPE TRANSFORMER E112313 SEISMIC QUALIFICATIONS, FLOOR MOUNT ONLY OSP-0136-10 IBC 2012/ASCE 7-10 SDS<=2.0g z/h=1 p=1.5
VOLTS	504	492	480	468	456	444	432											
CONNECT	1	2	3	4	5	6	7											
SPACINGS BETWEEN ANY VENTILATED ENCLOSURE PANEL AND ANY ADJACENT WALL SHALL BE A MINIMUM OF 5 INCHES EXCEPT WHEN WALL MOUNTED USING APPROVED WALL MOUNTING KIT ELECTROSTATIC SHIELD		SUITABLE FOR NONSINUSOIDAL CURRENT LOAD WITH K-FACTOR NOT TO EXCEED K-4 SUITABLE FOR INDOOR OR OUTDOOR LOCATIONS BEFORE HANDLING, INSTALLING AND OPERATING; SEE INSTRUCTION MANUAL NEMA Class ANN Dry Type Transformer Siemens Industry, Inc. Norcross, GA dsu0087e																

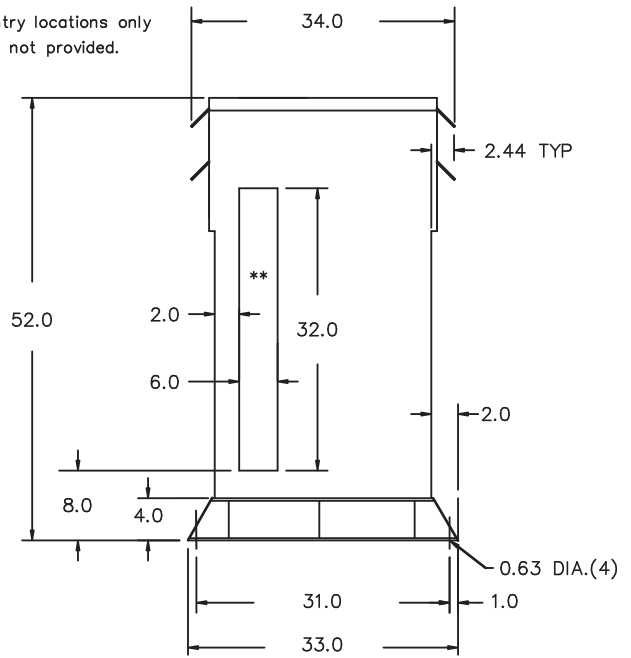


FRONT VIEW



** - Recommended cable entry locations only
cutouts & gland plates not provided.

SIDE VIEW



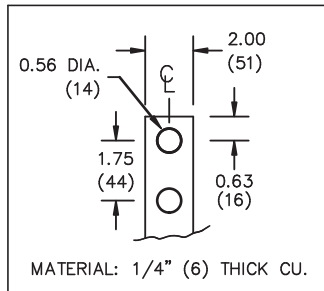
All Dimensions in inches

ENCLOSURE COLOR : ANSI 61 GREY - OUTDOOR

H.V.1. TERMINAL DETAIL

L.V.1. TERMINAL DETAIL

MECHANICAL TYPE LUGS INCLUDED
SUITABLE FOR 350MCM-6 CU/AL
CONDUCTORS
2 CONDUCTORS PER PHASE



CUSTOMER NOTES:

- HV1 TERMINATED AT TOP FRONT
- LV1 TERMINATED AT BOTTOM FRONT
- 2 X 100% RATED NEUTRAL PROVIDED

Confidential - Property of
Siemens Industry, Inc.

REVISION	DATE	BY	DATE	BY
			16/04/01	PP
1	16/08/03	RM		

CUSTOMER		
ORDER NO.	DWG. NO.	1
	3F3Y225K4BCD16	SH 2 OF 2

1:1 rmova 2016/08/03 15:30