

# SIEMENS

## P2 & P3 Panelboard Kit DFFP6 For Dead Front Coverage of a 6" Unallocated Branch Space

### Installation Instructions

The following instructions are for the installation of a blank plate on the dead front of a P2 or a P3 panelboard to cover a 6" portion of branch unit space having no installed branches or provisions.



**⚠ DANGER**

**Hazardous voltage.  
Will cause death or  
serious injury.**

Keep out.  
Qualified personnel only.  
Disconnect and lock off all  
power before working on this  
equipment.

1. Lock off power supplying this equipment before working on it.

3. With the dead front in its installed position, identify the area to be covered by this kit. The distances from the installed plate to the next full width plate above or below must be a multiple of 3" (0", 3", 6", 9", etc.).

#### THIS KIT CONTAINS THE FOLLOWING ITEMS

| ITEM # | DESCRIPTION                       | QTY. |
|--------|-----------------------------------|------|
| 1      | P2 6" Blank Dead Front Plate      | 1    |
| 2      | P3 6" Blank Dead Front Plate      | 1    |
| 3      | 8-32 X 9/32" Self-threading Screw | 4    |

Refer to Figure 1. - Position the plate on the dead front and fasten it with four 8-32 screws, as shown. Tighten the screws to the torque specification on the back of the dead front.

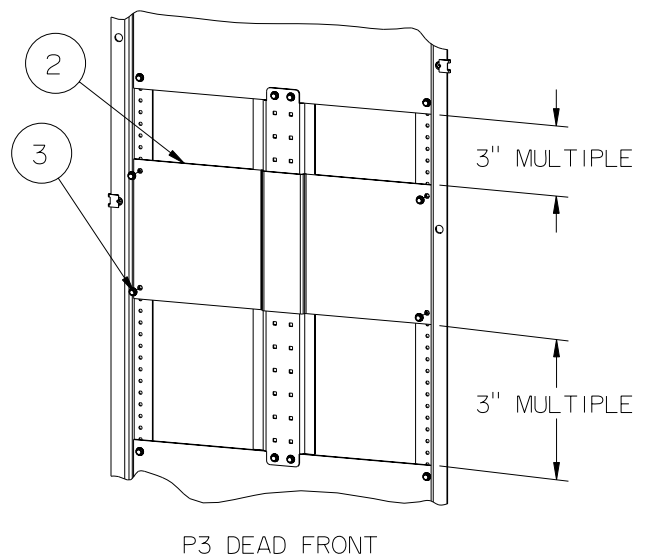
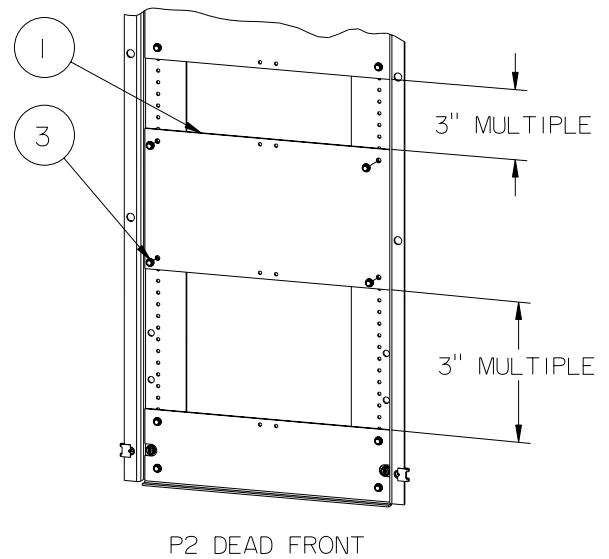


Figure 1