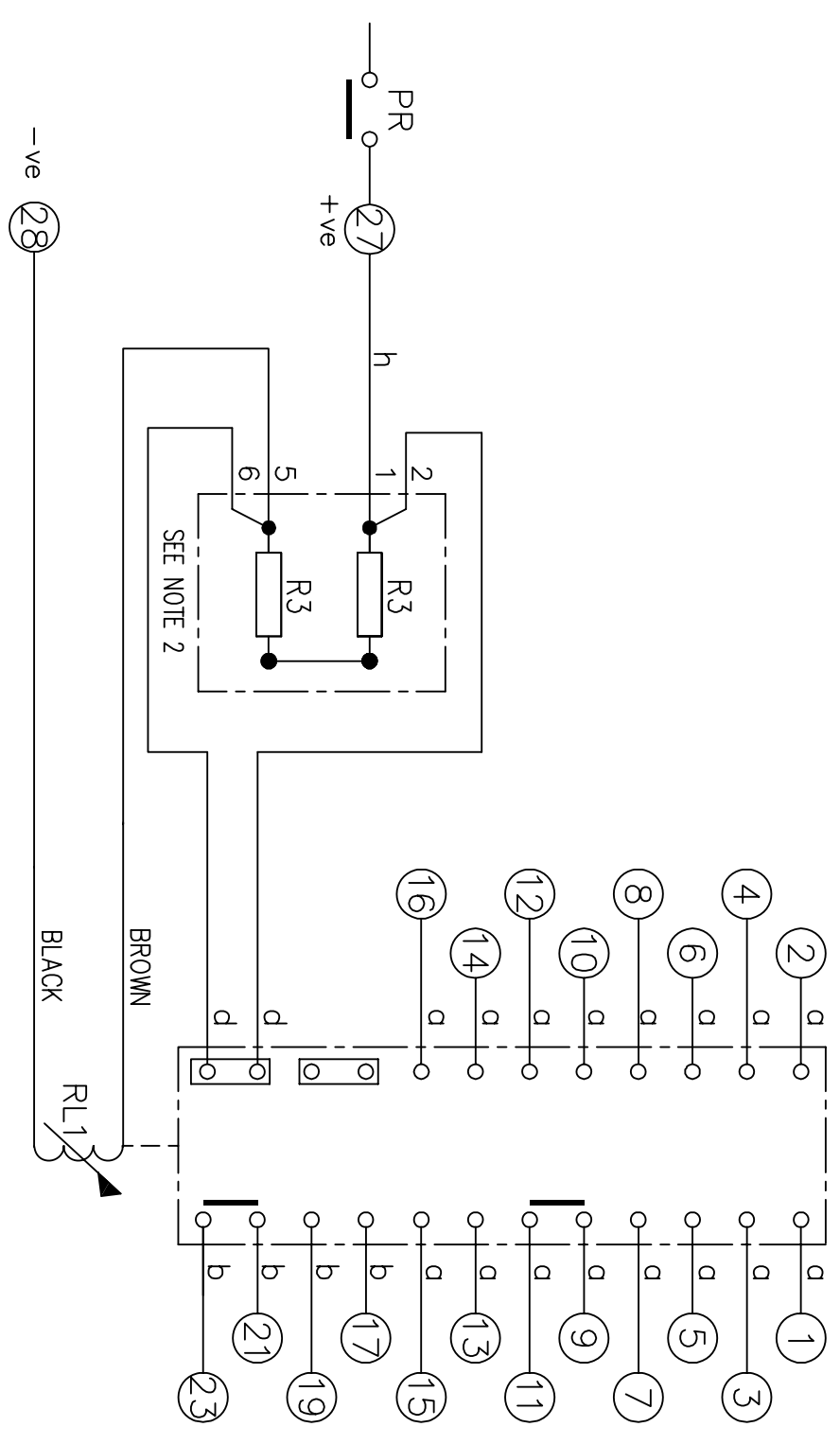
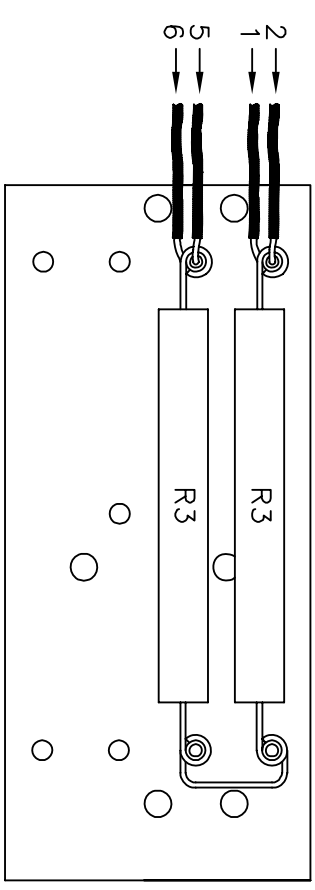


IF IN DOUBT ASK
DO NOT SCALE

RESISTOR ASSEMBLY AND WIRE INDICATION.



NOT SUBJECT TO UPDATE
ONCE COPIED / PRINTED
OR DOWNLOADED

NOTE:
1. CONTACT CONFIGURATION ABOVE IS REQUIRED FOR RELAY OPERATION.
FOR DETAILS OF VARIABLE CONTACT OPTIONS SEE TABLE BELOW
2. WIRE NUMBERS ARE ASSOCIATED WITH RESISTOR ASSEMBLIES OPPOSITE.

ASSEMBLY WIRES USED			
a	2107B10001	16 OFF	
b	2107B10002	4 OFF	
d	2107B10004	2 OFF	
h	2107D10166	1 OFF	VDC

FRAME REFERENCE: E2FAQM.
FRAME TERMINAL BLOCK ASSY: -
ASSEMBLY INSTRUCTIONS: -
TYPICAL ASSEMBLY DRAWING 2995G10032.
AT INDICATED POSITIONS FIT AS FOLLOWS:
T - FIT TRIP ISOLATION CONTACT 2995B10053
S - FIT STANDARD CONTACT 2995B10054
SECURE CONTACTS USING FIXING SCREW 2109F99009.
POSITIONS SHOWN BLANK ARE UNUSED

VIEW FROM NUMBERED SIDE OF BLOCK	2	4	6	8	10	12	14	16	18	20	22	24	26	28
T	T	T	T	T	T	T	T	T	T	T	T	T	T	T
S	S	S	S	S	S	S	S	S	S	S	S	S	S	S

OUTER TERMINAL BLOCK ASSY: -
ASSEMBLY INSTRUCTIONS: -
TYPICAL ASSEMBLY DRAWING 2995G10029.
AT INDICATED POSITIONS FIT AS FOLLOWS:
S - FIT STANDARD CONTACT 2995B10051
HC - FIT 'HEAVY CURRENT' KIT 2995G10030
WHERE - IS SHOWN FIT CT SHORTING KIT 2995G10031
POSITIONS SHOWN BLANK ARE UNUSED.
ALL POSITIONS FIT SCREW 2106F12506.

VIEW FROM INSIDE CASE	2	4	6	8	10	12	14	16	18	20	22	24	26	28
S	S	S	S	S	S	S	S	S	S	S	S	S	S	S
S	S	S	S	S	S	S	S	S	S	S	S	S	S	S

CONTACT CONFIG.	1-3	2-4	5-7	6-8	9-11	10-12	13-15	14-16	17-19	21-23
10M	M	M	M	M	M	M	M	M	M	M
9M	M	B	M	M	M	M	M	M	M	M
8M	B	B	M	M	M	M	M	M	M	M
7M	B	B	B	M	M	M	M	M	M	M
6M	B	B	B	B	M	M	M	M	M	M
5M	B	B	B	B	B	M	M	M	M	M
4M	B	B	B	B	B	B	M	M	M	M
3M	B	B	B	B	B	B	B	M	M	M
2M	B	B	B	B	B	B	B	B	M	M

IF IN DOUBT ASK
Printed on
04/05/2020 Date

MATERIAL:

Dimensions in millimetres : Surface texture in micrometres.

Machine where marked ✓
For explanation of dimensions, tolerances, notes etc. see B.S.308.
Limit on untoleranced unmachined dimensions ±
Limits on untoleranced machined dimensions to B.S.4500:
i.e. up to 6±0.1; over 30 to 120±0.3; over 315±0.8;
over 6 to 30±0.2; over 120 to 315±0.5;
General unmachined angular tolerance ±

Title:

T.B. AND WIRING DIAG. FOR TR212-10 CONTACT
30V RELAY IN EPSILON E2 CASE

SIEMENS PROTECTION DEVICES LTD.

Copyright © 2012 Siemens Protection Devices Ltd. Hebburn

First used on:

Similar Articles: 2112W50210

Supersedes:

Drq. No.

2112W50213

ISSUE	DATE	NOTED
1	02/02/12	CHANGE
2	26/07/13	MNS3658/112 JB