

RECIPROCATING PRODUCTS

11-ESH

Reciprocating Process Compressor

The Dresser-Rand business, part of Siemens Power and Gas (PG) Division ESH reciprocating process compressor provides an economical solution where limited space and continuous, low-volume service is a requirement. Its proven performance, versatile design, and wide range of cylinder selections make the ESH an obvious choice for a variety of applications.

Versatility and Performance

Our 11-inch (279 mm) stroke ESH single-throw, reciprocating compressor is designed for long-term, process gas service. Built in accordance with API-618 specifications.

Whether direct-connected or belt-driven, the ESH can handle a variety of drivers up to 250 hp (186 kW) and can be fitted with either lubricated or non-lubricated cylinders from 2.125 to 28 inches (54 to 711 mm) in bore diameter. The ESH is also available in a vertical arrangement that greatly reduces the foundation size and area. In its vertical configuration, the "ESV" provides significant advantage where space may be limited.

Designed and Built with Precision

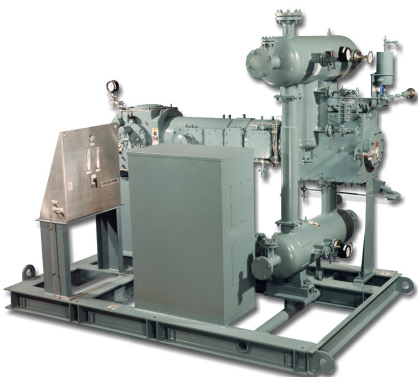
With its fine-grain, cast iron frame, the ESH is engineered to provide the required support for the running gear and related components. The rigid frame design and counterweighted crankshaft minimize vibration and provide for low moments and minimal foundation requirements. Forged from high tensile strength alloy steel, the crankshaft is fully stress relieved

and heat-treated. The bearing journals and crankpin are ground with precision and polished to meet exacting tolerances.

Rugged, precision-machined aluminum main and crankpin bearings are generously sized for best run-in and long-lasting service. All bearings are force-lubricated per API-618 specifications. Connecting rods are die-forged steel with rifle-drilled passages for positive lubrication of the crosshead pin and bushing. The standard crossheads are nodular iron, equipped with adjustable aluminum shoes at the top and bottom. Cast steel crossheads are also available.

Outstanding Cylinder Design and Selection

With experience in virtually every type of service, our cylinders provide outstanding service and reliability. Our engineering expertise ensures that each cylinder provides maximum performance and reliability with minimum maintenance cost. Cylinder materials include cast iron, nodular iron, cast steel, fabricated carbon or stainless steel, and forged steel. Most cylinders are available for either lubricated or non-lubricated service.



Experience That Counts

The ESH compressor is world renowned for its dependable service and steadfast reliability in a wide variety of process applications. With more than 1,300 units shipped for use in various applications around the world, the Dresser-Rand business ESH process compressor is an excellent choice where low volume requirements demand reliable operation.

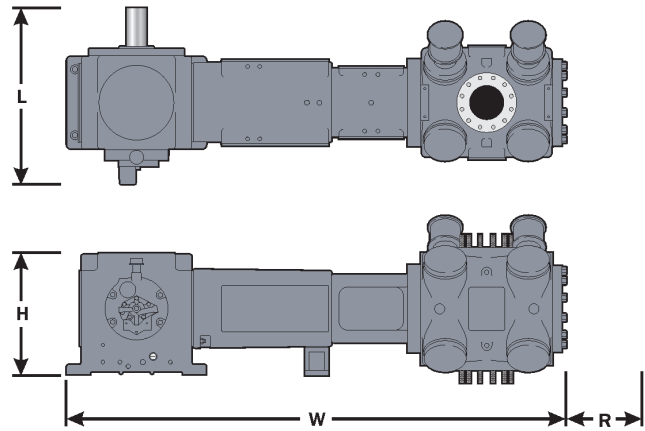
Dimensions

Dimensions provided are typical, and are basis API Type B distance pieces. For API Types C & D distance pieces, add 9 inches (23 cm) to both the width dimension, and the rod removal distance.

11-ESH Typical Dimension - Inches (Centimeters)				
Model	R	W	H	L
ESH	61 (155)	125 (318)	30 (76)	40 (102)
ESV	61 (155)	33 (84)	125 (318)	40 (102)

Specifications

Maximum HP	250 (186 kW)
Standard Strokes	11 inch (279 mm), 9 inch (229 mm)
Number of Throws	1
Cylinder Bore Range Standard Double-Acting	2.125 to 28 inches (54 to 711 mm)



For a complete list of products and services, visit dresser-rand.com or contact the following:

Dresser-Rand Reciprocating Operations

100 Chemung Street
Painted Post, NY 14870 USA
Tel: (Int'l +1) 607-937-2011
Fax: (Int'l +1) 607-937-2905

Corporate Headquarters

Dresser-Rand
West Memorial Place 1
15375 Memorial Drive, Suite 700
Houston, Texas 77079 USA
Tel: (Int'l +1) 713-354-6100
Fax: (Int'l +1) 713-354-5822

Regional Headquarters

The Americas
West Memorial Place 1
15375 Memorial Drive, Suite 700
Houston, Texas 77079 USA
Tel: (Int'l +1) 713-354-6100
Fax: (Int'l +1) 713-354-5822

EMEA
(Europe, Middle East & Africa)
Dresser-Rand S.A.
31 Boulevard Winston Churchill
Cedex 7013
Le Havre 76080, France
Tel: (Int'l +33) 2-35-25-5225
Fax: (Int'l +33) 2-35-25-5366/5367

Asia-Pacific
Dresser-Rand Asia Pacific Sdn Bhd
Unit 9-4, 9th Floor
Bangunan Malaysian Re
17 Lorong Dungun
Damansara Heights
50490 Kuala Lumpur, Malaysia
Tel: (Int'l +60) 3-2093-6633
Fax: (Int'l +60) 3-2093-2622

This brochure comprises a general overview of the Dresser-Rand business products described herein. It is solely for informational purposes, does not represent a warranty or guarantee of the information contained herein, and is not to be construed as an offer to sell or solicitation to buy. Contact Dresser-Rand business for detailed design and engineering information suitable to your specific applications. Dresser-Rand business reserves the right to modify its products and related product information at any time without prior notice.